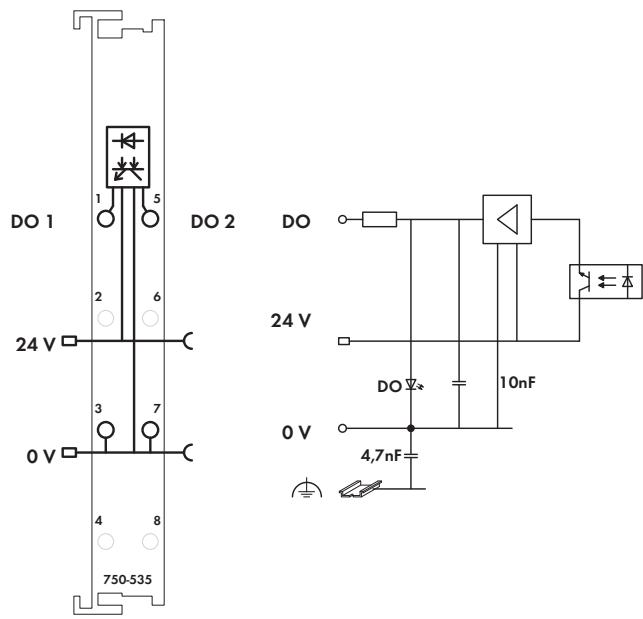
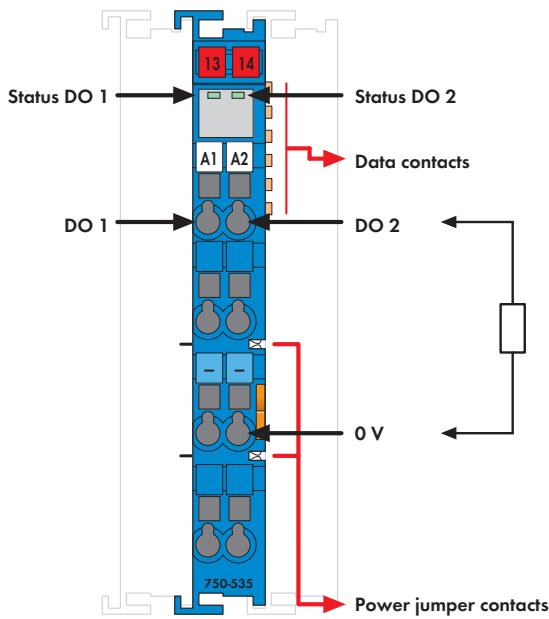


# 2-Channel Digital Output Module DC 24 V, Ex i

short-circuit protected; PNP-positive switching



Delivery without Mini WSB marker

The digital output module directly controls 2 actuators operating in hazardous environments of Zone 1, such as intrinsically safe magnetic valves. The WAGO-I/O-SYSTEM 750 has to be installed in Zone 2 or in non-hazardous environments.


All outputs are electronically short-circuit-protected. Indicators:

- Green LED (output status)

Each output is electrically isolated from the bus by use of optocouplers.

**Note:**

Only use the digital input module in connection with the 24 V DC Ex i 750-625 Supply Module (note the power supply instructions on page 27)! General information (e.g. installation regulations) on explosion protection is available in the WAGO-I/O-SYSTEM 750 manuals!

Description	Item no.	Pack. unit
<b>2DO 24V DC Ex i</b>	<b>750-535</b>	<b>1</b>
Accessories	Item no.	Pack. unit
 Miniature WSB quick marking system, plain with marking	248-501	5
	see pages 256 ... 257	
Explosion Protection		
Ex directive	94 / 9 / EG; EN 50014, EN 50020, EN 60079-0, EN 60079-15	
Marking	Ⓜ II 3 (2) GD Ex nA [ib] IIC / IIB T4	
Electric circuit, safety relevant data	V <sub>0</sub> = 27.3 V; I <sub>0</sub> = 106 mA; P <sub>0</sub> = 723 mW; Characteristic: Linear	
Intrinsically safe Ex ib IIB	L <sub>0</sub> = 12 mH; C <sub>0</sub> = 680 nF	
Intrinsically safe Ex ib IIC	L <sub>0</sub> = 3 mH; C <sub>0</sub> = 88 nF	
Intrinsically safe	without consideration of the simultaneousness; with consideration of the simultaneousness see manual	
Standards, Guidelines and Approvals		
EC EMC guideline	89 / 336 / EWG	
EC low voltage guideline	73 / 23 / EWG	
EN 50020	Ⓜ II 3 (2) GD Ex nA [ib] IIC / IIB T4	
Conformity marking	CE	
UL 508		
ANSI/ISA 12.12.01	Class I, Div. 2, Grp. ABCD, T4	
EN 60079-15	I M2 / II 3 GD Ex nA IIC T4	
Marine applications	see "Approvals Overview" in section 1	

Technical Data	
No. of outputs	2
Current consumption typ. (internal)	7 mA
Voltage via power jumper contacts	Supply via DC 24.7 V Ex i supply module (750-625)
Type of load	resistive, inductive, lamps
Max. switching frequency	1 kHz
Output data	DC 24 V, R <sub>i</sub> = 285 Ω
Current consumption typ. (field side)	8.5 mA / module + load
Power consumption P (max.)	2.1 W (with an output current of 40 mA)
Power loss P <sub>v</sub>	1.1 W (with an output current of 40 mA)
Isolation	375 V system/supply
Internal bit width	2 bits
Wire connection	CAGE CLAMP®
Cross sections	0.08 mm <sup>2</sup> ... 2.5 mm <sup>2</sup> / AWG 28 ... 14
Stripped lengths	8 ... 9 mm / 0.33 in
Width	12 mm
Weight	48.5 g
EMC CE-Immunity to interference	acc. to EN 61000-6-2 (1999)
EMC CE-Emission of interference	acc. to EN 61000-6-4 (2002)
EMC marine applications -	
Immunity to interference	acc. to Germanischer Lloyd (2003)
EMC marine applications -	
Emission of interference	acc. to Germanischer Lloyd (2003)