

8-Channel Digital Input Module PROFI-safe V2 iPar

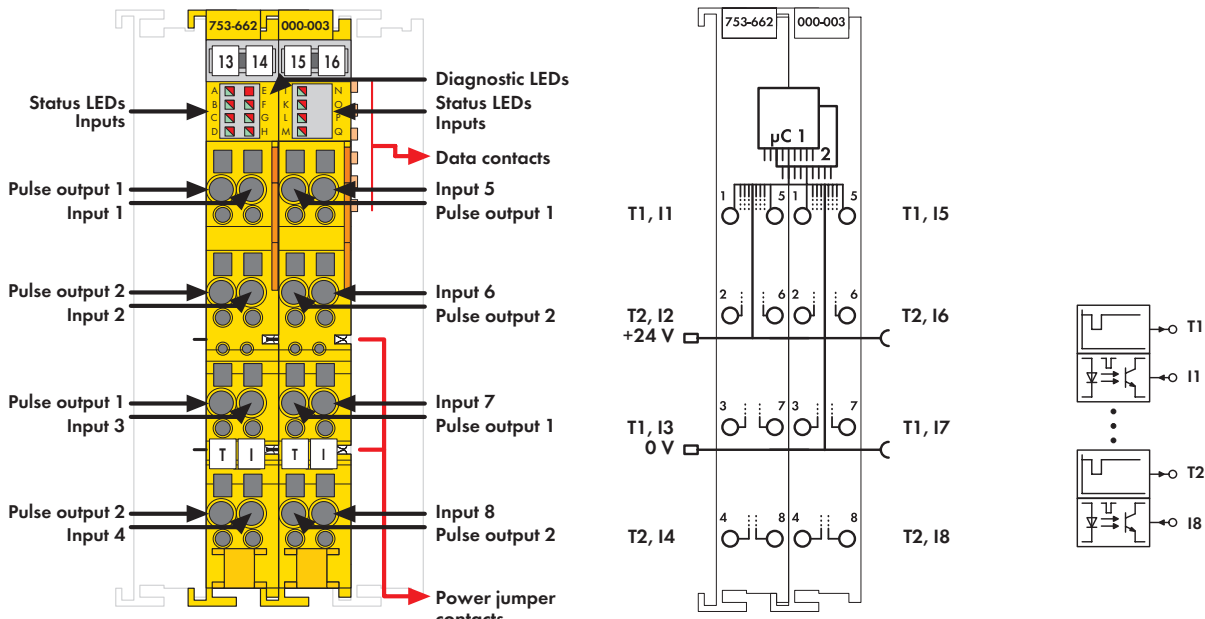


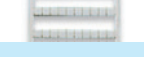




Fig. 753 Series/Delivered without miniature WSB markers

Both 750-662/000-003 and 753-662/000-003 PROFI-safe Input Modules connect potential-free, emergency-off switches with contacts, protection door switches, mode selectors, safety sensors and semiconductor outputs. The module provides 8 clock sensitive inputs (I1-I8) fed via 2 differently clocked outputs (T1-T2); clock outputs are short-circuit protected. Inputs are continually monitored for cross circuits and voltage supply from separate sources. Additional safety relevant parameters (e.g., operating modes, switching off test pulses, discrepancy or filter times) can be configured via WAGO-I/O-CHECK. The configuration tool can be conveniently integrated into engineering systems supporting both CC2 and CC3 tool calling interfaces (TCI). When exchanging modules, parameters are automatically downloaded into the control unit via PROFI-safe-compatible iPar - server, depending on settings. The PROFI-safe address can be set using the DIP switch located on the side of the module, or via WAGO-I/O-CHECK.

The modules support both PROFI-safe V1 (PROFI-BUS) and V2 (PROFI-BUS, PROFINET) protocols. An optocoupler provides electrical isolation between the bus and the field side. Individual I/O modules can be arranged in any combination when configuring the field-bus node.

To protect the module against surge voltages (over-voltage protection acc. to IEC 61000-4-5), the 750-626 filter module or an external surge filter must be used to filter the 24V supply voltage. Reference the product manual for further information (available in German and English).

Description	Item No.	Pack. Unit
8FDI 24V PROFI-safe V2 iPar (without connector)	753-662/000-003	1
8FDI 24V PROFI-safe V2 iPar	750-662/000-003	1
Accessories		
 753 Series connector	753-120	25
 Coding elements	753-150	100
Miniature WSB Quick marking system		
 plain	248-501	5
 with marking	see pages 304 ... 305	
Standards and Approvals		
750 and 753 Series		
Safety standards	IEC 61508;	
	IEC 62061;	
	EN 954-1;	
	EN ISO 13849	
Conformity marking	CE	
 UL 508		

Technical Data	
Inputs:	
Sensor inputs	I1 ... I8; clock sensitive to T1 ... T2
	Type 1 acc. to IEC61131
Input current (typ.)	2.2 mA
Input frequency (max.)	50 Hz
General specifications:	
Achievable safety classes	Cat. 4, SIL 3, PL e
Voltage supply	5 V system voltage via internal bus
	24 V via power jumper contacts
Voltage via power jumper contacts	24 V DC (20.4 V ... 28.8 V)
Current consumption typ. (internal)	148 mA
Current consumption typ. (field side)	20 mA
Wire connection	CAGE CLAMP®
Cross sections	0.08 mm² ... 2.5 mm² / AWG 28 ... 14
Stripped lengths, 750/753 Series	8 ... 9 mm / 0.33 in
	9 ... 10 mm / 0.37 in
Width	24 mm
Weight	90 g
EMC CE-Immunity to interference	acc. to EN 61000-6-2 (2005)
EMC CE-Emission of interference	acc. to EN 61000-6-4 (2007)