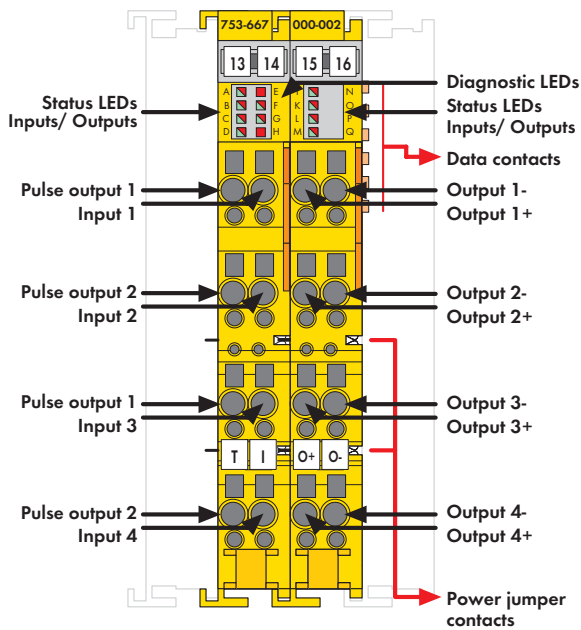
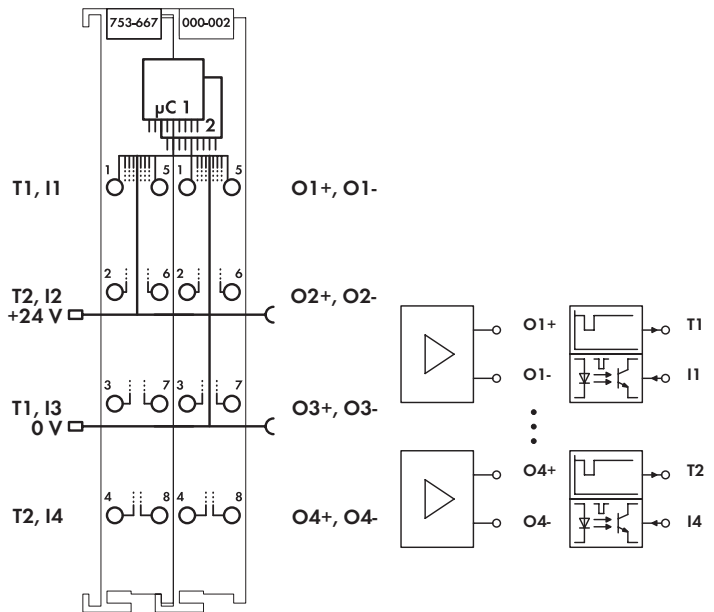


# 4/4-Channel Digital Input and Output Module PROFIsafe V2.0



Delivered without miniature WSB markers



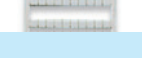

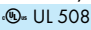


The 753-667/000-002 Module has 4 power outputs (O1-O4) as well as 4 clock sensitive inputs (I1-I4). The sensors can be supplied directly with 24V or fed by 2 differently clocked outputs (T1-T2). The inputs can connect to potential-free emergency stop buttons with contacts, safety interlock switches, operating mode switches and other safety sensors or semiconductor outputs (e.g. light barriers, PLC outputs). The power outputs switch both DC13 resistive and inductive loads with up to a 2A-rated current without an additional external circuit.

The module monitors: short-circuits, cross circuits and 24V voltage supply from separate sources. Both the monitoring and additional safety relevant parameters (e.g. test pulse lengths, discrepancy and filter times) can be configured via WAGO-I/O-CHECK.

The bi-color LEDs on the module monitor the status of inputs and outputs, internal/external errors, PROFIsafe status and configuration. The PROFIsafe address can be set using the DIP switch on the side of the module, or via WAGO-I/O-CHECK. The module supports both the PROFIsafe V1.3 (PROFIBUS) and V2.0 (PROFIBUS, PROFINET) protocols. Any input module configuration is possible when designing the fieldbus node.

**To protect the module against surge voltages (overvoltage protection acc. to IEC 61004-5), the 750-626 Filter Module or an external surge filter must be used to filter the 24V supply voltage. Reference the product manual for further information.**

Description	Item No.	Pack. Unit
4FDI/4FDO 24V/2A PROFIsafe V2 (without connector)	753-667/000-002	1
<b>Accessories</b>		
 753 Series connector	753-120	25
 Coding elements	753-150	100
 Miniature WSB Quick marking system plain	248-501	5
 Miniature WSB Quick marking system with marking	see pages 304 ... 305	
<b>Standards and Approvals</b>		
750 and 753 Series		
Safety standards	IEC 61508; IEC 62061; EN 954-1; EN ISO 13849	
Conformity marking	CE	
 UL 508		

Technical Data	
<b>Inputs</b>	
Sensor inputs	I1 ... I4; clock sensitive to T1 ... T2 Type 1 acc. to IEC61131
Input current (typ.)	2.2 mA
Input frequency (max.)	4 Hz
<b>Outputs</b>	
Power outputs	O1 ... O4; power outputs for actuators
Output current (per channel)	max. 2 A
Total output current	max. 4 A
Switching frequency (max.)	resistive load = 50 Hz; inductive load = 0.1 Hz
Capacitive load for each channel	O1 ... O4; 2 nF
Test pulse length	0 ms ... 500 ms
<b>General Specifications</b>	
Achievable safety classes	Cat. 4, SIL 3, PL e
Voltage supply	5 V system voltage via internal bus 24 V via power jumper contacts
Voltage via power jumper contacts	24 V DC (20.4 V ... 28.8 V, -15% ... +20%)
Current consumption typ. (internal)	147 mA
Current consumption typ. (field side)	40 mA + charge
Wire connection	CAGE CLAMP®
Cross sections	0.08 mm² ... 2.5 mm² / AWG 28 ... 14
Stripped lengths	9 ... 10 mm / 0.37 in
Width	24 mm
Weight	51 g
EMC CE-Immunity to interference	acc. to EN 61000-6-2 (2005)
EMC CE-Emission of interference	acc. to EN 61000-6-4 (2007)