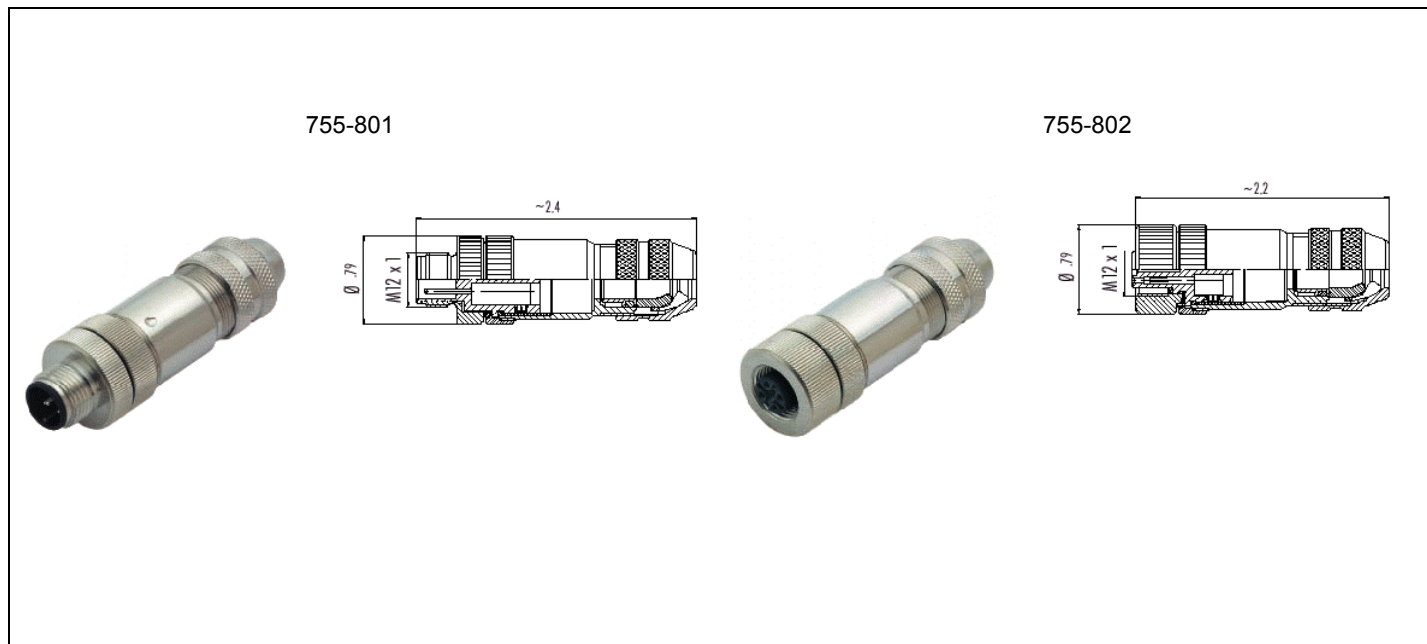


Installation instructions

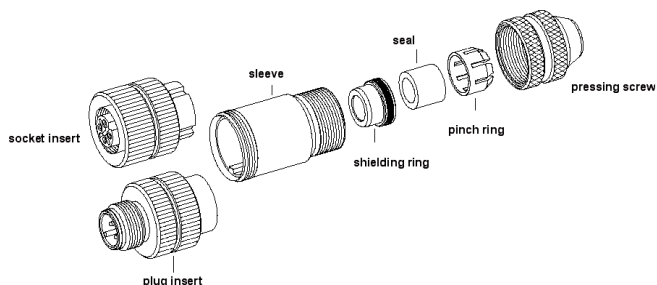
1/1

PROFIBUS-Connector

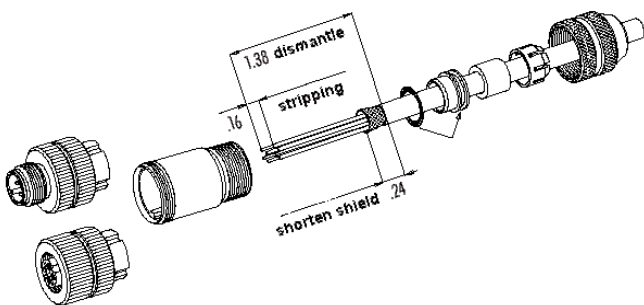
Data sheet


Description	Item-No.	Pack.-unit pcs
M12 PROFIBUS plug, 5-pole screw clamp connection	755-801	1
M12 PROFIBUS socket, 5-pole screw clamp connection	755-802	1

Components



Assembly instruction



Technical Data

Electrical Data:

Rated voltage	125 V
Rated surge voltage	1500 V
Pollution degree	3
Overvoltage categorie	II
Material group	III
Test voltage	1750 V
Rated current (40 °C)	4 A
Contact resistance	≤ 8 mΩ acc. to IEC 512 Part 2
Insulation resistance	≥ 10 ¹⁰ Ω

Mechanical data:

Number of poles	5 (B-coded)
Locking system	Screw M12x1
Termination	Screw; shield is clamped 360 °
Wire gauge	0.25 – 0.75 mm ² ; max. AWG 18
Cable outlet	Ø 6 – 8 mm
Degree of protection	IP 67
Mechanical life	>500 mating cycles
Operating temperature	-40 °C...+85 °C

Material:

Pin contact	CuZn (brass)
Socket contact	CuSn (bronze)
Contact plating cable part	CuSnZn (optaloy)
Contact plating flange part	Au (gold)
Plug	PUR / PA66 (UL 94 HB)
Socket	PUR / PA66 (UL 94 HB)
Housing cable connector	CuZn nickel plated