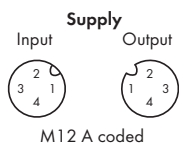
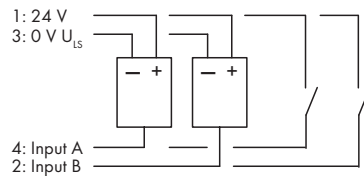
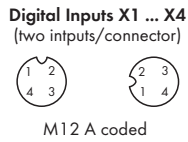
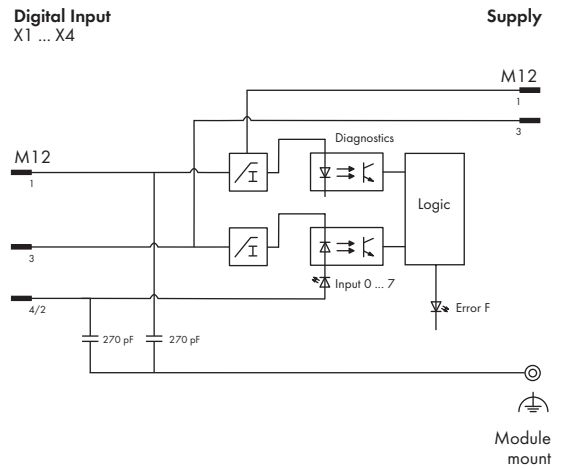


1: RD+/TD+
 2: RD-/TD-
 3: TD-/RD-
 4: TD+/RD+
 5: GND
 Housing: Shield



1: 24 V U_{IS}
 2: 24 V U_A
 3: 0 V U_{IS}
 4: 0 V U_A

Block diagram of an input



Technical Data

Input characteristic:

Input voltage	Typical input current
-30 V DC < U_{IN} < 0 V DC	0
5 V	2.4 mA
11 V	6.4 mA
24 V	7.3 mA
30 V	7.4 mA

System bus:

Connection type (3)	M12 connectors, B coded, 5 poles, shielded
---------------------	--

Standards and approvals:

Conformity marking	CE
Korea Certification	K
UL 508	
BVS 15 ATEX E 098 X	II 3G Ex nA IIC T5 Gc, II 3D Ex tc IIIB T90°C Dc
IECEx BVS 15.0083X	Ex nA IIC T5 Gc, Ex tc IIIB T90°C Dc

Technical Data

Isolation:

Channel - Channel	No
U_{IS} , U_A system bus	500 V DC each

Configurable functions:

Input filter (per channel)	0.1 / 0.5 / 3 / 15 / 20 ms/ filter off
Inversion (per channel)	On/off
Online simulation (per channel)	Lock/unlock, simulation value: 0/1
Online simulation (per module)	Diagnostics

I/O diagnostics:

I/O diagnostics (per module)	Short circuit/overload of sensor supply Undervoltage (U_{IS} + U_A)
------------------------------	--

Process image:

Process data width	1-byte data + status
--------------------	----------------------

LED indicators:

SB: System bus status	LED (green/red/orange)
F: Error status	LED (red)
0 ... 7: Input signal status	LED (yellow)
U_{IS} + U_A : Supply status	LED (green)
Indicators	Non-latching

General Specifications

Dimensions (mm) W x H x L	50 x 35.7 x 117
Weight	282 g