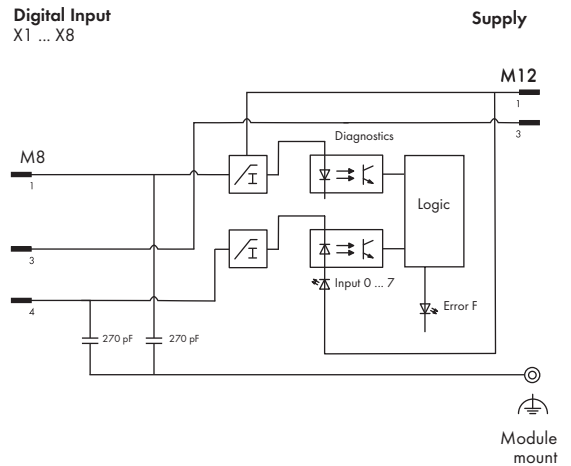


Block diagram of an input



Technical Data

Input characteristic:

Input voltage	Typical input current
U_{IN}	0mA
$U_{IN} - 5V$	2.2 mA
$U_{IN} - 11V$	6.1 mA ... 6.3 mA
$-3 V < U_{IN} < 0 V$	7mA

System bus:

Connection type (3)	M12 connectors, B coded, 5 poles, shielded
---------------------	--

Standards and approvals:

Conformity marking	CE
Korea Certification	
UL 508	
BVS 15 ATEX E 098 X	II 3G Ex nA IIC T5 Gc, II 3D Ex tc IIIB T90°C Dc
IECEx BVS 15.0083X	Ex nA IIC T5 Gc, Ex tc IIIB T90°C Dc

Technical Data

Isolation:

Channel - Channel	No
U_{IS} , U_{A} system bus	500 V DC each

Configurable functions:

Input filter (per channel)	0.1 / 0.5 / 3 / 15 / 20 ms / filter off
Inversion (per channel)	On/off
Online simulation (per channel)	Lock/unlock, simulation value: 0/1
Online simulation (per module)	Diagnostics

I/O diagnostics:

I/O diagnostics (per module)	Short circuit/overload of sensor supply Undervoltage ($U_{IS} + U_{A}$)
------------------------------	--

Process image:

Process data width	1-byte data + status
--------------------	----------------------

LED indicators:

SB: System bus status	LED (green/red/orange)
F: Error status	LED (red)
0 ... 7: Input signal status	LED (yellow)
$U_{IS} + U_{A}$: Supply status	LED (green)
Indicators	Non-latching

General Specifications

Dimensions (mm) W x H x L	50 x 35.7 x 117
Weight	270 g