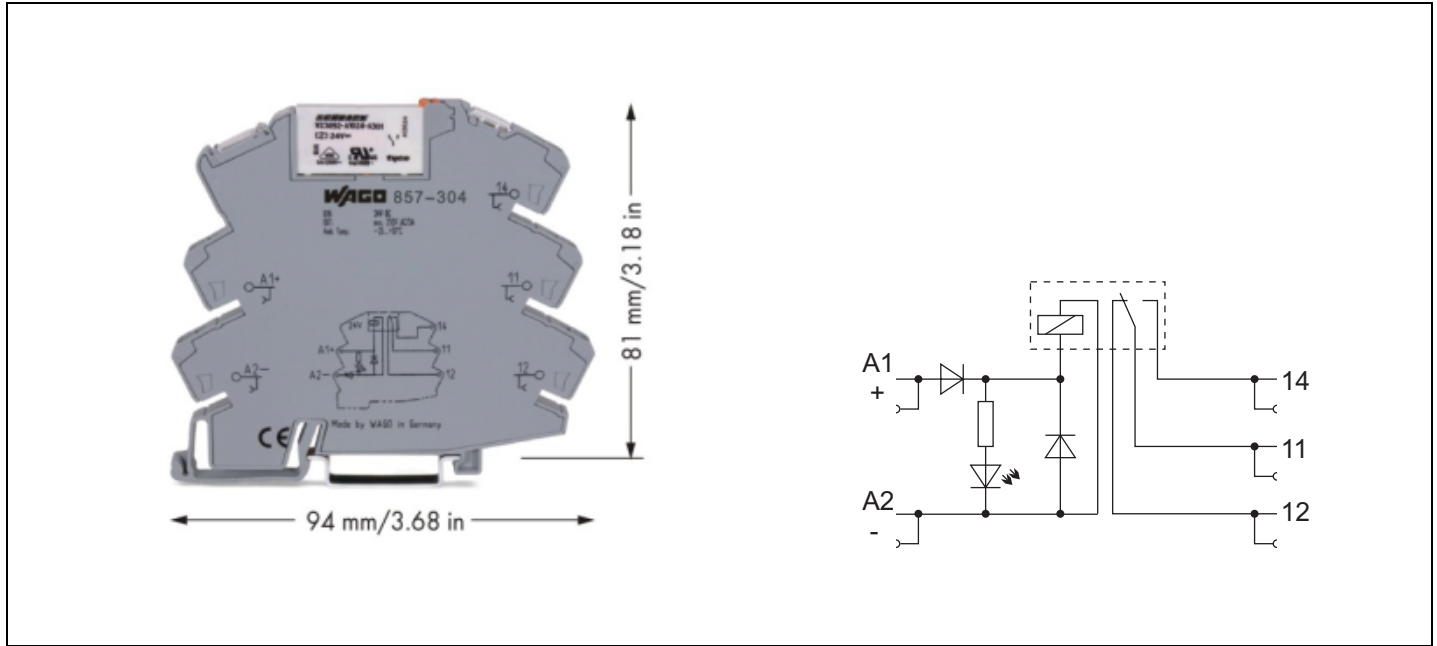


Electronic Terminal Block with Pluggable Miniature Switching Relay

1 changeover contact

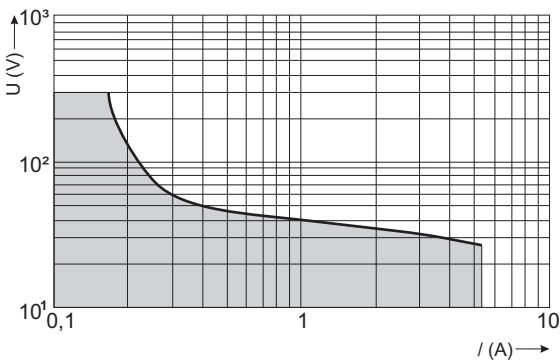
Data sheet



Description	Item-No.	Pack.-unit pcs
Switching relay terminal block U _N : DC 24 V	857-304/009-000	1

- Electronic terminal block with pluggable miniature switching relay. 1 changeover contact for medium switching power.
- With CAGE CLAMP[®] S connection.
- Mounting on DIN 35 rail.
- Please use for enlargements and new projects our advantage type 857-304.

DC-Load limiting value graph



Note: Inductive loads have to be attenuated by an appropriate protective circuit in order to protect relay coils and contacts !

Technical Data

Contact material	AgSnO ₂
Input nominal voltage U _N	DC 24 V
Input voltage range	U _N -15 %...+20 %
Input nominal current I _N	
(coil 20 °C)	10 mA
Max. switching voltage	AC 250 V
Max. continuous current (terminal blocks in a row)	5 A (see derating curve)
Max. switching power (resistive)	AC 1250 VA
(resistive)	DC see load limiting value graph
Recommended min. load	≥ 100 mA / AC/DC 12 V
Max. number of switching operations with/without load	6 min ⁻¹ / 20 s ⁻¹
Operating power	< 300 mW
Pull-in/dropout/bounce time _{typ}	5 ms / 6 ms / 5 ms
Operation at normal rating	100 % continuous duty
Dielectric strength	
contact/coil	4 kV _{eff.}
open contact	1 kV _{eff.}
Nominal voltage acc. to VDE 0110 Teil1/ 4.97	
IEC 60664-1	250 V / 4 kV / 3
Mechanical life at max. load (resistive)	5 x 10 ⁶ switching operations
	5 x 10 ⁴ switching operations
Ambient operating temperature	-25 °C...+50 °C
Storage temperature	-40 °C...+70 °C
Terminal block width	6.0 mm / 0.236 in

Electronic Terminal Block with Pluggable Miniature Switching Relay

2/2

1 changeover contact

Data sheet

<p>Derating curve</p> <p>Test current [A]</p> <p>Ambient temperature [°C]</p>	Wire connection	CAGE CLAMP® S
	solid „s“	0.08-2.5 mm ² / AWG 28-12
	fine stranded „f-st“	0.34-2.5 mm ² / AWG 22-12
	Stripped length	9-10 mm / 0.37 in
	Standards / prescriptions	VDE 0110 / EN 60664-1 VDE0435 / EN 61810-1
	Approvals	CE
	Accessories	
	Push-in type jumper bar, light grey, insulated, 18 A	
	2-way	859-402
	3-way	859-403
	4-way	859-404
	5-way	859-405
	:	:
	10-way	859-410
	colored jumper bar	Additional item no.
yellow	.../000-029	
red	.../000-005	
blue	.../000-006	
Spare relay (U _N = DC 24 V)	857-152	