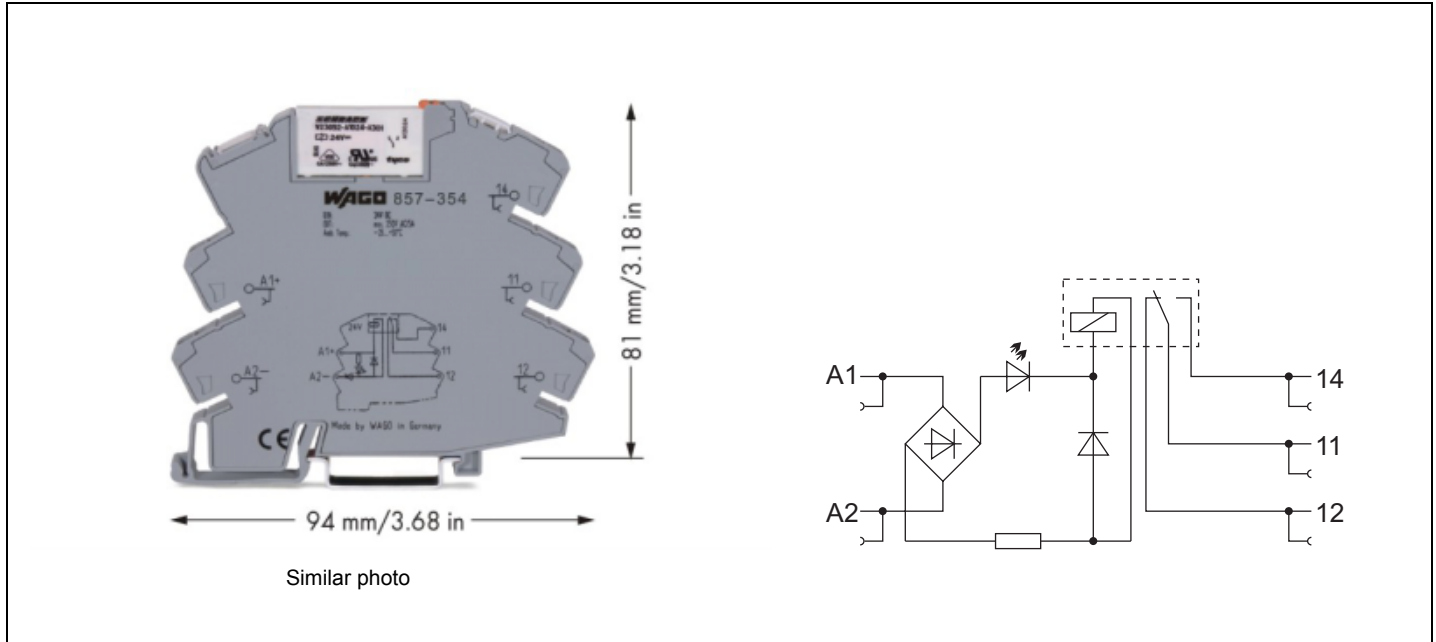


Electronic Terminal Block with Pluggable Miniature Switching Relay

1/2

1 changeover contact

Data sheet



Similar photo

Description	Item-No.	Pack.-unit pcs																																												
Switching relay terminal block U_N : AC 230 V / DC 220 V	857-358/009-000	1																																												
<ul style="list-style-type: none"> Electronic terminal block with pluggable miniature switching relay. 1 changeover contact for medium switching power. With CAGE CLAMP® S connection. Mounting on DIN 35 rail. <p>DC-Load limiting value graph</p> <p>Note: Inductive loads have to be attenuated by an appropriate protective circuit in order to protect relay coils and contacts !</p>	<p>Technical Data</p> <table border="1"> <tr><td>Contact material</td><td>AgSnO₂</td></tr> <tr><td>Input nominal voltage U_N</td><td>AC 230 V / DC 220 V</td></tr> <tr><td>Input voltage range</td><td>U_N -15 %...+10 %</td></tr> <tr><td>Input nominal current I_N (coil 20 °C)</td><td>3.5 mA</td></tr> <tr><td>Max. switching voltage</td><td>AC 250 V</td></tr> <tr><td>Max. continuous current (terminal blocks in a row)</td><td>5 A (see derating curve)</td></tr> <tr><td>Max. switching power (resistive)</td><td>AC 1250 VA</td></tr> <tr><td>(resistive)</td><td>DC see load limiting value graph</td></tr> <tr><td>Recommended min. load</td><td>≥ 100 mA / AC/DC 12 V</td></tr> <tr><td>Max. number of switching operations with/without load</td><td>6 min⁻¹ / 20 s⁻¹</td></tr> <tr><td>Operating power</td><td>< 800 mVA</td></tr> <tr><td>Pull-in/dropout/bounce time_{typ}</td><td>5 ms / 6 ms / 5 ms</td></tr> <tr><td>Operation at normal rating</td><td>100 % continuous duty</td></tr> <tr><td>Dielectric strength contact/coil</td><td>4 kV_{eff.}</td></tr> <tr><td>open contact</td><td>1 kV_{eff.}</td></tr> <tr><td>Nominal voltage acc. to VDE 0110 Teil1/ 4.97</td><td></td></tr> <tr><td>IEC 60664-1</td><td>250 V / 4 kV / 3</td></tr> <tr><td>Mechanical life at max. load (resistive)</td><td>5 x 10⁶ switching operations</td></tr> <tr><td></td><td>5 x 10⁴ switching operations</td></tr> <tr><td>Ambient operating temperature</td><td>-25 °C...+50 °C</td></tr> <tr><td>Storage temperature</td><td>-40 °C...+70 °C</td></tr> <tr><td>Terminal block width</td><td>6.0 mm / 0.236 in</td></tr> </table>		Contact material	AgSnO ₂	Input nominal voltage U_N	AC 230 V / DC 220 V	Input voltage range	U_N -15 %...+10 %	Input nominal current I_N (coil 20 °C)	3.5 mA	Max. switching voltage	AC 250 V	Max. continuous current (terminal blocks in a row)	5 A (see derating curve)	Max. switching power (resistive)	AC 1250 VA	(resistive)	DC see load limiting value graph	Recommended min. load	≥ 100 mA / AC/DC 12 V	Max. number of switching operations with/without load	6 min ⁻¹ / 20 s ⁻¹	Operating power	< 800 mVA	Pull-in/dropout/bounce time _{typ}	5 ms / 6 ms / 5 ms	Operation at normal rating	100 % continuous duty	Dielectric strength contact/coil	4 kV _{eff.}	open contact	1 kV _{eff.}	Nominal voltage acc. to VDE 0110 Teil1/ 4.97		IEC 60664-1	250 V / 4 kV / 3	Mechanical life at max. load (resistive)	5 x 10 ⁶ switching operations		5 x 10 ⁴ switching operations	Ambient operating temperature	-25 °C...+50 °C	Storage temperature	-40 °C...+70 °C	Terminal block width	6.0 mm / 0.236 in
Contact material	AgSnO ₂																																													
Input nominal voltage U_N	AC 230 V / DC 220 V																																													
Input voltage range	U_N -15 %...+10 %																																													
Input nominal current I_N (coil 20 °C)	3.5 mA																																													
Max. switching voltage	AC 250 V																																													
Max. continuous current (terminal blocks in a row)	5 A (see derating curve)																																													
Max. switching power (resistive)	AC 1250 VA																																													
(resistive)	DC see load limiting value graph																																													
Recommended min. load	≥ 100 mA / AC/DC 12 V																																													
Max. number of switching operations with/without load	6 min ⁻¹ / 20 s ⁻¹																																													
Operating power	< 800 mVA																																													
Pull-in/dropout/bounce time _{typ}	5 ms / 6 ms / 5 ms																																													
Operation at normal rating	100 % continuous duty																																													
Dielectric strength contact/coil	4 kV _{eff.}																																													
open contact	1 kV _{eff.}																																													
Nominal voltage acc. to VDE 0110 Teil1/ 4.97																																														
IEC 60664-1	250 V / 4 kV / 3																																													
Mechanical life at max. load (resistive)	5 x 10 ⁶ switching operations																																													
	5 x 10 ⁴ switching operations																																													
Ambient operating temperature	-25 °C...+50 °C																																													
Storage temperature	-40 °C...+70 °C																																													
Terminal block width	6.0 mm / 0.236 in																																													

Electronic Terminal Block with Pluggable Miniature Switching Relay

2/2

1 changeover contact

Data sheet

<p>Derating curve</p> <p>Test current [A]</p> <p>Ambient temperature [°C]</p>	Wire connection	CAGE CLAMP® S
	solid „s“	0.08-2.5 mm ² / AWG 28-12
	fine stranded „f-st“	0.34-2.5 mm ² / AWG 22-12
	Stripped length	9-10 mm / 0.37 in
	Standards / prescriptions	VDE 0110 / EN 60664-1
		VDE0435 / EN 61810-1
	Approvals	CE
	Accessories	
	Push-in type jumper bar, light grey, insulated, 18 A	
	2-way	859-402
	3-way	859-403
	4-way	859-404
	5-way	859-405
	:	:
	10-way	859-410
	colored jumper bar	Additional item no.
	yellow	.../000-029
	red	.../000-005
	blue	.../000-006
	Spare relay (U _N = DC 60 V)	857-155