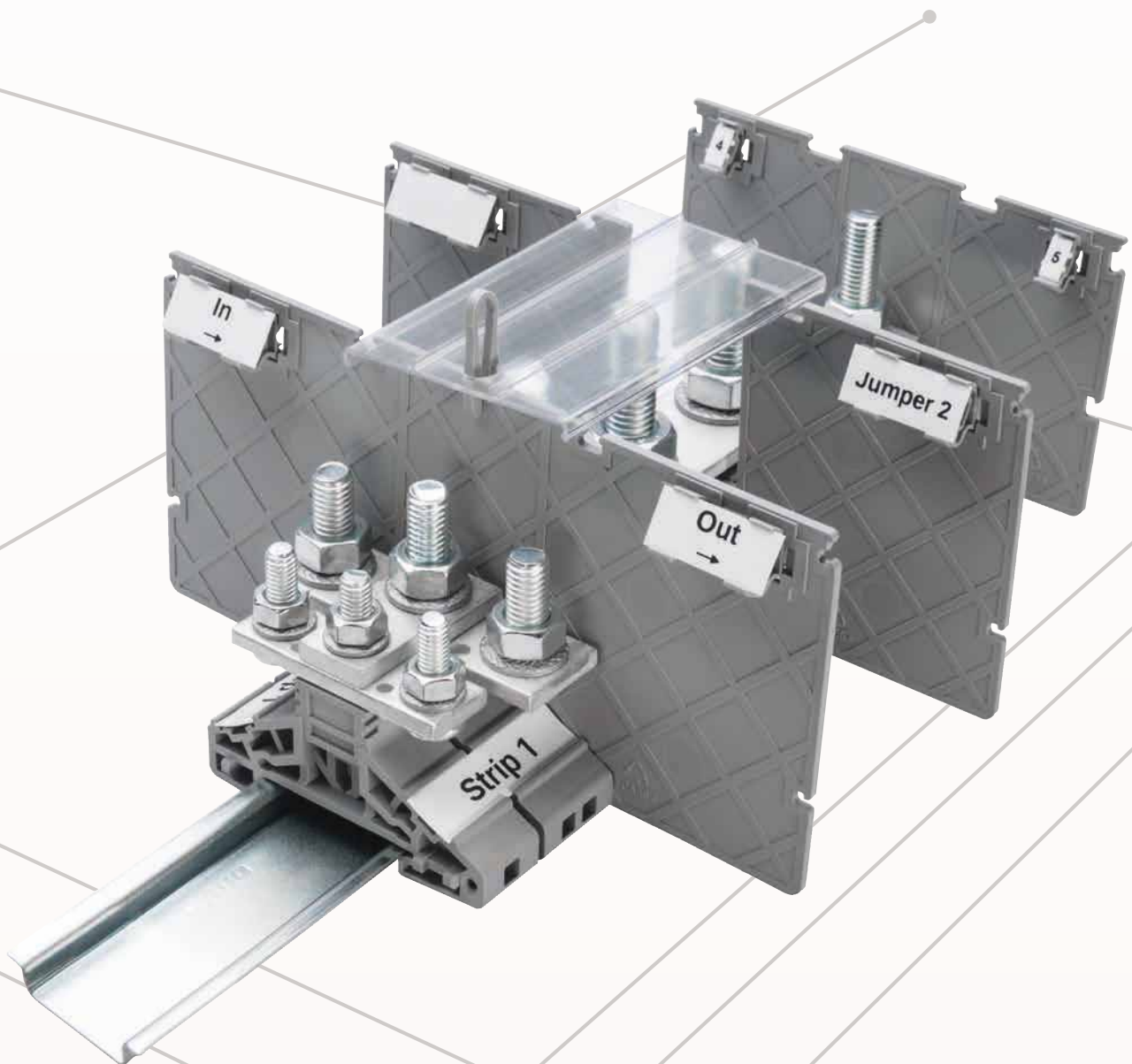


DIN-Rail Terminal Blocks with Screw Clamp Connection

Supplementary Catalog to Full Line Catalog Volume 1



The items in this catalog
supplement products found in
the following main catalog



Volume 1

Rail-Mounted Terminal Block Systems



DIN-Rail Terminal Blocks with Screw Clamp Connection

Page

	Through Terminal Blocks with Screw Clamp Connection 35 mm ² , 70 mm ² , 95 mm ²	400 Series	2
	Ground Conductor Terminal Blocks with Screw Clamp Connection 35 mm ² , 70 mm ² , 95 mm ²	400 Series	4
	Through Terminal Blocks with Screw Clamp Connection 150 mm ² (300 kcmil), 240 mm ² (500 kcmil)	400 Series	6
	Fuse Terminal Blocks with Screw Clamp Connection 10 mm ² (8 AWG), 25 mm ² (4 AWG)	400 Series	8
	High-Current Terminal Blocks with Stud Bolts M6 (35 mm ² /2 AWG), M8 (70 mm ² /3/0 AWG), M10 (120 mm ² /300 kcmil), M12 (185 mm ² /500 kcmil), M16 (300 mm ² /600 kcmil)	400 Series	10
	Stud Terminal Blocks M6 (35 mm ² /2 AWG), M8 (50 mm ² /1/0 AWG), M10 (120 mm ² /250 kcmil), M12 (120 mm ² /250 kcmil)	885 Series	16
	Index Addresses		23

Through Terminal Blocks with Screw Clamp Connection 400 Series



Through terminal block with screw clamp connection (95 mm²/4/0 AWG)
Removal from the DIN-35 rail:
Pull out locking device and simultaneously remove terminal block from the rail.



◀ 49 mm/1.93 in ▶

Through terminal block, for DIN-35 rail


Color	Item No.	Pack. Unit
○ gray	400-415/415-124	20
● blue	400-425/425-124	20


Technical Data


Ratings per	IEC/EN 60947-7-1
Rated voltage (III / 3)	1000 V
Rated impulse voltage (III / 3)	8 kV
Rated current	125 A
Nominal cross-section	35 mm ²
Connection Data	
Solid conductor	16 ... 35 mm ² / 6 ... 2 AWG
Fine-stranded conductor	16 ... 35 mm ² / 6 ... 2 AWG
Strip length	17 ... 19 mm / 0.67 ... 0.75 inch
Terminal block width	16 mm / 0.63 inch
Tightening torque range	2.8 ... 3 Nm
Insulation material	Polyamide 66 (PA 66)

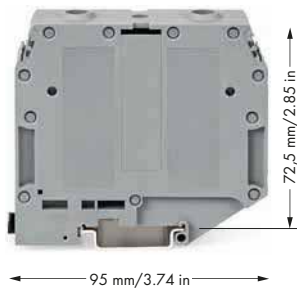
Accessories

	Item No.	Pack. Unit
Assembled jumper bar	2-way	400-473/473-621 10
	3-way	400-473/473-622 10
	4-way	400-473/473-623 10
	5-way	400-473/473-624 10
	10-way	400-473/473-625 10
Jumper bar, with screws and washers		
Protective warning marker, with high-voltage symbol, for 3 terminal blocks	yellow	400-463/463-430 100(25)
Protective warning marker, with high-voltage symbol, for 4 terminal blocks	yellow	400-463/463-431 100(25)
Plastic screw, for protective warning marker		400-473/473-147 100(25)
Screwless end stop, for DIN-35 rail, 10 mm wide	gray	249-117 50(25)
Screwless end stop, for DIN-35 rail, 14 mm wide		

 Carrier rails and tools,
see Volume 1, Section 13

 Marking accessories,
see Volume 6

 Approvals and corresponding ratings,
visit www.wago.com



Through terminal block, hex socket clamping screws (INB 6), for DIN-15 rail

Color	Item No.	Pack. Unit
gray	400-415/415-216	10
blue	400-425/425-216	10

Through terminal block, hex socket clamping screws (INB 6), for DIN-15 rail

Color	Item No.	Pack. Unit
gray	400-415/415-556	10
blue	400-425/425-556	10

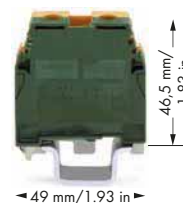
IEC/EN 60947-7-1
1000 V
8 kV
192 A
70 mm ²
16 ... 70 mm ² / 6 ... 2/0 AWG
16 ... 70 mm ² / 6 ... 2/0 AWG
25 ... 27 mm / 0.98 ... 1.06 inch
22 mm / 0.866 inch
6 ... 7 Nm
Polyamide 66 (PA 66)

IEC/EN 60947-7-1
1000 V
8 kV
232 A
95 mm ²
35 ... 95 mm ² / 2 ... 4/0 AWG
35 ... 95 mm ² / 2 ... 4/0 AWG
25 ... 27 mm / 0.98 ... 1.06 inch
26 mm / 1.024 inch
9 ... 9.5 Nm
Polyamide 66 (PA 66)


	Item No.	Pack. Unit
2-way	400-473/473-316	100(25)
3-way	400-473/473-317	50
5-way	400-473/473-318	10
10-way	400-473/473-319	20
yellow	400-473/473-327	50(25)
yellow	400-473/473-328	100(25)
	400-473/473-323	100(25)
gray	249-117	50(25)
gray	249-197	50(25)

	Item No.	Pack. Unit
2-way	400-477/477-508	100(25)
3-way	400-477/477-509	100(25)
5-way	400-477/477-510	50(25)
10-way	400-477/477-511	25
gray	249-117	50(25)
gray	249-197	50(25)

Ground Conductor Terminal Blocks with Screw Clamp Connection 400 Series



Ground conductor terminal block,
with contact to the carrier rail,
only for DIN 35 x 15 rails


Color	Item No.	Pack. Unit
 green-yellow	400-465/465-111	20


Technical Data


Ratings per	IEC/EN 60947-7-2
Nominal cross-section	35 mm ²
Connection Data	
Solid conductor	16 ... 35 mm ² / 6 ... 2 AWG
Fine-stranded conductor	16 ... 35 mm ² / 6 ... 2 AWG
Strip length	17 ... 19 mm / 0.67 ... 0.75 inch
Terminal block width	16 mm / 0.63 inch
Tightening torque range	2.8 ... 3 Nm
Insulation material	Polyamide 66 (PA 66)

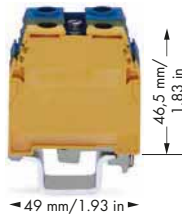
Accessories

	Item No.	Pack. Unit
Screwless end stop, for DIN-35 rail, 10 mm wide	249-117	50(25)
Screwless end stop, for DIN-35 rail, 14 mm wide		

 Carrier rails and tools,
see Volume 1, Section 13

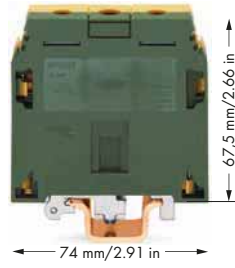
 Marking accessories,
see Volume 6

 Approvals and corresponding ratings,
visit www.wago.com



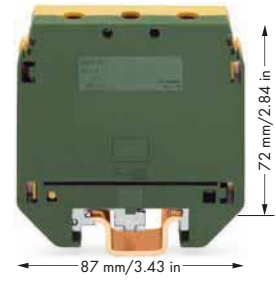
Ground-neutral terminal block, with contact to the carrier rail, only for DIN 35 x 15 rails

Color	Item No.	Pack. Unit
green-yellow/blue	400-465/465-575	10



Ground conductor terminal block, with contact to the carrier rail, only for DIN 35 x 15 rails (2.3 mm thick, copper)

Color	Item No.	Pack. Unit
● green-yellow	400-499/499-024	10



Ground conductor terminal block, with contact to the carrier rail, only for DIN 35 x 15 rails (2.3 mm thick, copper)

Color	Item No.	Pack. Unit
● green-yellow	400-499/499-176	10

IEC/EN 60947-7-2
35 mm ²
16 ... 35 mm ² / 6 ... 2 AWG
16 ... 35 mm ² / 6 ... 2 AWG
17 ... 19 mm / 0.67 ... 0.75 inch
32 mm / 1.26 inch
2.8 ... 3 Nm
Polyamide 66 (PA 66)

IEC/EN 60947-7-2
70 mm ²
16 ... 70 mm ² / 6 ... 2/0 AWG
16 ... 70 mm ² / 6 ... 2/0 AWG
25 ... 27 mm / 0.98 ... 1.06 inch
22 mm / 0.866 inch
6 ... 7 Nm
Polyamide 66 (PA 66)

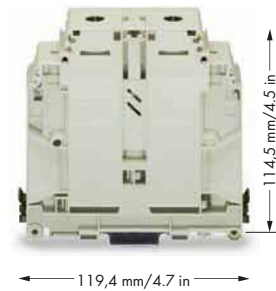
IEC/EN 60947-7-2
95 mm ²
35 ... 95 mm ² / 2 ... 4/0 AWG
35 ... 95 mm ² / 2 ... 4/0 AWG
25 ... 27 mm / 0.98 ... 1.06 inch
26 mm / 1.024 inch
9 ... 9.5 Nm
Polyamide 66 (PA 66)

	Item No.	Pack. Unit
gray	249-117	50(25)

	Item No.	Pack. Unit
gray	249-117	50(25)
gray	249-197	50(25)

	Item No.	Pack. Unit
gray	249-117	50(25)
gray	249-197	50(25)

Through Terminal Blocks with Screw Clamp Connection 400 Series



Through terminal block, with end plate and 10 mm² (6 AWG) control cable connection


Color	Item No.	Pack. Unit
○ light gray	400-499/499-715	10
● blue	400-499/499-717	10


Technical Data


Ratings per	IEC/EN 60947-7-1
Rated voltage (III / 3)	1000 V
Rated impulse voltage (III / 3)	8 kV
Rated current (load circuit)	309 A
Rated current (control cable outlet)	57 A
Nominal cross-section (load circuit)	150 mm ² /B14
Nominal cross-section (control cable outlet)	10 mm ² /B14
Ratings per	UL/CSA
Rated voltage (III / 3)	600 V
Rated impulse voltage (III / 3)	8 kV
Rated current (load circuit)	445 A
Rated current (control cable outlet)	70 A
Nominal cross-section (load circuit)	300 kcmil
Nominal cross-section (control cable outlet)	6 AWG
Connection Data (Load Circuit)	
Solid conductor	25 ... 185 mm ² / 4 AWG ... 350 kcmil
Fine-stranded conductor	35 ... 150 mm ² / 2 AWG ... 300 kcmil
Connection Data (Control Cable Outlet)	
Solid conductor	0.5 ... 16 mm ²
Fine-stranded conductor	0.5 ... 10 mm / 18 ... 6 AWG
Strip length (load circuit)	35 mm / 1.37 inch
Strip length (control cable outlet)	12 mm / 0.47 inch
Tightening torque (load circuit)	15 Nm / 88.5 ... 260 lb-in
Tightening torque (control cable outlet)	1.2 ... 1.4 Nm / 10.6 ... 12.3 lb-in
Tool (load circuit)	T-wrench (8 mm / 0.31 inch)
Tool (control cable outlet)	Screwdriver, (3.5 x 0.5) mm blade
Terminal block width	31 mm / 1.22 inch
Protection type	IP20
Insulation material	Polyamide 66 (PA 66)

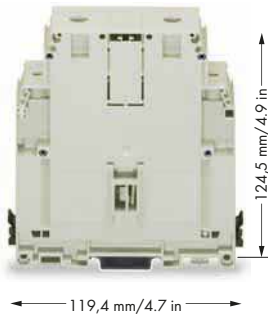
Accessories

	Item No.	Pack. Unit
Assembled jumper bar	2-way 400-406/406-053	10(1)
	3-way 400-406/406-054	5
Protective cover, IP20	light gray 400-499/499-788	50(25)
Screwless end stop, for DIN-35 rail, 10 mm wide	gray 249-117	50(25)

 Carrier rails and tools,
see Volume 1, Section 13

 Marking accessories,
see Volume 6

 Approvals and corresponding ratings,
visit www.wago.com

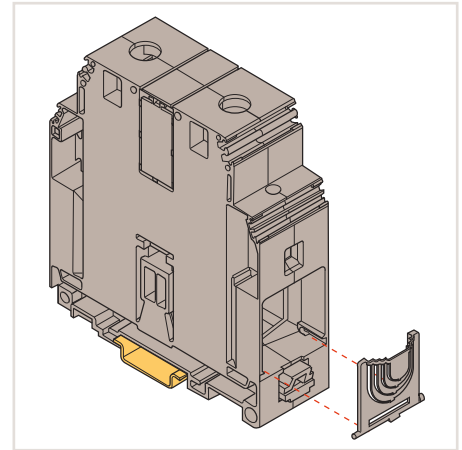


Through terminal block, with end plate and 10 mm² (6 AWG) control cable connection

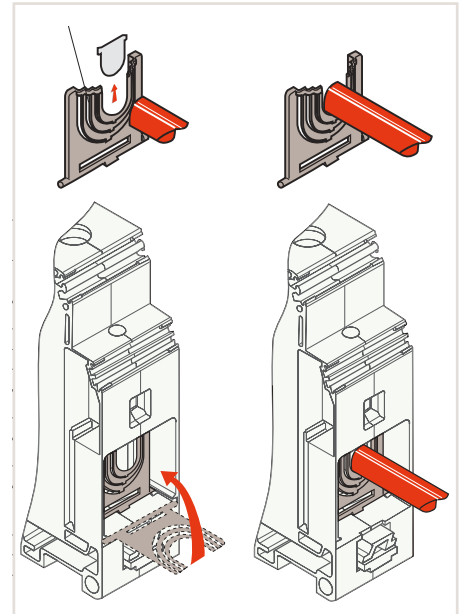
Color	Item No.	Pack. Unit
○ light gray	400-499/499-704	10
● blue	400-499/499-706	10

IEC/EN 60947-7-1
1000 V
8 kV
415 A
57 A
240 mm ² /B14
10 mm ² /B14
UL/CSA
600 V
8 kV
400 A
70 A
500 kcmil
6 AWG
50 ... 300 mm ² / 0 AWG ... 600 kcmil
35 ... 240 mm ² / 2 AWG ... 500 kcmil
0.5 ... 16 mm ²
0.5 ... 10 mm / 18 ... 6 AWG
35 mm / 1.37 inch
12 mm / 0.47 inch
15 Nm / 124 ... 260 lb-in
1.2 ... 1.4 Nm / 10.6 ... 12.3 lb-in
T-wrench (8 mm / 0.39 inch)
Screwdriver, (3.5 x 0.5) mm blade
36 mm / 1.417 inch
IP20
Polyamide 66 (PA 66)

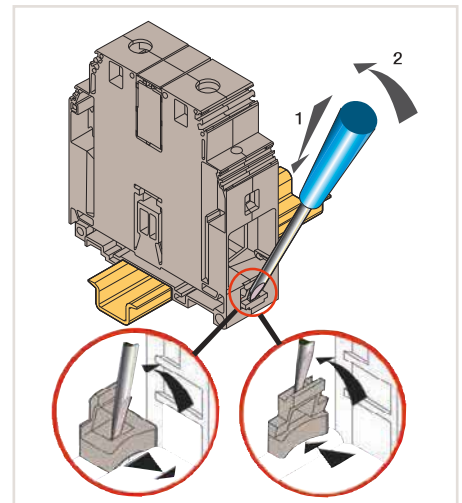
	Item No.	Pack. Unit
2-way	400-406/406-126	5
3-way	400-406/406-223	5
light gray	400-499/499-787	1
gray	249-117	50(25)



Adjust the cutout to the cable diameter.



Operate mounting system via screwdriver – mounting foot locks in open or closed position.



Open and close.

Fuse Terminal Blocks with Screw Clamp Connection 400 Series



Fuse terminal block,
for cartridges with indicator,
D 01 (Neozed), 380 V,
for DIN-35 rail


Color	Item No.	Pack. Unit
○ gray	400-416/416-298	10


Technical Data


Ratings per	IEC/EN 60947-7-3
Rated voltage (III / 3)	750 V
Rated impulse voltage (III / 3)	8 kV
Rated current	32 A
Nominal cross-section	10 mm ²
Connection Data	
Solid conductor	0.2 ... 10 mm / 24 ... 8 AWG
Fine-stranded conductor	0.2 ... 10 mm / 24 ... 8 AWG
Strip length	13 mm / 0.51 inch
Terminal block width	24 mm / 0.945 inch
Tightening torque range	1.2 ... 1.4 Nm
Insulation material	Polyamide 66 (PA 66)

Accessories

	Item No.	Pack. Unit
Screwless end stop, for DIN-35 rail, 10 mm wide	249-117	50(25)

 Carrier rails and tools,
see Volume 1, Section 13

 Marking accessories,
see Volume 6

 Approvals and corresponding ratings,
visit www.wago.com



Fuse terminal block,
for cartridges without indicator,
(10.3 x 38) mm, 500 V,
for DIN-35 rail

Color	Item No.	Pack. Unit
green-yellow/blue	400-416/416-299	10

IEC/EN 60947-7-3

750 V

8 kV

32 A

10 mm²

0.2 ... 10 mm / 24 ... 8 AWG

0.2 ... 10 mm / 24 ... 8 AWG

13 mm / 0.51 inch

24 mm / 0.945 inch

1.2 ... 1.4 Nm

Polyamide 66 (PA 66)

	Item No.	Pack. Unit
gray	249-117	50(25)

High-Current Terminal Blocks with Stud Bolts

System Description

400 Series



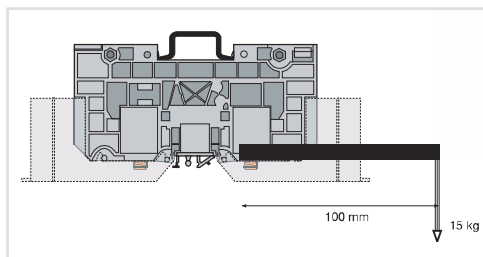
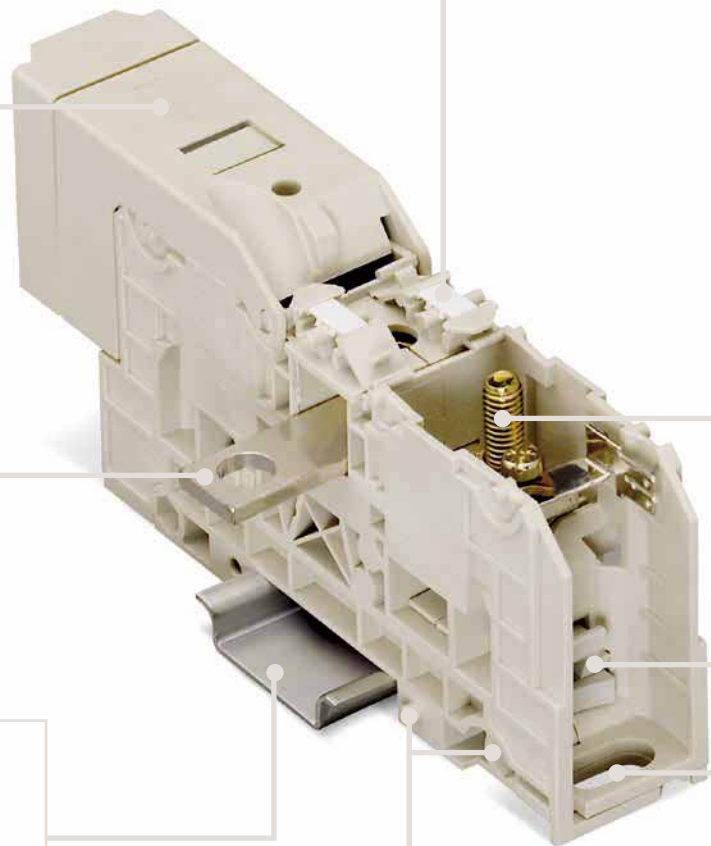
Protection against accidental contact is achieved via protective covers (IP20). Two covers must be used on each terminal block.



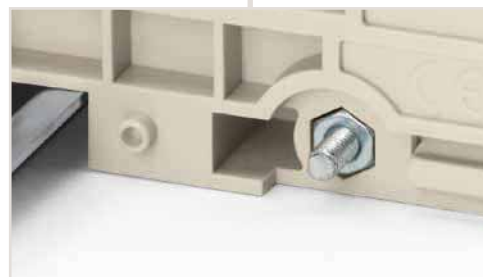
Center marking of the terminal block via WMB markers



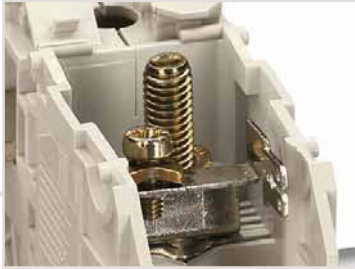
Jumper bars – available in 2-way and 3-way versions



Rail mounting for highest stability



- Stud terminal blocks can be assembled to terminal strips via threaded rod and M3 nut
- Easy connection via connecting tips



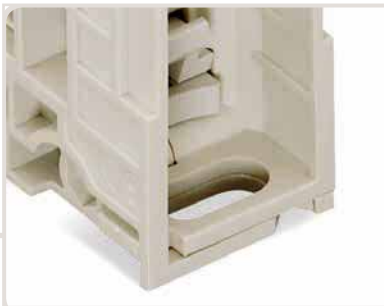
Control cable connection for 6.3 x 0.8 flat tab and screw connection



Assembly

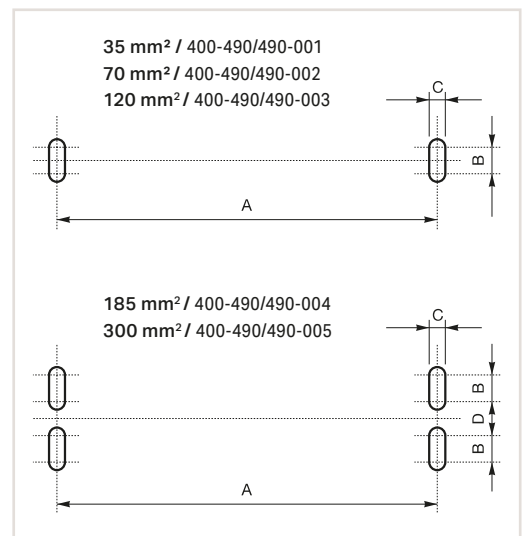
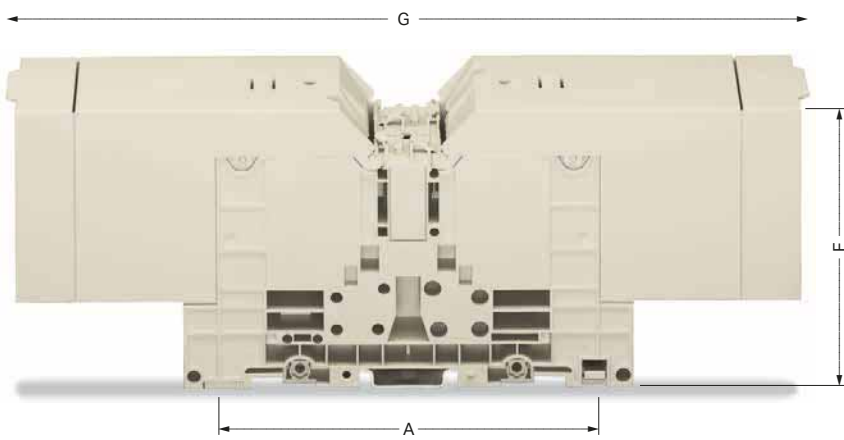


Removal



Slot for direct assembly (see table below)

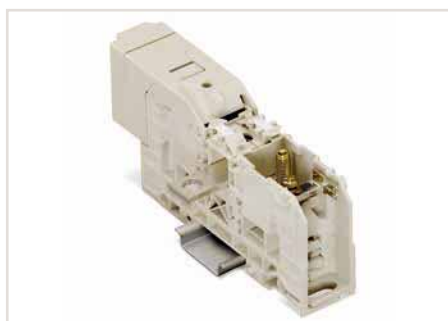
Position of drilled holes for direct assembly and dimensions when using covers:



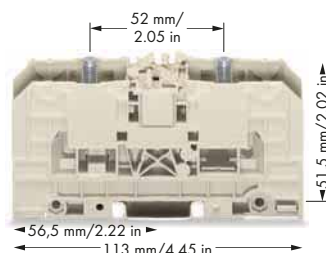
Cross section	Item No.	Mounting	A	B	C	D	F	G
35 mm ²	400-490/490-001	2 screws	100,5	7,5	6,5	-	63,5	160
70 mm ²	400-490/490-002	2 screws	120	7,5	6,5	-	72,5	190,5
120 mm ²	400-490/490-003	2 screws	120	7,5	6,5	-	83,5	255,5
185 mm ²	400-490/490-004	4 screws	135	13,5	6,5	8,5	103,5	295
300 mm ²	400-490/490-005	4 screws	135	13,5	6,5	8,5	105	295

High-Current Terminal Blocks with M6, M8 and M10 Stud Bolts

400 Series



High-current terminal block with stud bolts



High-current terminal block, with two M6 stud bolts


Color	Item No.	Pack. Unit
○ light gray	400-490/490-001	5


Technical Data


Ratings per	IEC/EN 60947-7-1
Rated voltage (III / 3)	1000 V
Rated impulse voltage (III / 3)	8 kV
Rated current	125 A
Nominal cross-section	35 mm ²
Ratings per	UL/CSA
Rated voltage (III / 3)	600 V
Rated current	125 A
Nominal cross-section	14 ... 2 AWG
Connection Data (NFC)	
Stranded conductor	2.5 ... 35 mm ²
Fine-stranded conductor	2.5 ... 35 mm ²
Connection Data (DIN)	
Stranded conductor	2.5 ... 35 mm ²
Fine-stranded conductor	
Connection Data (UL/CSA)	
Stranded conductor	
Fine-stranded conductor	
Cable lug	
Wrench size	10 mm
Tightening torque	3 ... 6 Nm / 26.1 lb-in
Jumper bar screw	
Wrench size	T-wrench (6 mm)
Tightening torque	6 ... 12 Nm / 52 lb-in
Terminal block width	27 mm / 1.063 inch
Insulation material	Polyamide 66 (PA 66)

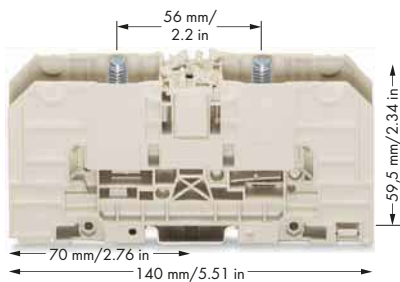
Accessories

	Item No.	Pack. Unit
Protective cover, IP20	400-490/490-016	5
Jumper bar with screws	400-405/405-772	25(5)
	400-405/405-773	25(5)
Control cable connection, with screws, for (6.35 x 0.8) mm flat tabs	400-405/405-767	1
Screwless end stop, for DIN-35 rail, 10 mm wide	gray 249-117	50(25)

 Carrier rails and tools, see Volume 1, Section 13

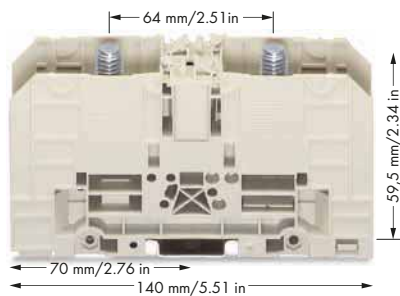
 Marking accessories, see Volume 6

 Approvals and corresponding ratings, visit www.wago.com



High-current terminal block, with two M8 stud bolts

Color	Item No.	Pack. Unit
○ light gray	400-490/490-002	5



High-current terminal block, with two M10 stud bolts

Color	Item No.	Pack. Unit
○ light gray	400-490/490-003	5

IEC/EN 60947-7-1
1000 V
8 kV
192 A
70 mm ²
UL/CSA
600 V
170 A
10 ... 3/0 AWG
6 ... 95 mm ²
6 ... 70 mm ²
6 ... 70 mm ²
13 mm
6 ... 12 Nm / 52 lb-in
T-wrench (6 mm)
6 ... 12 Nm / 52 lb-in
32 mm / 1.26 inch
Polyamide 66 (PA 66)

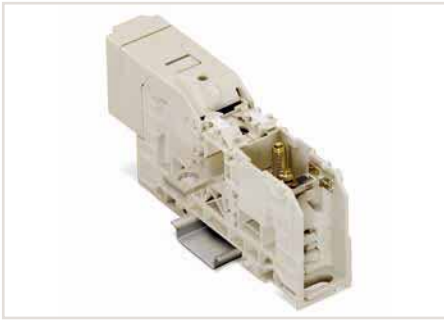
IEC/EN 60947-7-1
1000 V
8 kV
269 A
120 mm ²
UL/CSA
600 V
269 A
10 AWG ... 300 kcmil
2.5 ... 35 mm ²
2.5 ... 35 mm ²
2.5 ... 35 mm ²
max. 300 kcmil
max. 300 kcmil
17 mm
10 ... 20 Nm / 87 ... 174 lb-in
T-wrench (6 mm)
6 ... 12 Nm / 52 ... 104 lb-in
42 mm / 1.654 inch
Polyamide 66 (PA 66)

	Item No.	Pack. Unit
light gray	400-490/490-017	5
2-way	400-405/405-774	25(5)
3-way	400-405/405-775	25(5)
	400-405/405-768	10
gray	249-117	50(25)

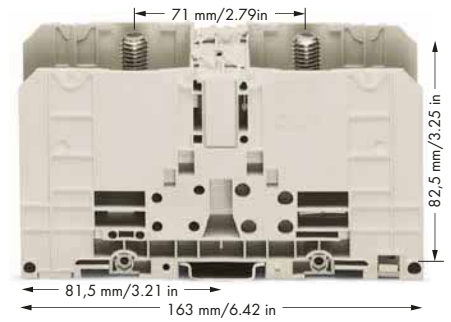
	Item No.	Pack. Unit
light gray	400-490/490-018	5
2-way	400-405/405-776	10(5)
3-way	400-405/405-777	5
	400-405/405-769	10
gray	249-117	50(25)

High-Current Terminal Blocks with M12 and M16 Stud Bolts

400 Series



High-current terminal block with stud bolts



High-current terminal block, with two M12 stud bolts

Color	Item No.	Pack. Unit
○ light gray	400-490/490-004	5

Technical Data

Ratings per	IEC/EN 60947-7-1
Rated voltage (III / 3)	1000 V
Rated impulse voltage (III / 3)	8 kV
Rated current	353 A
Nominal cross-section	185 mm ²
Ratings per	UL/CSA
Rated voltage (III / 3)	600 V
Rated current	353 A
Nominal cross-section	10 AWG ... 500 kcmil
Connection Data (NFC)	
Stranded conductor	25 ... 240 mm ²
Fine-stranded conductor	6 ... 185 mm ²
Connection Data (DIN)	
Stranded conductor	6 ... 185 mm ²
Fine-stranded conductor	
Connection Data (UL/CSA)	
Stranded conductor	max. 500 kcmil
Fine-stranded conductor	max. 500 kcmil
Cable lug	
Wrench size	19 mm
Tightening torque	25 ... 50 Nm / 121 ... 261 lb-in
Jumper bar screw	
Wrench size	T-wrench (6 mm)
Tightening torque	6 ... 12 Nm / 52 ... 104 lb-in
Terminal block width	55 mm / 2.165 inch
Insulation material	Polyamide 66 (PA 66)

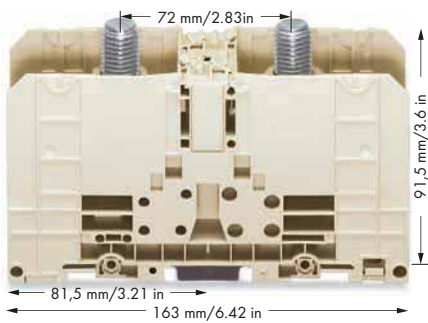
Accessories

	Item No.	Pack. Unit
Protective cover, IP20	400-490/490-019	1
Jumper bar with screws	400-405/405-778	5
	400-405/405-779	1
Control cable connection, with screws, for (6.35 x 0.8) mm flat tabs	400-405/405-770	10
Screwless end stop, for DIN-35 rail, 10 mm wide	gray 249-117	50(25)

Carrier rails and tools, see Volume 1, Section 13

Marking accessories, see Volume 1, Section 13 or Volume 6

Approvals and corresponding ratings, visit www.wago.com



High-current terminal block, with two M16 stud bolts

Color	Item No.	Pack. Unit
○ light gray	400-490/490-005	5

IEC/EN 60947-7-1

1000 V

8 kV

520 A

300 mm²

UL/CSA

600 V

460 A

10 AWG ... 600 kcmil

25 ... 300 mm²

6 ... 300 mm²

6 ... 300 mm²

max. 600 kcmil

max. 600 kcmil

24 mm

25 ... 50 Nm / 217 ... 435 lb-in

T-wrench (6 mm)

6 ... 12 Nm / 52 ... 104 lb-in

55 mm / 2.165 inch

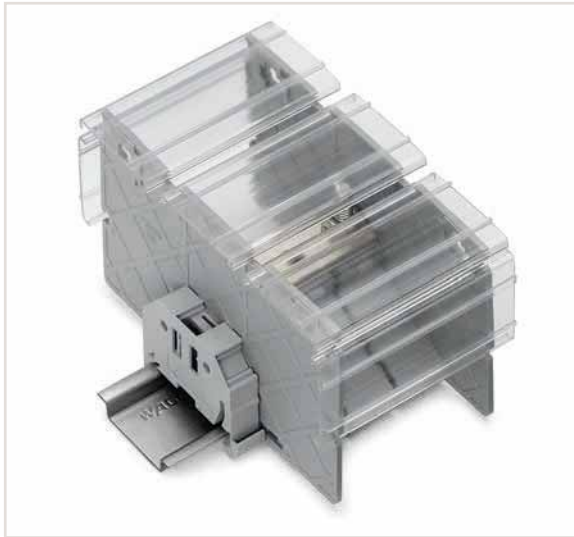
Polyamide 66 (PA 66)

	Item No.	Pack. Unit
light gray	400-490/490-019	1
2-way	400-405/405-778	5
3-way	400-405/405-779	1
	400-405/405-771	1
gray	249-117	50(25)

Stud Terminal Blocks

System Description

885 Series



Assembly options – just snap cover in at the required position.



Touch guard cover – can be secured against slipping via clip.
Hole must be drilled in the appropriate position (6 mm drilled hole diameter).

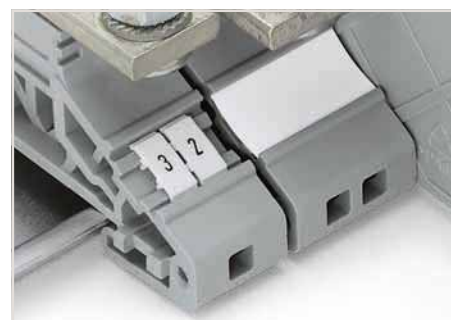
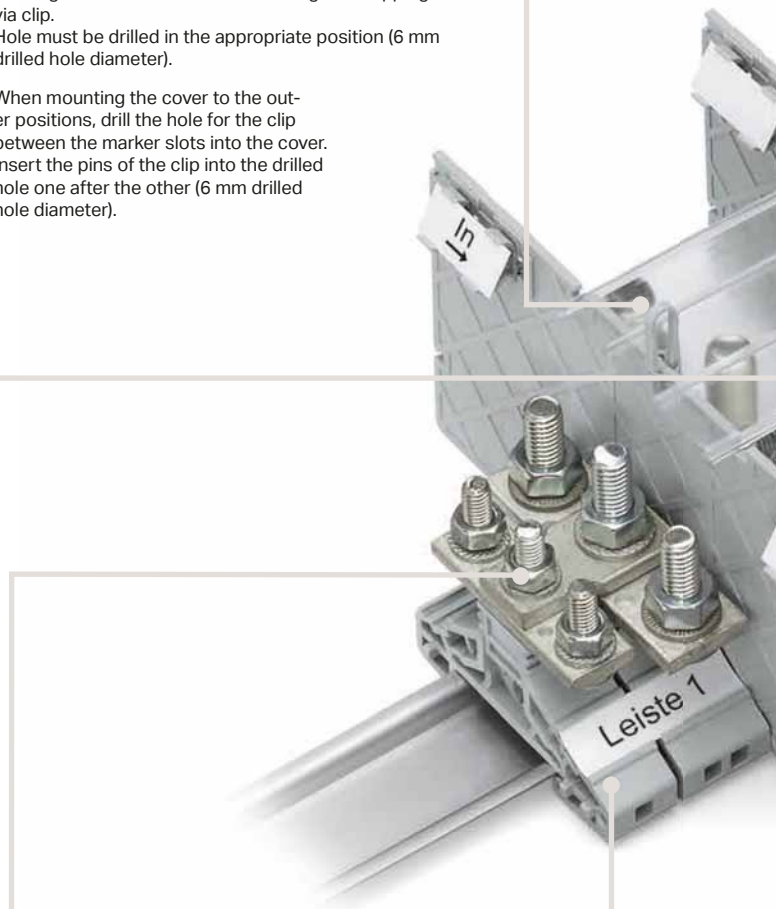
When mounting the cover to the outer positions, drill the hole for the clip between the marker slots into the cover. Insert the pins of the clip into the drilled hole one after the other (6 mm drilled hole diameter).



Fast and easy potential distribution using assembled jumper bars – double assembled jumper bar from M10 to M10 via separator



Step-down adjacent jumper bar – from M8 to M6



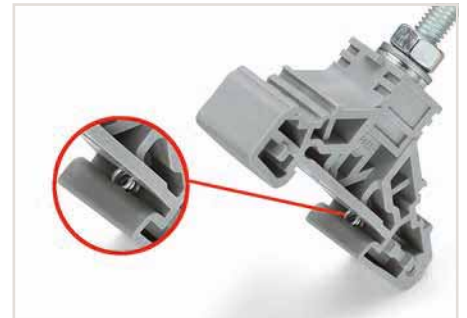
Terminal block marking – either with WMB marker or marking strips



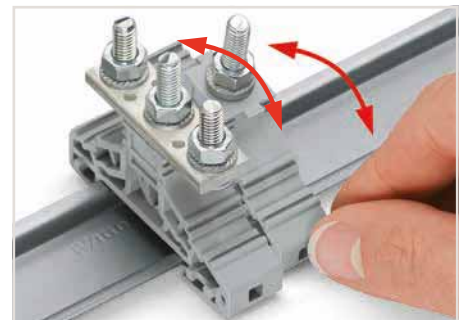
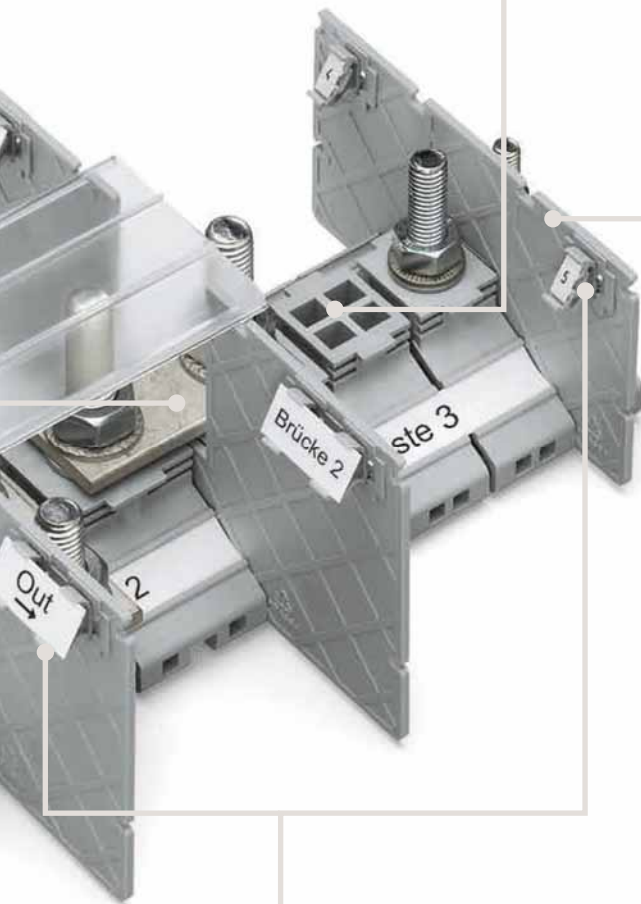
Empty housing as placeholder (M10)



Securing a separator plate on a stud terminal block via guide pins.



First mount the terminal base over the edge for fitting onto the carrier rail.



Slide the terminal side with the spring element toward the center of the rail and press it up/down.



Group marking with marker carrier – either via WMB marker or marking strip



Up to three cable lugs can be connected according to:

- (DIN 46234) Cable lugs for solder-free connections, ring type, without insulating sleeve, for copper conductors and
 - (DIN 46235) Cable lugs for compression connections, cover plate type for copper conductors
- Install cable lugs back-to-back on the stud. Then, tighten to the required torque using a nut secured by a lock washer.

Stud Terminal Blocks M6, M8, M10 and M12 885 Series



Stud Terminal Blocks

Stud terminal block,
one M6 stud, for DIN-35 rail

Color	Item No.	Pack. Unit
gray	885-106	25

Technical Data

Ratings per	IEC/EN 60947-7-1
Rated voltage (III / 3)	1000 V
Rated impulse voltage (III / 3)	8 kV
Rated current	125 A
Nominal cross-section	35 mm ²
Connection Data	
Solid conductor	2.5 ... 35 mm ² / 14 ... 2 AWG
Fine-stranded conductor	2.5 ... 35 mm ² / 14 ... 2 AWG
Terminal block width	17.8 mm / 0.701 inch
Tightening torque range	3 ... 6 Nm
Insulation material	Polyamide 66 (PA 66)

Accessories

	Item No.	Pack. Unit
Assembled jumper bar		
2-way	885-406	5
3-way	885-426	5
Step-down adjacent jumper bar, M8 to M6		
Step-down adjacent jumper bar, M10 to M6		
Empty housing, 17.8 mm thick	gray	885-506
Empty housing, 22.8 mm thick		
Empty housing, 33.8 mm thick		
Separator plate, 2 mm thick, 76 mm wide		
Separator plate, 2 mm thick, 102.3 mm wide	gray	885-526
Separator plate, 2 mm thick, 157 mm wide		
Separator plate, with assembled jumper bar recess, 2 mm thick, 102.3 mm wide	gray	885-546
Separator plate, with assembled jumper bar recess, 2 mm thick, 157 mm wide		
Cover, 1 m long	transparent	885-566
Clip, secures cover against slipping	gray	885-580
WMB Inline, plain, stretchable from 5 ... 5.2 mm, 1,500 WMB markers (5 mm) per reel	white	2009-115
Marking strip, plain, 11 mm wide, 50 m reel	white	200-110
Marker carrier, for lateral marker slots, 5 mm wide		

Carrier rails and tools,
see Volume 1, Section 13

Marking accessories,
see Volume 6

Approvals and corresponding ratings,
visit www.wago.com



Stud terminal block, one M8 stud, for DIN-35 rail		
Color	Item No.	Pack. Unit
● gray	885-108	25



Stud terminal block, one M10 stud, for DIN-35 rail		
Color	Item No.	Pack. Unit
● gray	885-110	20



Stud terminal block, one M12 stud, for DIN-35 rail		
Color	Item No.	Pack. Unit
● gray	885-112	20

IEC/EN 60947-7-1
1000 V
8 kV
150 A
50 mm ²
2.5 ... 50 mm ² / 14 ... 1/0 AWG
2.5 ... 50 mm ² / 14 ... 1/0 AWG
22.8 mm / 0.898 inch
6 ... 12 Nm
Polyamide 66 (PA 66)

IEC/EN 60947-7-1
1000 V
8 kV
269 A
120 mm ²
6 ... 120 mm ² / 10 AWG ... 250 kcmil
6 ... 120 mm ² / 10 AWG ... 250 kcmil
33.8 mm / 1.331 inch
10 ... 20 Nm
Polyamide 66 (PA 66)

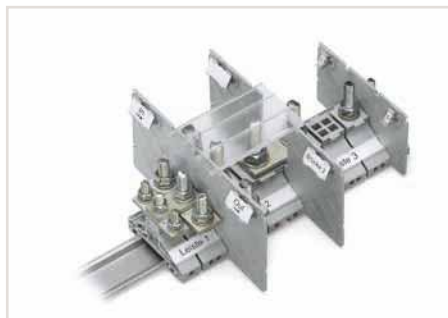
IEC/EN 60947-7-1
1000 V
8 kV
269 A
120 mm ²
6 ... 120 mm ² / 10 AWG ... 250 kcmil
6 ... 120 mm ² / 10 AWG ... 250 kcmil
33.8 mm / 1.331 inch
10 ... 20 Nm
Polyamide 66 (PA 66)

	Item No.	Pack. Unit
2-way	885-408	5
3-way	885-428	5
	885-448	5
gray	885-508	20
gray	885-528	25
gray	885-548	25
transparent	885-566	1
gray	885-580	100(25)
white	2009-115	1
white	200-110	1

	Item No.	Pack. Unit
2-way	885-410	5
3-way	885-430	5
	885-470	5
gray	885-510	20
gray	885-540	25
gray	885-530	25
gray	885-550	25
transparent	885-570	1
gray	885-580	100(25)
white	2009-115	1
white	200-110	1
gray	2009-198	200(25)

	Item No.	Pack. Unit
2-way	885-412	5
3-way	885-432	5
gray	885-510	20
gray	885-540	25
gray	885-530	25
gray	885-550	25
transparent	885-570	1
gray	885-580	100(25)
white	2009-115	1
white	200-110	1
gray	2009-198	200(25)

Stud Terminal Blocks M6, M8 and M10 885 Series



Stud Terminal Blocks

Stud terminal block,
three M6 studs, for DIN-35 rail

Color	Item No.	Pack. Unit
● gray	885-306	25

Technical Data

Ratings per	IEC/EN 60947-7-1
Rated voltage (III / 3)	1000 V
Rated impulse voltage (III / 3)	8 kV
Rated current	125 A
Nominal cross-section	35 mm ²
Connection Data	
Solid conductor	2.5 ... 35 mm ² / 14 ... 2 AWG
Fine-stranded conductor	2.5 ... 35 mm ² / 14 ... 2 AWG
Terminal block width	17.8 mm / 0.701 inch
Tightening torque range	3 ... 6 Nm
Insulation material	Polyamide 66 (PA 66)

Accessories

	Item No.	Pack. Unit	
Assembled jumper bar			
2-way	885-406	5	
3-way	885-426	5	
Step-down adjacent jumper bar, M8 to M6			
Step-down adjacent jumper bar, M10 to M6			
Empty housing, 17.8 mm thick	gray	885-506	25
Empty housing, 22.8 mm thick			
Empty housing, 33.8 mm thick			
Separator plate, 2 mm thick, 102.3 mm wide	gray	885-526	25
Separator plate, 2 mm thick, 157 mm wide			
Separator plate, with assembled jumper bar recess, 2 mm thick, 102.3 mm wide	gray	885-546	25
Separator plate, with assembled jumper bar recess, 2 mm thick, 157 mm wide			
Cover, 1 m long	transparent	885-566	1
Clip, secures cover against slipping	gray	885-580	100(25)
WMB Inline, plain, stretchable from 5 ... 5.2 mm, 1,500 WMB markers (5 mm) per reel	white	2009-115	1
Marking strip, plain, 11 mm wide, 50 m reel	white	200-110	1
Marker carrier, for lateral marker slots, 5 mm wide			

Carrier rails and tools,
see Volume 1, Section 13

Marking accessories,
see Volume 6

Approvals and corresponding ratings,
visit www.wago.com



Stud terminal block, three M8 studs, for DIN-35 rail

Color	Item No.	Pack. Unit
● gray	885-308	25



Stud terminal block, three M10 studs, for DIN-35 rail

Color	Item No.	Pack. Unit
● gray	885-310	10

IEC/EN 60947-7-1
1000 V
8 kV
150 A
50 mm ²

IEC/EN 60947-7-1
1000 V
8 kV
269 A
120 mm ²

2.5 ... 50 mm ² / 14 ... 1/0 AWG
2.5 ... 50 mm ² / 14 ... 1/0 AWG
22.8 mm / 0.898 inch
6 ... 12 Nm
Polyamide 66 (PA 66)

6 ... 120 mm ² / 10 AWG ... 250 kcmil
6 ... 120 mm ² / 10 AWG ... 250 kcmil
33.8 mm / 1.331 inch
10 ... 20 Nm
Polyamide 66 (PA 66)

	Item No.	Pack. Unit
2-way	885-408	5
3-way	885-428	5
	885-448	5
gray	885-508	20
gray	885-528	25
gray	885-548	25
transparent	885-566	1
gray	885-580	100(25)
white	2009-115	1
white	200-110	1

	Item No.	Pack. Unit
2-way	885-410	5
3-way	885-430	5
	885-470	5
gray	885-510	20
gray	885-530	25
gray	885-550	25
transparent	885-570	1
gray	885-580	100(25)
white	2009-115	1
white	200-110	1
gray	2009-198	200(25)

Stud Terminal Blocks, Accessories

885 Series



Assembled jumper bar, double			
for:	Item No.	Pack. Unit	
M16 stud bolts	885-406	5	
M8 stud bolts	885-408	5	
M10 stud bolts	885-410	5	
M12 stud bolts	885-412	5	



Assembled jumper bar, triple			
for:	Item No.	Pack. Unit	
M16 stud bolts	885-426	5	
M8 stud bolts	885-428	5	
M10 stud bolts	885-430	5	
M12 stud bolts	885-432	5	



Step-down adjacent jumper bar, M8 to M6			
for:	Item No.	Pack. Unit	
M8/M6 stud bolts	885-448	5	



Step-down adjacent jumper bar, M10 to M6			
for:	Item No.	Pack. Unit	
M10/M6 stud bolts	885-470	5	



Empty housing			
for:	Color	Item No.	Pack. Unit
M6 stud terminal blocks, 17.8 mm thick	gray	885-506	25
M8 stud terminal blocks, 22.8 mm thick	gray	885-508	20
M10 and M12 stud terminal blocks, 33.8 mm thick	gray	885-510	20



Separator plate, 2 mm thick			
for:	Color	Item No.	Pack. Unit
M6 stud terminal blocks, 102.3 mm wide	gray	885-526	25
M8 stud terminal blocks, 102.3 mm wide	gray	885-528	25
M10 and M12 stud terminal blocks, 76 mm wide	gray	885-540	25
M10 and M12 stud terminal blocks, 157 mm wide	gray	885-530	25




Separator plate, with assembled jumper bar recess, 2 mm thick			
for:	Color	Item No.	Pack. Unit
M6 stud terminal blocks, 102.3 mm wide	gray	885-546	25
M8 stud terminal blocks, 102.3 mm wide	gray	885-548	25
M10 and M12 stud terminal blocks, 157 mm wide	gray	885-550	25





Cover, 1 m long, transparent			
for:	Color	Item No.	Pack. Unit
M6 and M8 stud terminal blocks	transparent	885-566	25
M10 and M12 stud terminal blocks	transparent	885-570	25



Clip, secures cover against slipping			
for:	Color	Item No.	Pack. Unit
Stud Terminal Blocks M6, M8, M10 and M12	gray	885-580	25

 Carrier rails and tools,
see Volume 1, Section 13

 Marking accessories,
see Volume 6

 Approvals and corresponding ratings,
visit www.wago.com

Item Number Index

Item No.	Page	Item No.	Page	Item No.	Page	Item No.	Page
249 Series		400-477 Series					
249-117	2	400-477/477-510	2				
		400-477/477-511	2				
400-405 Series		400-490 Series					
400-405/405-767	12	400-490/490-001	12				
400-405/405-768	13	400-490/490-002	13				
400-405/405-769	13	400-490/490-003	13				
400-405/405-770	14	400-490/490-004	14				
400-405/405-771	15	400-490/490-005	15				
400-405/405-772	12	400-490/490-016	12				
400-405/405-773	12	400-490/490-017	13				
400-405/405-774	13	400-490/490-018	13				
400-405/405-775	13	400-490/490-019	14				
400-405/405-776	13						
400-405/405-777	13	400-499 Series					
400-405/405-778	14	400-499/499-024	5				
400-405/405-779	14						
400-406 Series		400-499/499-176	5				
400-406/406-053	6						
400-406/406-055	6	400-499/499-704	7				
		400-499/499-706	7				
400-406/406-126	7	400-499/499-715	6				
		400-499/499-717	6				
400-406/406-223	7	400-499/499-787	9				
		400-499/499-788	6				
400-415 Series		885 Series					
400-415/415-124	2	885-106	18				
		885-108	19				
400-415/415-216	3	885-110	21				
		885-112	21				
400-415/415-556	3						
400-416 Series		885-306	19				
400-416/416-298	8	885-308	19				
400-416/416-299	9	885-310	21				
400-425 Series		885-406	22				
400-425/425-124	2	885-408	22				
		885-410	22				
400-425/425-216	3	885-412	22				
		885-426	22				
400-425/425-556	3	885-428	22				
		885-430	22				
400-463 Series		885-432	22				
400-463/463-430	2	885-448	22				
400-463/463-431	2	885-470	22				
400-465 Series		885-506	22				
400-465/465-111	4	885-508	22				
		885-510	22				
400-465/465-575	5	885-526	22				
		885-528	22				
400-473 Series		885-530	22				
400-473/473-147	2	885-540	22				
		885-546	22				
400-473/473-316	2	885-548	22				
400-473/473-317	2	885-550	22				
400-473/473-318	2	885-566	22				
400-473/473-319	2	885-570	22				
400-473/473-323	2	885-580	22				
400-473/473-327	2						
400-473/473-328	2	2009 Series					
		2009-110	12				
400-473/473-621	2	2009-115	12				
400-473/473-622	2	2009-198	14				
400-473/473-623	2						
400-473/473-624	2						
400-473/473-625	2						
400-477 Series							
400-477/477-508	2						
400-477/477-509	2						

WAGO Worldwide Companies and Representatives

- Algeria**
please contact WAGO France
- Argentina**
Bruno Schillig S.A.
Arenales 4030, B1604CFD
Florida, PBA
Phone +54 11 4730 1100
Fax +54 11 4761 7244
wago@schillig.com.ar
- Austria**
WAGO Kontakttechnik Ges.m.b.H.
Europaring F15 602
Campus 21
2345 Brunn am Gebirge
Phone +43 1 6150780
Fax +43 1 6150775
info.at@wago.com
- Azerbaijan**
AZ Technics LTD
Zulfi V. Alizade
Y.Safarov str.33, AZ1025,
Baku
Republic of Azerbaijan
Phone +994 12 496 8335
Fax +994 12 496 8334
info@AZtechnics.az
- Australia**
WAGO Pty. Ltd.
2-4 Overseas Drive
Noble Park, Victoria, 3174
Phone +61 03 8791 6300
Fax +61 03 9701 0177
sales.anz@wago.com.au
- Bangladesh**
please contact WAGO India
- Belarus**
OOO FEK
pr-t Pushkina 29-B
220015 Minsk
Phone +375 17 2102189
Fax +375 17 2102189
wago@fek.by
- UP ATAVA
ul. Denisovskaya, 47, office 1
220006 Minsk
Phone +375 17 2054015
Fax +375 17 2851759
- Belgium**
WAGO BeLux nv
Excelsiorlaan 11
1930 Zaventem
Phone +32 2 717 9090
Fax +32 2 717 9099
info-be@wago.com
- Bolivia**
ISOTEK S.R.L.
Zona Casco Viejo
Calle Isso #578, B/San Roque
Santa Cruz
Phone +591 721 000 27
- Bosnia and Herzegovina**
please contact WAGO Bulgaria
- Brazil**
WAGO Eletroeletrônicos Ltda
Rua Américo Simões 1470
São Roque da Chave
Itupeva SP Brasil 13295-000
Phone +55 11 4591 0199
Fax +55 11 4591 0190
info.br@wago.com
- Bulgaria**
WAGO Kontakttechnik GmbH & Co. KG/
Representative Office Sofia
Business Center Serdika
2E Akad. Ivan Geshov Blvd.
Building 1, Floor 4, Office 417
1330 Sofia
Phone +359 2 489 46 09/10
Fax +359 2 928 28 50
info-BG@wago.com
- Canada**
please contact WAGO USA
- Chile**
Desimat Chile
Av Puerto Vespuccio 9670
Pudahuel Santiago
Phone +56 2 747 0152
Fax +56 2 747 0153
ventaschile@desimat.cl
- China**
WAGO ELECTRONIC (TIANJIN) Co. LTD
No.5, Quan Hui Road
Wuqing Development Area
Tianjin 301700
Phone +86 22 5967 7688
Fax +86 22 5961 7668
info-cn@wago.com
- Colombia**
T.H.L. Ltda.
Cra. 49 B # 91-33
Bogotá
Phone +57 1 621 85 50
Fax +57 1 621 60 28
ventas-thl@thl-ltdda.com
- Croatia**
M.B.A. d.o.o.
Frana Supila 5
51211 Matulji
Phone +385 51 275-736
Fax +385 51 275-066
mba@ri.htnet.hr
- MICROSTAR d.o.o.
Siget 18 b
10020 Zagreb
Phone +385 1 3647 849
Fax +385 1 3636 662
wago@microstar.hr
- Czech Republic**
WAGO Elektro spol. sr. o.
Rozvodova 1116/36
143 00 Praha 4 - Modřany
Phone +420 261 090 143
Fax +420 261 090 144
info.cz@wago.com
wago-cz@wago.com
- Denmark**
WAGO Denmark A/S
Lejrvej 17
3500 Værløse
Phone +45 44 357 777
info.dk@wago.com
- Egypt**
IBN Engineering Instrumentation & Control
71 a El Shaheed Ahmed Hamdi St.
King Faisal, Giza
Phone +20 2 721 4350
Fax +20 2 722 1709
sales@ibnengineering.com
- Ecuador**
ECUAINSETEC CIA LTDA
El Zurriago E9-32 y el Vengador
Quito
Phone +593 2 2 26 91 48
Fax +593 2 2 46 18 33
g.castro@ecuainsetec.com.ec
- Estonia**
Eltarko OÜ
Laki 14 - 502
10621 Tallinn
Phone +372 651 7731
Fax +372 651 7786
andres@eltarko.ee
- Finland**
WAGO Finland Oy
Vellamonkatu 30 B
00550 Helsinki
Phone +358 9 7744 060
Fax +358 9 7744 0660
tilaus@wago.fi
- France**
WAGO Contact SAS
Paris Nord 2
83 Rue des Chardonnerets
B.P. 55065 - Tremblay en France
95947 - ROISSY CDG CEDEX
Phone +33 1 4817 2590
Fax +33 1 4863 2520
info-fr@wago.com
- Germany**
WAGO Kontakttechnik GmbH & Co. KG
Postfach 28 80, 32385 Minden
Hansastraße 27
32423 Minden
Phone +49 571 887-0
Fax +49 571 887-844169
info@wago.com
- Germany**
WAGO Kontakttechnik GmbH & Co. KG
Waldstraße 1
99706 Sondershausen
Phone +49 3632 659-0
Fax +49 3632 659-100
info@wago.com
- Great Britain**
WAGO Limited
Triton Park, Swift Valley Industrial Estate
RUGBY
Warwickshire, CV21 1SG
Phone +44 1788 568 008
Fax +44 1788 568 050
uksales@wago.com
- Greece**
PANAGIOTIS SP. DIMOULAS - BIOMAT
DIMOULAS AUTOMATIONS
Kritis Str. 26
10439 Athen
Phone +30 210 883 3337
Fax +30 210 883 4436
wago.info@dimoulas.com.gr
- Honduras**
CILASAS S.A. de C.V.
Barrio Los Andes
7 Calle entre 14 y 15 Ave. N.O.
P.O. Box. 1061
San Pedro Sula
Phone +504 2557 1146/7
Fax +504 2557 1149
- Hong Kong**
National Concord Eng., Ltd.
Unit A-B, 5/F.
Southeast Industrial Building
611-619 Castle Peak Road
Tsuen Wan, N.T.
Phone +852 2429 2611
Fax +852 2429 2164
sales@nce.com.hk
- Hungary**
WAGO Hungária KFT
Ipari Park, Gyár u. 2
2040 Budapest
Phone +36 23 502-170
Fax +36 23 502-166
info.hu@wago.com
- Iceland**
S. Gudjonsson ehf.
Audbrekku 9-11
202 Kopavogur
Phone +354 520-4500
Fax +354 520-4501
export@wago.com
- India**
WAGO Private Limited
C-27, Sector-58, Phase-III
Noida-201 301
Gautam Budh Nagar (U.P)
Phone +91 120 438 8700
Fax +91 120 438 8799
info.india@wago.com
- Indonesia**
please contact WAGO Singapore
- Iraq**
please contact WAGO Middle East
- Ireland**
Drives & Controls
Unit F4, Riverview Business Park
Nangor Road
Dublin 12
Phone +353 1 4604474
Fax +353 1 4604507
wago@drivesandcontrols.ie
- Israel**
Comtel Israel Electronic Solutions Ltd.
Bet Hapaamon
20 Hataas Street
P.O. Box 66
44425 Kefar-Saba
Phone +972 9 76 77 240
Fax +972 9 76 77 243
sales@comPhoneco.il
- Italy**
WAGO ELETTRONICA SRL a Socio
Unico
Via Parini 1
40033 Casalecchio di Reno (BO)
Phone +39 051 6132112
Fax +39 051 6272174
info-ita@wago.com
- Japan**
WAGO Co. of JAPAN Ltd.
Kinshicho Prime Tower
5-7, Kameido, Koto-Ku
Tokyo 136-0071
Phone +81 3 5627 2059
Fax +81 3 5627 2055
info-jp@wago.com
- Jordan**
please contact WAGO Middle East
- Kazakhstan**
TOO INTANT
232/2, Ryskulov avenue
050061 Almaty
Phone +7 727 356 52 91/92/93
Fax +7 727 327 14 92/93
ee@intant.net
ees_sm1@intant.net
- TOO Technik-Trade
ul. i. A. Protosanova, 81
070004 Ust-Kamenogorsk
Phone +7 7232 254 064
Fax +7 7232 253 251
info@technik.kz
- Korea**
WAGO Korea Co., Ltd.
Room 205 AnyangMegaValley,
268, Hagui-ro, Dongan-gu, Anyang-si,
Gyeonggi-do, 14056, South Korea
Phone +82 31 421 9500
info.korea@wago.com
- Kosovo**
please contact WAGO Bulgaria
- Latvia**
INSTABALT LATVIA SIA
Vestienas iela 6
Riga, LV-1035
Phone +371 790 1188
Fax +371 790 1180
info@instabalt.lv
- Lebanon**
Gemayel Trading & Contracting
Antonins Project
P.O. BOX 70-1096
Antelias
Lebanon
Phone +961 4 521 029
Fax +961 4 521 029
info@uae.com
- Lithuania**
INSTABALT LIT UAB
Savanorių 187
Vilnius, 2053
Phone +370 52 322 295
Fax +370 52 322 247
info@instabalt.lt
- Luxembourg**
please contact WAGO Belgium
- Macedonia**
please contact WAGO Bulgaria
- Kompjunet Inzenering
Vladimir Komarov 1A-3/9
1000 Skopje
Republic of Macedonia
Phone +389 2 521 12 00
Phone +389 2 246 11 08
- Malaysia**
WAGO Representative Office Malaysia
No 806, Block A4, Leisure Commerce Square,
No 9, Jalan PJS 8/9, 46150 Petaling Jaya,
Selangor Darul Ehsan, Malaysia
Phone +60 3 7877 1776
Fax +60 3 7877 2776
kian.guan.tan@wago.com
- HPH Materials (M) Sdn Bhd
No. 4, Jalan Nilam 1/6
Suban Hi-Tech Industrial Park
40000 Shah Alam
Selangor, D.E. Malaysia
Phone +60 3 5638 2213
Fax +60 3 5638 8213
info@hphmaterials.com
- Maldives**
please contact WAGO India

Mexico

WAGO SA de CV
Av. Del Marques 38 Bodega 3
P. I. Bernardo Quintana
76240 El Marques, Querétaro
Phone +52 442 221 5946
Fax +52 442 221 5063
info.mx@wago.com

Moldova

Electroservice Slavinschi T.T.
str. Bolgarskaia 9, office 6
2001 Kishinev
Phone +373 22 274427
Fax +373 22 224481
es@es.mldnet.com

Morocco

Automatisme & Connection Maroc
23, Rue Boured
2ème étage, appt4
Roche Noire
20300 Casablanca
Phone +212 522 24 21 72/73
Fax +212 522 24 21 75

Nepal

please contact WAGO India

Netherlands

WAGO Nederland B.V.
Laan van de Ram 19
7234 BW APELDOORN
Phone +31 55 36 83 500
Fax +31 55 36 83 599
info-nl@wago.com

New Zealand

please contact WAGO Australia

NHP NZ

7 Lockhart Place
Mt Wellington
New Zealand
Phone +64 9 2761967
Fax +64 9 2761992
export@wago.com

Nigeria

GIL Automations Ltd.
Daily Times Complex
2 Lateef Jakande Rd., Agidingbi
100271 Ikeja, Lagos State
Phone +234 17132672335
sales@gilautomation.com

Norway

WAGO Norge AS
Jerikoveien 20
1067 Oslo
Phone +47 22 30 94 50
Fax +47 22 30 94 51
info.no@wago.com

Oman

please contact WAGO Middle East

Pakistan

FuziLogiX Automation & Control
Suit No. 14, 5th Floor, Shan Arcade
New Garden Town, Lahore
Pakistan
Phone +92 42 594 1503 - 4
Fax +92 42 585 1431
info@fuzilogix.com

Peru

Manufacturas Eléctricas S.A.
Av O.R. Benavides 1215
15000 Lima
Phone +511 6196200
Fax +511 6196247

Philippines

please contact WAGO Singapore

Poland

WAGO ELWAG sp. z o. o.
ul. Piękna 58 a
50-506 Wrocław
Phone +48 71 3602970
Fax +48 71 3602999
wago.elwag@wago.com

Portugal

MORGADO & CA. LDA - SEDE
Estrada Exterior da
Circunvalação 3558/3560
Apartado 1057
4435 Rio Tinto
Phone +351 22 9770600
Fax +351 22 9770699
geral@morgadocl.pt

Qatar

please contact WAGO Middle East

Romania

WAGO Kontakttechnik GmbH & Co.
KG/
Representative Office Bukarest
Str. Nicolae G. Caramfil Nr. 26
Bl. 1D, Et. 3, Ap. 7, Sect. 1, OP 52
014144-Bucuresti
Phone +40-(0)31 421 85 68
info-RO@wago.com

Romania

VDR & Servicii srl
Str. Valeriu Braniște, nr. 60, ap.1, sector
3
Romania
Phone +40 21 3225074/76
Fax +40 21 3225075
office@componente-automatizari.ro

Russia

OOO WAGO Contact Rus
Dmitrovskoe shosse, 157,
bldg. 12/5
127411 Moscow
Russia
Phone +7 495 663-3305
Fax +7 495 663-3308
info.ru@wago.com

OOO Decima

Projesd 4922, d. 4, str. 1
124460 Moscow / Selenograd
Phone +7 495 988 4858
Fax +7 495 988 4858

OOO Prosoft

ul. Profsouznaya, 108
117437 Moscow
Phone +7 495 2340636
Fax +7 495 2340640
info@prosoft.ru

ITC Electronics: Moscow

Radio str. 24
105005 Moscow
Phone +7 495 775 1845
Fax +7 495 775 1848
moscow@itc-electronics.com

WAGO Branch office

Ekaterrinburg
Phone +7 343 216 3426

WAGO Branch office

Novosibirsk
Phone +7 383 217 9244

WAGO Branch office

St. Petersburg
Phone +7 812 312 1918

Saudi Arabia

Saudi Electronic Trading Company
(SETRA)
P.O. Box 60712
11555-Riyadh
Phone +966 1 2062277
Fax +966 1 2062277
khaled.wafai@setra.com.sa

Serbia

please contact WAGO Bulgaria

Avalon Partners doo

Patrijarha Dimitrija 24
11000 Beograd
Phone +381 11 268 5311
Fax +381 11 268 5311
office@avalon.rs

Sigma doo

Balzakova 3
21000 Novi Sad
Phone +381 21 468 431
Fax +381 21 636 1785
office@sigmadoo.co.rs

Singapore

WAGO Electronic Pte Ltd
No. 10 Upper Aljunied Link #04-04
Singapore 367904
Phone +65 62866776
Fax +65 62842425
info-sing@wago.com

Slovakia

Proelektr spol. s r.o.
Na barine 22
841 03 Bratislava - Lamač
Phone +421 2 4569 2503
info@wago.sk

Slovenia

IC elektronika d.o.o.
Vodovodna cesta 100
1000 Ljubljana
Phone +386 1568 0126
Fax +386 1568 9107
info@ic-elect.si

GENERA d.o.o.

Prevala 10
1236 Trzin
Phone +386 14393050
Fax +386 14393090
genera@genera.si

Slovenia

Elektronabava d.o.o.
Cesta 24 junija 3
1231 Ljubljana
Phone +386 1 58 99 300
Fax +386 1 58 99 409
info@elektronabava.si

South Africa

Shorrock Automation (Pty) Ltd
Postnet Suite # 219
Private Bag X 8, Elardus Park
0047 PRETORIA
Phone +27 12 4500300
Fax +27 12 4500322
sales@shorrock.co.za

Spain

DICOMAT S.L.
Avda. de la Industria, 36
Apartado Correos, 1.178
28108-Alcobendas (Madrid)
Phone +34 91 662 1362
Fax +34 91 661 0089
info@dicomat.com

Sweden

WAGO Sverige AB
Tyskland Lillal
Box 11 1127, 161 11 BROMMA
Besöksadress: Adolfsbergsv. 31
Phone +46 858410680
Fax +46 858410699
info.se@wago.com

Switzerland

WAGO CONTACT SA
Rte. de l'Industrie 19
Case Postale 168
1564 Domdidier
Phone +41/26 676 75 00
Fax +41/26 676 75 01
info.switzerland@wago.com

Sri Lanka

please contact WAGO India

Syria

Zahabi Co.
8/5 Shouhadaa St., P.O. Box 8262
Aleppo
Phone +963 21 21 22 235 / 6
Fax +963 21 21 22 23 7
info.uae@wago.com

Taiwan R.O.C.

WAGO Contact, Ltd.
5F., No.168, Jiankang Rd
Zhonghe City
Taipei County 23585, Taiwan
Phone +886 2 2225 0123
Fax +886 2 2225 1511
info.taiwan@wago.com

Thailand

WAGO Representative Office Thailand
4th Floor, KS Building
213/6-8 Rachada-Phisek Road
Dingdaeng, Bangkok 10400
Phone +66 2 6935611
Fax +66 2 6935612
warongkon.khankham@wago.com

US Power Distribution Co., Ltd.

4th Floor, KS Building
213/6-8 Rachada-Phisek Road
Dingdaeng, Bangkok 10400
Phone +66 2 2763040
Fax +66 2 2763049
uspwr2014@gmail.com

Tunisia

please contact WAGO France

Turkey

WAGO Elektronik Sanayi ve Ticaret
Ltd. Şti.
Yukan Dudullu Mahallesi Bayraktar
Bulvarı
Cad. Hattat Sok. No. 10
34775 Ümraniye - Istanbul
Phone +90 216 472 1133
Fax +90 216 472 9910
info.tr@wago.com

Ukraine

NPP Logicon
Predslavinskaya street, 39, office 303
03150 Kiev
Phone +380 44 5228019
Fax +380 44 2611803
info@logicon.ua

OOO Micropribor

ul. Kotelnikova, 4
03115 Kiev
Phone +380 44 5369386
Fax +380 44 5369387
sales@micropribor.kiev.ua

United Arab Emirates (UAE)

WAGO Middle East (FZC)
SAIF Zone, Q4-282
P.O. Box 120665
Sharjah, UAE
Phone +971 6 5579920
Fax +971 6 5579921
info.uae@wago.com

Uruguay

Fivisa Electricidad
Avda. Uruguay 1274
11100 Montevideo
Phone +59 829 020 808
Fax +59 829 021 230
info@fivisa.com.uy

USA

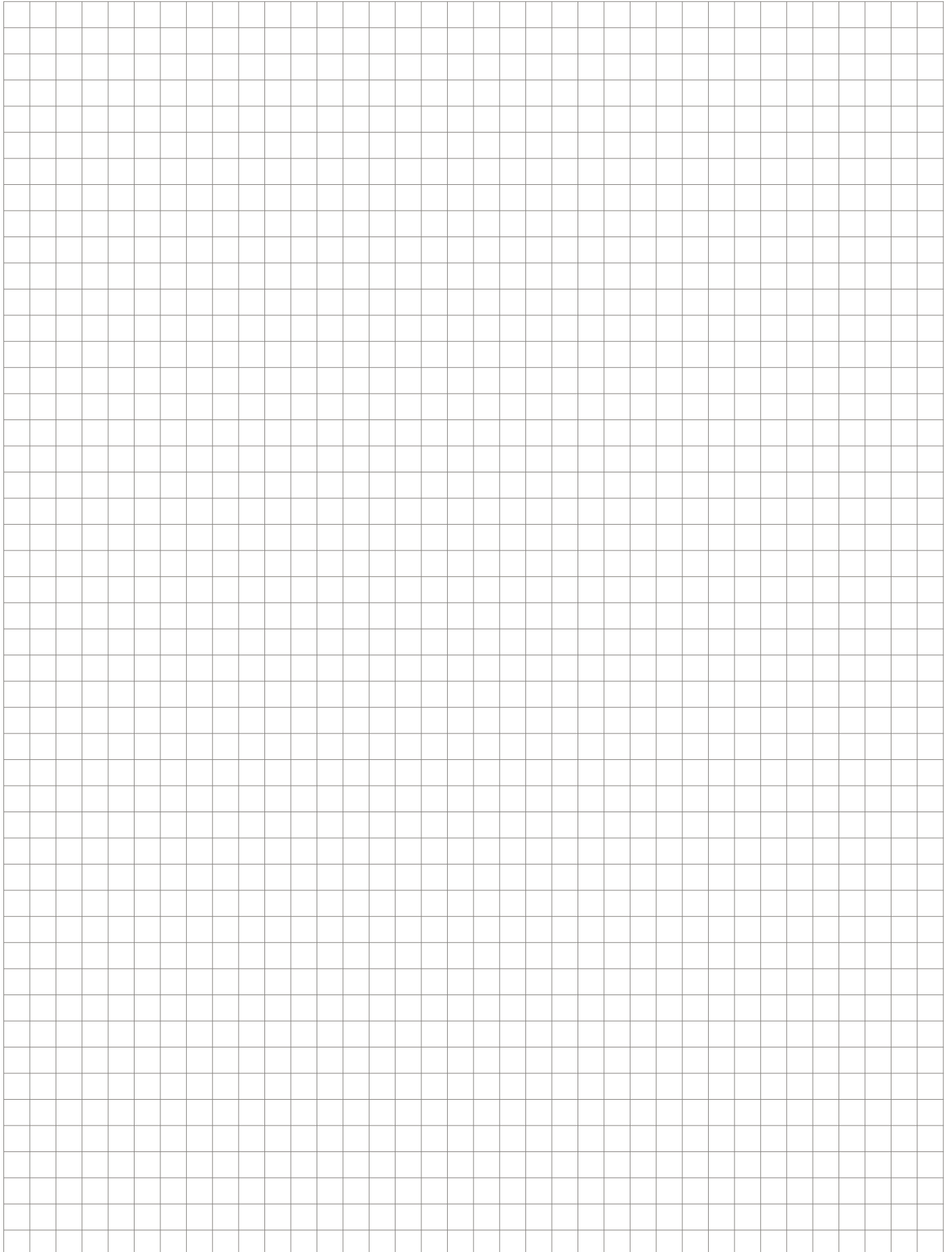
WAGO CORPORATION
N120 W19129 Freistadt Road
Germantown, WI 53022
Phone +1 262 255 6222
Fax +1 262 255 3232
Toll-Free: 1-800 DIN Rail (346-7245)
info.us@wago.com

Venezuela

PETROBORNAS, C.A.
C.C. PLAZA AEROPUERTO - PISO 1 -
LOCAL P1 - B - 03
(8015) UNARE - PUERTO ORDAZ -
ESTADO BOLIVAR
REPÚBLICA BOLIVARIANA DE VENE-
ZUELA
Phone +58 286 951 3382
Fax +58 286 951 3382
info@petrobornas.com

Vietnam

please contact WAGO Germany
(Minden)



WAGO Kontakttechnik GmbH & Co. KG

Postfach 2880 · 32385 Minden
Hansastraße 27 · 32423 Minden
info@wago.com
www.wago.com

Headquarters	+49 571 887 - 0
Sales	+49 571 887 - 44222
Order Service	+49 571 887 - 44333
Fax	+49 571 887 - 844169