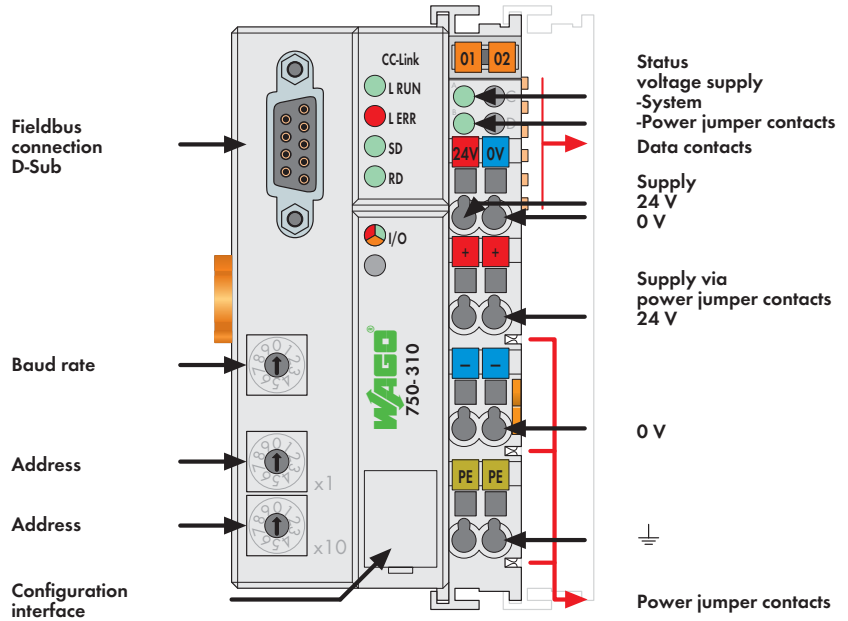


# CC-Link Fieldbus Coupler

156 Kbaud ... 10 Mbaud; digital and analog signals





This buscoupler connects the WAGO-I/O-SYSTEM as a slave to the CC-Link fieldbus.

The buscoupler automatically configures, creating a local process image which may include analog, digital or specialty modules. Analog and specialty module data is sent via words and/or bytes, digital data is sent bit by bit.

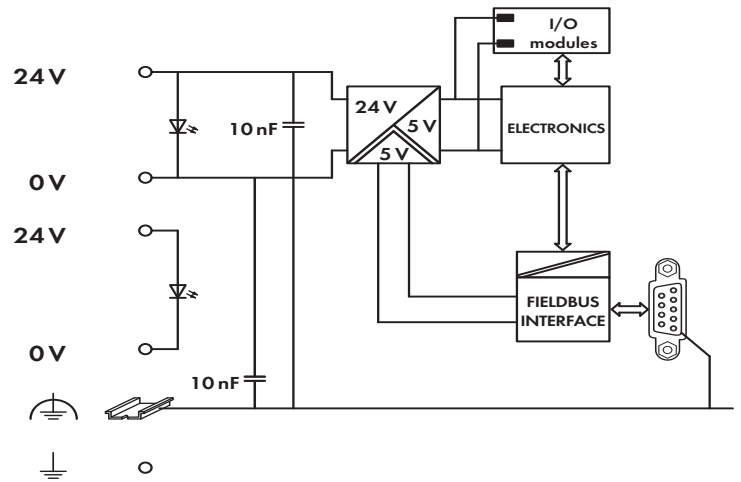
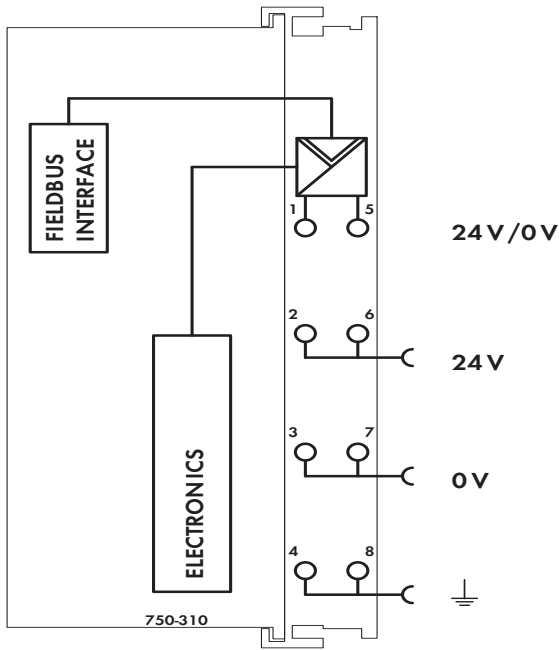
CC-Link stores the process image in the corresponding Master control (PLC, PC or NC).

The local process image is divided into two data zones containing the data received and the data to be sent. The process data can be sent via the CC-Link fieldbus to the PLC, PC or NC for further processing, and received from the field via CC-Link.

The data of the analog modules is stored in the process image which is created automatically according to the order in which the modules are connected to the buscoupler. The bits of the digital modules are sent byte by byte and added to the analog data. If the amount of digital information exceeds 8 bits, the buscoupler automatically starts with a new byte.

Description	Item No.	Pack. Unit
CC-Link	750-310	1
<b>Accessories</b>		
<b>Miniature WSB Quick marking system</b>		
 plain	248-501	5
with marking	see Section 11	
Bus connector with D-Sub male connector; 9 poles	750-965	1
<b>Approvals</b>		
Conformity marking	CE	
Korea Certification		
UL 508		
ANSI/ISA 12.12.01	Class I, Div. 2, Grp. ABCD, T4	
TÜV 07 ATEX 554086 X	I M2 Ex d I Mb, II 3 G Ex nA IIC T4 Gc, II 3 D Ex tc IIIC T1 35°C Dc	
IECEX TUN 09.0001 X	Ex d I Mb, Ex nA IIC T4 Gc, Ex tc IIIC T1 35°C Dc	

System Data	
No. of couplers connected to Master	64
Transmission medium	Shielded Cu cable 2 / 3 x 0.5 mm <sup>2</sup>
Max. length of bus line	100 m ... 1200 m (depends on baud rate/cable)
Baud rate	156 Kbaud ... 10 Mbaud
Buscoupler connection	1 x D-Sub 9; socket



## Technical Data

Number of I/O modules	64
Station addresses	up to 4
Max. input process image	14-byte digital, 2-byte system, 32-byte analog
Max. output process image	14-byte digital, 2-byte system, 32-byte analog
Power supply	24 VDC (-25 % ... +30 %)
Max. input current (24 V)	500 mA
Power supply efficiency	87 %
Internal current consumption (5 V)	300 mA
Total current for I/O modules (5 V)	1700 mA
Isolation	500 V system/supply
Voltage via power jumper contacts	24 VDC (-25 % ... +30 %)
Current via power jumper contacts (max.)	10 A DC

## General Specifications

Operating temperature	0 °C ... +55 °C
Wire connection	CAGE CLAMP®
Cross sections	0.08 mm² ... 2.5 mm² / AWG 28 ... 14
Strip lengths	8 ... 9 mm / 0.33 in
Dimensions (mm) W x H x L	51 x 65 x 100
	Height from upper-edge of DIN 35 rail
Weight	210 g
Storage temperature	-25 °C ... +85 °C
Relative air humidity (no condensation)	95 %
Vibration resistance	acc. to IEC 60068-2-6
Shock resistance	acc. to IEC 60068-2-27
Degree of protection	IP20
EMC immunity of interference	acc. to EN 61000-6-2
EMC emission of interference	acc. to EN 61000-6-4