

# 750-312, 750-314, 750-315, 750-316

## MODBUS Fieldbus Coupler

RS 232/485; 150 (1200) baud ... 19.2 (115.2) Kbaud; digital and analog signals

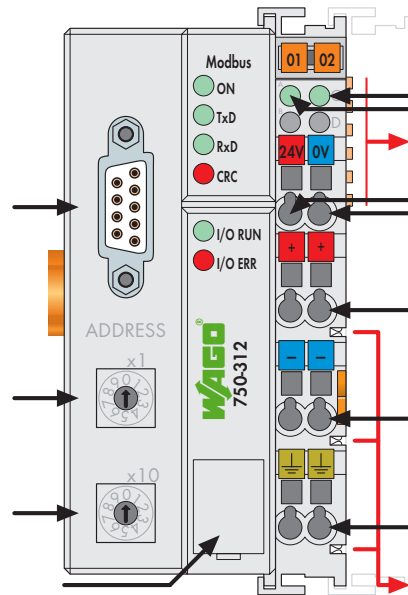


Fieldbus connection  
D-Sub

Address

Address

Configuration interface



Status voltage supply  
-Power jumper contacts  
-System

Data contacts

Supply  
24 V  
0 V

Supply via power jumper contacts  
24 V

0 V




Power jumper contacts

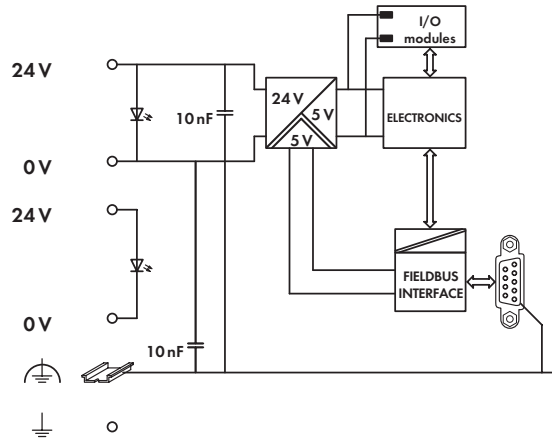
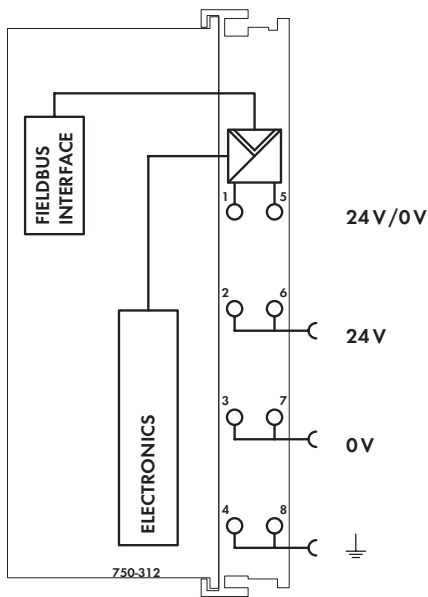
This buscoupler allows connection of the WAGO-I/O-SYSTEM as a slave to the MODBUS fieldbus.

The buscoupler automatically configures, creating a local process image which may include analog, digital or specialty modules. Analog and specialty module data is sent via words and/or bytes, digital data is sent bit by bit.

The data of the analog modules is stored in the process image which is created automatically according to the order in which the modules are connected to the buscoupler. The bits of the digital modules are sent byte by byte and added to the analog data. If the amount of digital information exceeds 8 bits, the buscoupler automatically starts with a new byte.

Description	Item No.	Pack. Unit
MODBUS / RS 485 / 150 ... 19200 Bd	750-312	1
Product discontinuation	Last Call: 31.05.2018	
Product substitutes:	750-315/300-000	
MODBUS / RS 232 / 150 ... 19200 Bd	750-314	1
Product discontinuation	Last Call: 31.05.2018	
Product substitutes:	750-316/300-000	
MODBUS / RS 485 / 1.2 ... 115.2 kBd	750-315	1
Product discontinuation	Last Call: 31.05.2018	
Product substitutes:	750-315/300-000	
MODBUS / RS 232 / 1.2 ... 115.2 kBd	750-316	1
Product discontinuation	Last Call: 31.05.2018	
Product substitutes:	750-316/300-000	
Accessories	Item No.	Pack. Unit
<b>Miniature WSB Quick marking system</b>		
 plain	248-501	5
with marking	see pages 352 ... 353	
Approvals	Also see "Approvals Overview" in Section 1	
Conformity marking	CE	
Shipbuilding	ABS, BV, DNV, GL, KR, LR, NKK, PRS, RINA	
UL 508	Class I, Div. 2, Grp. ABCD, T4	
ANSI/ISA 12.12.01	750-314	
IEC 60079-0, -15	750-315	
	750-316	
EN 60079-0, -15	I M2 / II 3 GD Ex nA nL IIC T4	
EN 61241-0, -1		

System Data	
No. of couplers connected to Master	99 with repeater
Max. no. of I/O points	approx. 6000 (depends on master)
Transmission medium	Shielded Cu cable 2 (4) x 0.25 mm <sup>2</sup>
Max. length of fieldbus segment	1200 m (depends on baud rate/cable)
Baud rate	150 baud ... 19200 baud (750-312, 750-314) 1.2 Kbaud ... 115.2 Kbaud (750-315, 750-316)
Buscoupler connection	1 x D-Sub 9; socket



### Technical Data

Number of I/O modules	64
Fieldbus	
Max. input process image	512 bytes
Max. output process image	512 bytes
Configuration	DIP switch and 2 decimal coders or via PC or PLC
Power supply	24 V DC (-25 % ... +30 %)
Max. input current (24 V)	500 mA
Efficiency of the power supply	87 %
Internal current consumption (5 V)	350 mA
Total current for I/O modules (5 V)	1650 mA
Isolation	500 V system/supply
Voltage via power jumper contacts	24 V DC (-25 % ... +30 %)
Current via power jumper contacts (max.)	10 A DC

### General Specifications

Operating temperature	0 °C ... +55 °C
Wire connection	CAGE CLAMP®
Cross sections	0.08 mm² ... 2.5 mm² / AWG 28 ... 14
Stripped lengths	8 ... 9 mm / 0.33 in
Dimensions (mm) W x H x L	51 x 65 x 100
	Height from upper-edge of DIN 35 rail
Weight	199 g
Storage temperature	-25 °C ... +85 °C
Relative air humidity (no condensation)	95 %
Vibration resistance	acc. to IEC 60068-2-6
Shock resistance	acc. to IEC 60068-2-27
Degree of protection	IP20
EMC: CE - immunity to interference	acc. to EN 61000-6-2 (2005)
EMC: CE - emission of interference	acc. to EN 61000-6-4 (2007)
EMC: marine applications	
- immunity to interference	acc. to Germanischer Lloyd (2003)
EMC: marine applications	
- emission of interference	acc. to Germanischer Lloyd (2003)