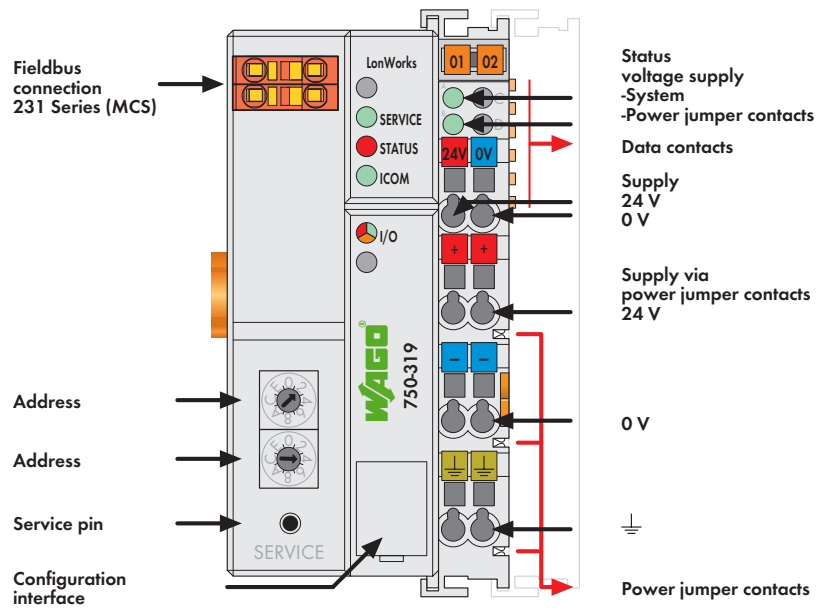


LONWORKS® Fieldbus Coupler

78 kbps; digital and analog signals



This buscoupler connects the WAGO-I/O-SYSTEM to the LON® fieldbus using FIT (Free Topologie Transceiver).

The buscoupler automatically configures, creating a local process image which may include analog, digital or specialty modules. Analog and specialty module data is sent via words and/or bytes, digital data is sent bit by bit.

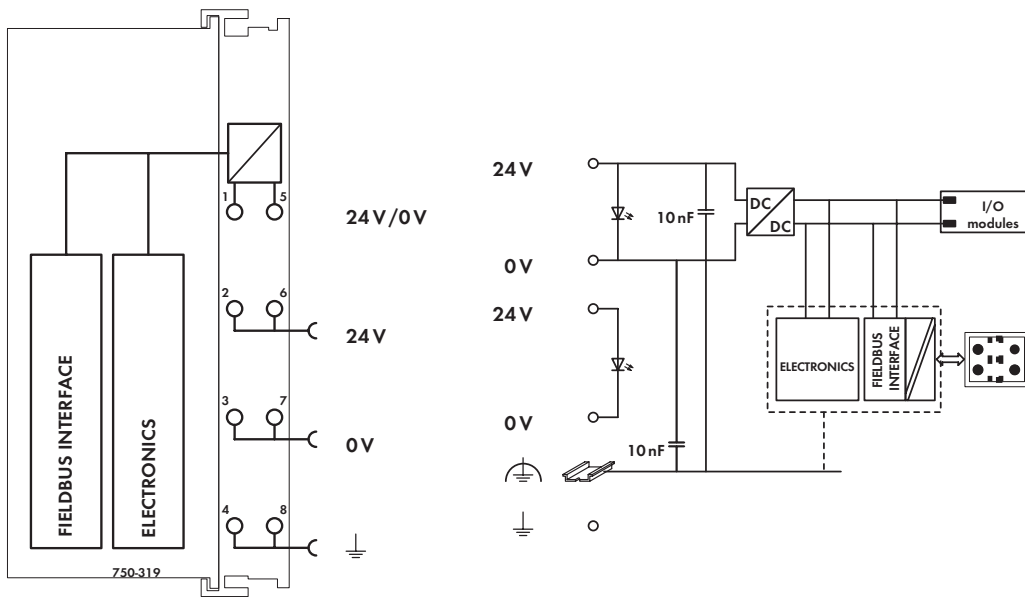
The following LNS compliant plug-ins are available:

- WAGO TOPLON®-PRIO (Programmable Remote I/O) is the interface between the I/Os of the fieldbus coupler and the LON® network. Processing of up to 248 digital or 124 analog inputs /outputs. To each network variable any SNVT can be assigned. A maximum of 52 network variables, types available NVI/NVOs: 0/52; 20/32; 26/26; 32/20; 52/0.
- WAGO TOPLON®-IF (Installation Functions) with ready-to-use applications in any combination. For example, for stairwell light control, ambient light control, touch control dimmer, and window blind control. Processing of up to 48 digital inputs /outputs. 48 network variables of the SNVT_switch type are available.

LON® and LONWORKS® are registered trademarks of Echelon Corporation.

Description	Item No.	Pack. Unit
LonWorks®	750-319	1
Accessories		
WAGO LNS Plug-In PRIO	see page 94	
Miniature WSB Quick marking system		
plain	248-501	5
with marking	see pages 352 ... 353	
Approvals		
Also see "Approvals Overview" in Section 1		
Conformity marking	CE	
UL 508		
ANSI/ISA 12.12.01	Class I, Div. 2, Grp. ABCD, T4	
IEC 60079-0, -15	BR-Ex nA II T4	
EN 60079-0, -15	I M2 / II 3 GD Ex nA nL IIC T4	
EN 61241-0, -1		

System Data	
No. of couplers connected to Master	64 without repeater, 127 with repeater
Transmission medium	Twisted pair - FTT
Max. length of fieldbus segment	500 m (free topology) 2700 m (bus-topology)
Topology	in accordance with LON specification
Baud rate	78 kbps
Buscoupler connection	2-pole male connector, 231 Series (MCS), female connector (231-302) (included)



Technical Data

Number of I/O modules	62
Digital signals	max. 248 (in- and outputs)
Analog signals	max. 124 (in- and outputs)
Configuration	via PC with LON Interface
Power supply	24 V DC (-1.5 % ... +20 %)
Max. input current (24 V)	500 mA
Efficiency of the power supply	87 %
Internal current consumption (5 V)	300 mA
Total current for I/O modules (5 V)	1700 mA
Isolation	500 V system/supply
Voltage via power jumper contacts	24 V DC (-1.5 % ... +20 %)
Current via power jumper contacts (max.)	10 A DC
Transceiver	FTT 10 A

General Specifications

Operating temperature	0 °C ... +55 °C
Wire connection	CAGE CLAMP®
Cross sections	0.08 mm ² ... 2.5 mm ² / AWG 28 ... 14
Stripped lengths	8 ... 9 mm / 0.33 in
Dimensions (mm) W x H x L	51 x 65 x 100
	Height from upper-edge of DIN 35 rail
Weight	200 g
Storage temperature	-25 °C ... +85 °C
Relative air humidity (no condensation)	95 %
Vibration resistance	acc. to IEC 60068-2-6
Shock resistance	acc. to IEC 60068-2-27
Degree of protection	IP20
EMC: CE - immunity to interference	acc. to EN 61000-6-2 (2005)
EMC: CE - emission of interference	acc. to EN 61000-6-4 (2007)