

II/O-LIGHTBUS Fieldbus Coupler

2.5 Mbaud; digital signals

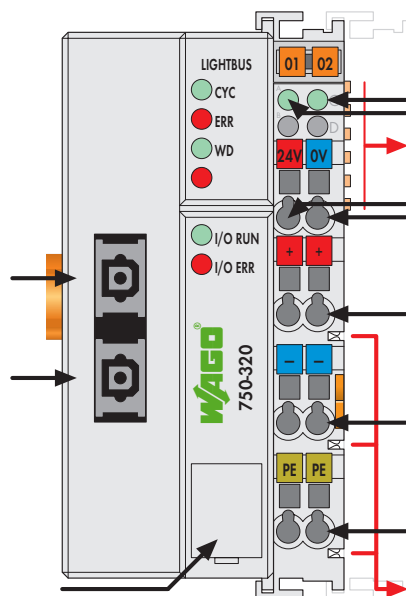


Fieldbus connection fiber optic

Signal input

Signal output

Configuration interface



Status voltage supply
-Power jumper contacts
-System

Data contacts

Supply
24 V
0 V

Supply via power jumper contacts
24 V


0 V



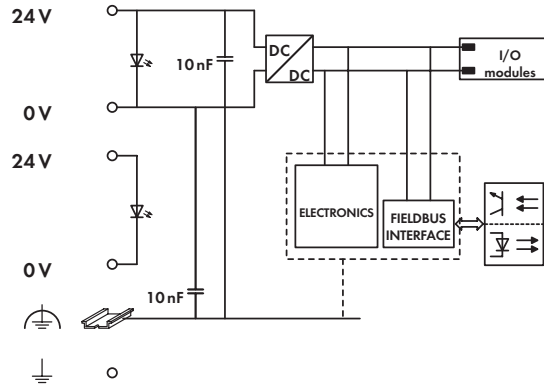
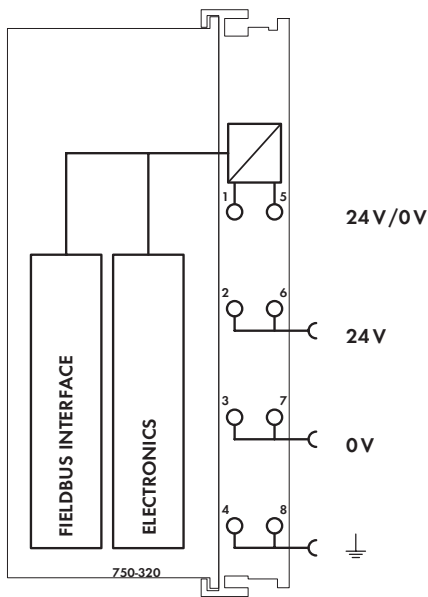
Power jumper contacts

This buscoupler connects the WAGO-I/O-SYSTEM as a slave to the LIGHTBUS fieldbus. The buscoupler automatically configures, creating a local process image which may include analog, digital or specialty modules.

The data of the modules is stored in the process image which is created automatically according to the order in which the modules are connected to the buscoupler. The bits of the digital modules are sent byte by byte and added to the analog data. If the amount of digital information exceeds 8 bits, the buscoupler automatically starts with a new byte.

Description	Item No.	Pack. Unit
II/O-LIGHTBUS / Digital	750-320	1
Accessories		
Miniature WSB Quick marking system		
 plain	248-501	5
with marking	see pages 352 ... 353	
Approvals		
Also see "Approvals Overview" in Section 1		
Conformity marking	CE	
UL 508		
ANSI/ISA 12.12.01	Class I, Div. 2, Grp. ABCD, T4	
EN 50021	II 3 G EEx nA II T4	

System Data	
No. of couplers connected to Master	254
Max. no. of I/O points	16192
Transmission medium	Fiber optic cable; APF (pastic) or HCS
Max. length of fieldbus segment	140 ft (45 m) [APF]; 900 ft (300 m)
Baud rate	2.5 Mbaud
Transmission time	1 ms (10 couplers); 32 digital I/Os per coupler
Buscoupler connection	2 x fiber optic cable Z1000 (APF); Z1010 (HCS)



Technical Data

Number of I/O modules	64
Fieldbus	
Max. input process image	512 bytes
Max. output process image	512 bytes
Configuration	via PC or PLC
Power supply	24 V DC (-15 % ... +20 %)
Max. input current (24 V)	500 mA
Efficiency of the power supply	87 %
Internal current consumption (5 V)	350 mA
Total current for I/O modules (5 V)	1650 mA
Isolation	500 V system/supply
Voltage via power jumper contacts	24 V DC (-15 % ... +20 %)
Current via power jumper contacts (max.)	10 A DC

General Specifications

Operating temperature	0 °C ... +55 °C
Wire connection	CAGE CLAMP®
Cross sections	0.08 mm ² ... 2.5 mm ² / AWG 28 ... 14
Stripped lengths	8 ... 9 mm / 0.33 in
Dimensions (mm) W x H x L	51 x 65 x 100
	Height from upper-edge of DIN 35 rail
Weight	200 g
Storage temperature	-25 °C ... +85 °C
Relative air humidity (no condensation)	95 %
Vibration resistance	acc. to IEC 60068-2-6
Shock resistance	acc. to IEC 60068-2-27
Degree of protection	IP20
EMC: CE - immunity to interference	acc. to EN 61000-6-2 (2005)
EMC: CE - emission of interference	acc. to EN 61000-6-4 (2007)