

INTERBUS ECO Fieldbus Coupler

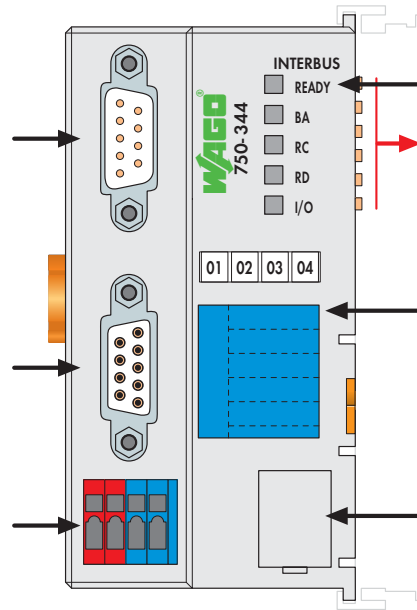
500 Kbaud; digital and analog signals



Fieldbus connection
D-Sub
Input

Fieldbus connection
D-Sub,
Output

Supply
24 V
0 V



The ECO fieldbus coupler is designed for applications with a reduced scale I/O requirement. Using digital only process data or small amounts of analogs, while retaining all of the choice that's offered by the Series 750 I/O.



The coupler has an integrated supply terminal for the system voltage. The field power jumper contacts are supplied via a separate supply module.

The INTERBUS bus coupler automatically configures, creating a local process image which may include analog, digital or specialty modules.

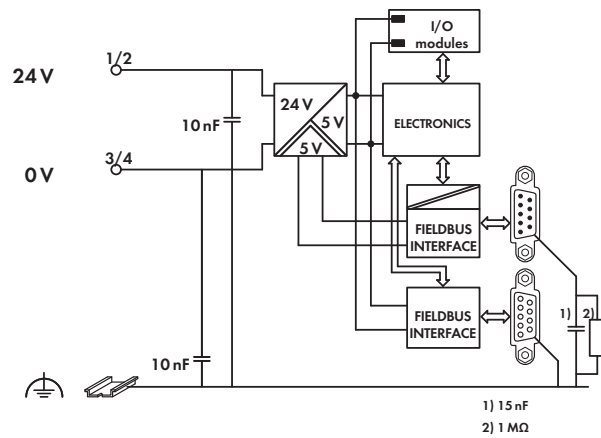
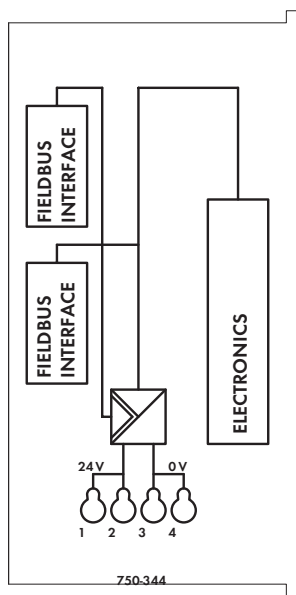
INTERBUS stores the process image in the corresponding Master control (PLC, PC or NC).

The local process image is divided into two data zones containing the data received and the data to be sent. The process data can be sent via the INTERBUS fieldbus to the PLC, PC or NC for further processing, and received from the field via INTERBUS.

The data of the analog modules is stored in the process image which is created automatically according to the order in which the modules are connected to the buscoupler. The bits of the digital modules are sent byte by byte and added to the analog data. If the amount of digital information exceeds 8 bits, the buscoupler automatically starts with a new byte.

Description	Item No.	Pack. Unit
INTERBUS ECO 500 kbd	750-344	1
Product discontinuation	Last call: 01.03.2018	
Accessories		
INTERBUS files	Download: www.wago.com	
Miniature WSB Quick marking system		
 plain	248-501	5
with marking	see Section 11	
Standards and Approvals		
Standard	EN 50254	
Conformity marking	CE	
Korea Certification		
UL 508		
ANSI/ISA 12.12.01	Class I, Div. 2, Grp. ABCD, T4	
TÜV 12.1297 X (Brazil)	Ex nA IIC T4 Gc	
TÜV 07 ATEX 554086 X	I M2 Ex d I Mb, II 3 G Ex nA IIC T4 Gc, II 3 D Ex tc IIIC T135°C Dc	
IECEx TUN 09.0001 X	Ex d I Mb, Ex nA IIC T4 Gc, Ex tc IIIC T135°C Dc	

System Data	
No. of couplers connected to Master	256
Max. no. of I/O points	4096 (depends on master)
Transmission medium	Certified Cu cable
Max. length of fieldbus segment	400 m
Baud rate	500 Kbaud
Transmission time	typ. 1.43 ms (10 couplers; 32 digital I/Os per coupler)
Buscoupler connection	1 x D-Sub 9; plug for input interface 1 x D-Sub 9; socket for output interface



Technical Data

Number of I/O modules	64
Max. input process image	20 bytes
Max. output process image	20 bytes
Configuration	via PC or PLC
Power supply	24 V DC (-15 % ... +20 %)
Input current typ. at rated load (24 V)	260 mA
Efficiency of the power supply (typ.) at nominal load (24 V)	80 %
Internal current consumption (5 V)	350 mA
Total current for I/O modules (5 V)	650 mA

General Specifications

Operating temperature	0 °C ... +55 °C
Wire connection	CAGE CLAMP®
Cross sections	0.08 mm ² ... 1.5 mm ² / AWG 28 ... 16
Strip lengths	5 ... 6 mm / 0.22 in
Dimensions (mm) W x H x L	50 x 65 x 97
	Height from upper-edge of DIN 35 rail
Weight	115 g
Storage temperature	-25 °C ... +85 °C
Relative air humidity (no condensation)	95 %
Vibration resistance	acc. to IEC 60068-2-6
Shock resistance	acc. to IEC 60068-2-27
Degree of protection	IP20
EMC immunity of interference	acc. to EN 61000-6-2
EMC emission of interference	acc. to EN 61000-6-4