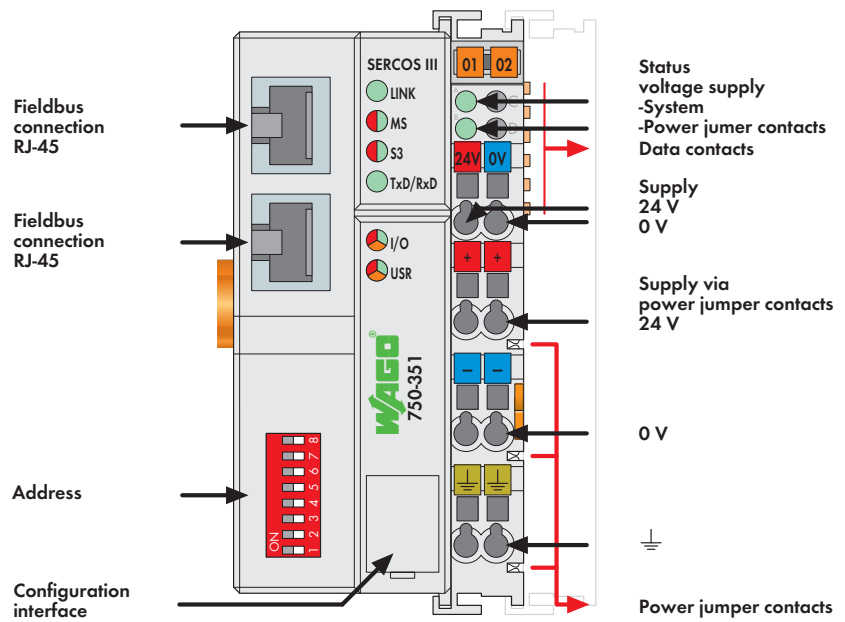




# SERCOS Fieldbus Coupler

2-port; 100 Mbit/s; digital and analog signals

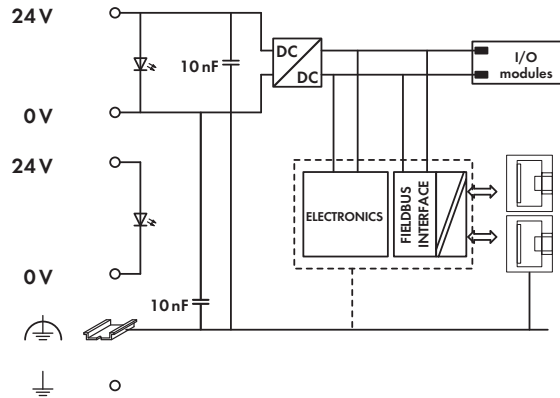
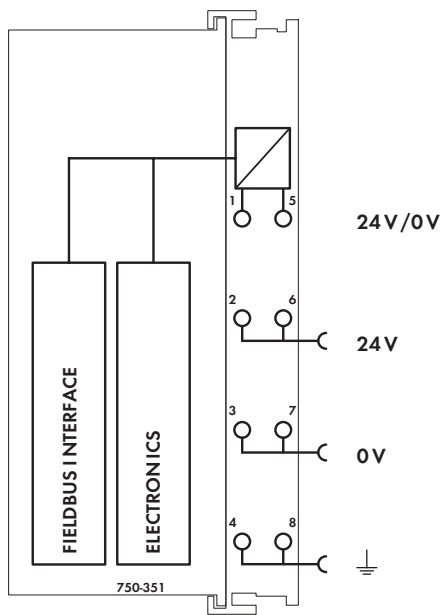


The 750-351 Fieldbus Coupler connects the WAGO I/O-SYSTEM to the SERCOS network. The fieldbus coupler is capable of supporting all WAGO I/O modules. The buscoupler automatically configures, creating a local process image which may include analog, digital or specialty modules. Analog and specialty module data is sent via words and/or bytes; digital data is sent bit by bit. The buscoupler can integrate into the application as a SERCOS I/O device and supports the SERCOS service channel (SVC), real-time channel (RTC) and TCP/IP communication standard.

Two integrated ports allow easy creation of a line or ring structure without requiring additional components. The ports support Auto-MDI/MDIX and will automatically detect the data direction so interchanging cables on the coupler will not impact operation. The SERCOS node ID is assigned directly via network configuration.

Description	Item No.	Pack. Unit
<b>SERCOS Coupler</b>	<b>750-351</b>	<b>1</b>
<b>Accessories</b>		
<b>Miniature WSB Quick marking system</b>		
 plain	<b>248-501</b>	<b>5</b>
with marking	see Section 11	
<b>Approvals</b>		
SERCOS version	V1.1.1	
IO profile	V1.1.1	
Conformity marking	CE	
Korea Certification		
Marine applications	ABS, BV, DNV, GL, KR, LR, PRS, RINA	
UL 508		
ANSI/ISA 12.12.01	Class I, Div. 2, Grp. ABCD, T4	
TÜV 07 ATEX 554086 X	I M2 Ex d I Mb, II 3 G Ex nA IIC T4 Gc, II 3 D Ex tc IIIC T135°C Dc	
IECEx TUN 09.0001 X	Ex d I Mb, Ex nA IIC T4 Gc, Ex tc IIIC T135°C Dc	

System Data	
Number of couplers (slaves) in Sercos ring	512
Transmission medium	Twisted Pair S-UTP 100 Ω Cat. 5
Max. length of fieldbus segment	100 m, limited by ETHERNET specification
Max. length of network	51.2 km, limited by ETHERNET specification
Baud rate	100 Mbit/s, full duplex
Buscoupler connection	2 x RJ-45
Protocols	SERCOS, FSP-IO, TCP/IP, FTP, HTTP, BootP, DHCP, SNTP
Supported services	SVC, RTC, CC, IP, ring break (GDP_Basic, SCP_VarCFG, SCP_Sync)



### Technical Data

Number of I/O modules	64
with bus extension	250
Max. input process image	2 Kbytes (RTC and SVC)
Max. output process image	2 Kbytes (RTC and SVC)
Configuration	Node configuration via: WAGO ETHERNET settings, Web-based management, WAGO-I/O-CHECK, SERCOS Master (CP2 or higher), address selector switch
Power supply	24 V DC (-25 % ... +30 %)
Max. input current (24 V)	500 mA
Power supply efficiency	87 %
Internal current consumption (5 V)	300 mA
Total current for I/O modules (5 V)	1700 mA
Isolation	500 V system/supply
Voltage via power jumper contacts	24 V DC (-25 % ... +30 %)
Current via power jumper contacts (max.)	10 A DC

### General Specifications

Operating temperature	0 °C ... +55 °C
Wire connection	CAGE CLAMP <sup>®</sup>
Cross sections	0.08 mm <sup>2</sup> ... 2.5 mm <sup>2</sup> / AWG 28 ... 14
Strip lengths	8 ... 9 mm / 0.33 in
Dimensions (mm) W x H x L	51 x 65 x 100
	Height from upper-edge of DIN 35 rail
Weight	210 g
Storage temperature	-25 °C ... +85 °C
Relative air humidity (no condensation)	95 %
Vibration resistance	acc. to IEC 60068-2-6
Shock resistance	acc. to IEC 60068-2-27
Degree of protection	IP20
EMC immunity of interference	acc. to EN 61000-6-2, marine applications
EMC emission of interference	acc. to EN 61000-6-4, marine applications