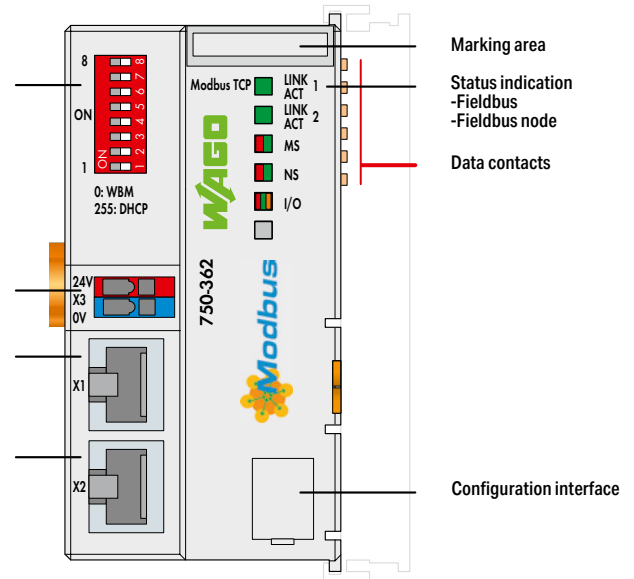


Modbus TCP Fieldbus Coupler



Address

Supply
24 V
0 VFieldbus
connection
RJ-45Fieldbus
connection
RJ-45

The 750-362 Modbus TCP/UDP Fieldbus Coupler connects ETHERNET to the modular WAGO I/O-SYSTEM. The fieldbus coupler automatically configures, creating a local process image which may include analog, digital or specialty modules. Two ETHERNET interfaces and an integrated switch allow the fieldbus to be wired in a line topology. This eliminates additional network devices such as switches or hubs. Both interfaces support Auto-Negotiation and Auto-MDI(X). The DIP switch configures the last byte of the IP address and may be used for IP address assignment (DHCP, BootP, static).

The coupler is designed for fieldbus communication in MODBUS networks. It also supports a wide variety of standard ETHERNET protocols (e.g., HTTP(S), BootP, DHCP, DNS, SNMP, (S)FTP). An integrated Web server provides configuration and status information to the coupler. The coupler has an integrated supply terminal for the system voltage.

The field power jumper contacts are supplied via a separate supply module.

Description	Item No.	Pack. Unit
Modbus TCP Fieldbus Coupler	750-362	1
Accessories		
Mini-WSB Quick Marking System, plain	248-501	50
Approvals		
Conformity marking	CE	
Marine applications	DNV GL	
☉ E175199 Ordinary Locations		
☉ TÜV 14 ATEX 148929 X	II 3G Ex ec IIC T4 Gc	
IECEX TUN 14.0035 X	Ex ec IIC T4 Gc	
☉ UL E198726 Hazardous Locations	Cl I, Div 2, Group A, B, C, D, T4	

Technical Data	
Communication	Modbus (TCP, UDP)
ETHERNET protocols	HTTP(S), BootP, DHCP, DNS, (S)FTP, SNMP
Baud rate	10/100 Mbit/s
Transmission medium	Twisted Pair S-UTP; 100 Ω; Cat 5; 100 m maximum cable length
Transmission performance	Class D per EN 50173
Number of fieldbus nodes on master (max.)	Limited by ETHERNET specification

