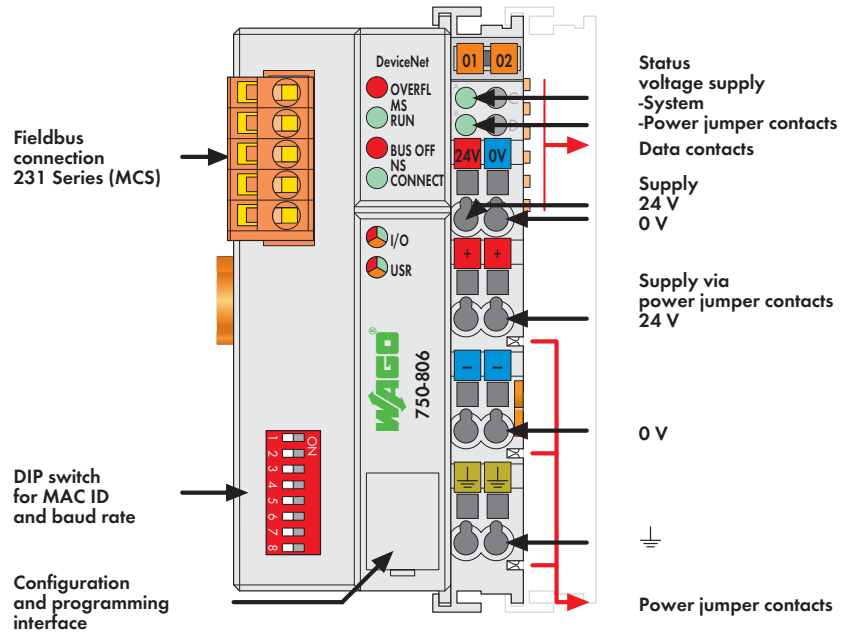


# PLC - DeviceNet Programmable Fieldbus Controller

16-bit CPU



The DeviceNet PLC combines control functionality, I/O interface and fieldbus in one device.

Programming of the application is done in accordance with IEC 61131-3. The programmer can access all fieldbus and I/O data.

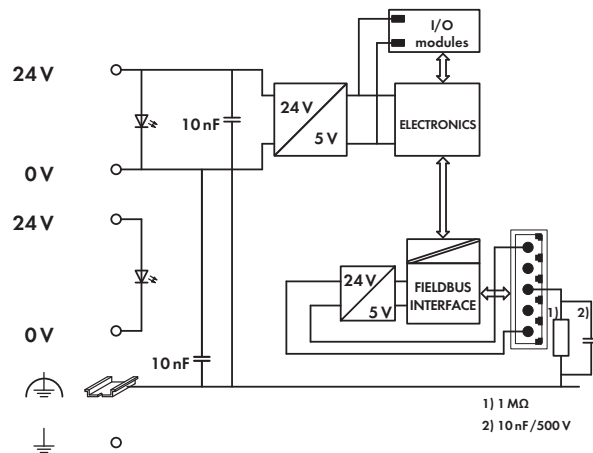
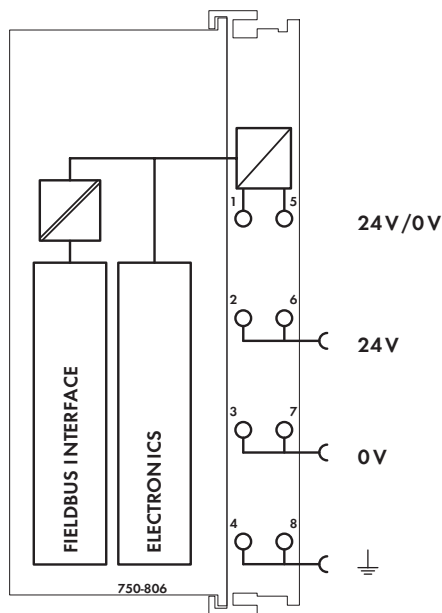
Features and applications:

- Use of decentralized control can better support a PLC or PC
- Complex applications can be divided into individually testable units
- Programmable fault response in the event of a fieldbus failure
- Signal pre-processing reduces fieldbus transmissions
- Peripheral equipment can be controlled directly, resulting in faster system response times
- Stand-alone, compact controller

**Notice: EDS files required**

Description	Item No.	Pack. Unit
<b>Contr. DeviceNet</b>	<b>750-806</b>	<b>1</b>
<b>Accessories</b>		
<b>EDS files</b> Download: <a href="http://www.wago.com">www.wago.com</a>		
<b>WAGO-I/O-PRO V2.3, RS-232 kit</b>	<b>759-333</b>	<b>1</b>
<b>Miniature WSB Quick marking system</b>		
plain	<b>248-501</b>	<b>5</b>
with marking	see Section 11	
<b>Approvals</b>		
Conformity marking	CE	
Korea Certification	KC	
Marine applications	ABS, BV, DNV, GL, KR, LR, NKK, PRS, RINA	
UL 508	Class I, Div. 2, Grp. ABCD, T4	
ANSI/ISA 12.12.01	Ex nA IIC T4 Gc	
TÜV 12.1297 X (Brazil)	I M2 Ex d I Mb,	
TÜV 07 ATEX 554086 X	II 3 G Ex nA IIC T4 Gc,	
	II 3 D Ex tc IIIC T135°C Dc	
IECEx TUN 09.0001 X	Ex d I Mb,	
	Ex nA IIC T4 Gc,	
	Ex tc IIIC T135°C Dc	

System Data	
No. of controllers connected to Master	64 with scanner
Max. no. of I/O points	approx. 6000 (depends on master)
Transmission medium	Shielded Cu cable Trunk line: 2 x 0.82 mm <sup>2</sup> + 2 x 1.7 mm <sup>2</sup> Drop line: 2 x 0.2 mm <sup>2</sup> + 2 x 0.32 mm <sup>2</sup>
Max. length of bus line	100 m ... 500 m (depends on baud rate/ cable)
Baud rate	125 Kbaud, 250 Kbaud, 500 Kbaud
Buscoupler connection	5-pole male connector, 231 Series (MCS), female connector 231-305/ 010-000/ 050-000 (included)
Programming	WAGO-I/O-PRO 32, from firmware version SW 08, also programmable with WAGO- I/O-PRO V2.3
IEC 61131-3	IL, LD, FBD (CFC), ST, FC



Technical Data	
Number of I/O modules	64
Max. input process image	1024 bytes
Max. output process image	1024 bytes
Max. input variables	512 bytes
Max. output variables	512 bytes
Configuration	via PC or PLC
Program memory	128 Kbytes
Data memory	64 Kbytes
Non-volatile memory (retain)	8 Kbytes
Cycle time	< 3 ms for 1,000 statements / 256 dig. I/Os
DeviceNet features	Polled I/O message connection
	Strobed I/O message connection
	Change of state
	Cyclic message connection
	UCMM
	DeviceNet master can be programmed using function blocks
Power supply	24 V DC (-25 % ... +30 %)
Current consumption	
via power supply terminal	< 500 mA / 24 V
via DeviceNet interface	< 120 mA / 11 V
Power supply efficiency	87 %
Internal current consumption (5 V)	350 mA
Total current for I/O modules (5 V)	1650 mA
Isolation	500V system/supply
Voltage via power jumper contacts	24 V DC (-25 % ... +30 %)
Current via power jumper contacts (max.)	10 A DC

General Specifications	
Operating temperature	0 °C ... +55 °C
Wire connection	CAGE CLAMP®
Cross sections	0.08 mm <sup>2</sup> ... 2.5 mm <sup>2</sup> / AWG 28 ... 14
Strip lengths	8 ... 9 mm / 0.33 in
Dimensions (mm) W x H x L	51 x 65 x 100
	Height from upper-edge of DIN 35 rail
Weight	200 g
Storage temperature	-25 °C ... +85 °C
Relative air humidity (no condensation)	95 %
Vibration resistance	acc. to IEC 60068-2-6
Shock resistance	acc. to IEC 60068-2-27
Degree of protection	IP20
EMC immunity of interference	acc. to EN 61000-6-2, marine applications
EMC emission of interference	acc. to EN 61000-6-4, marine applications