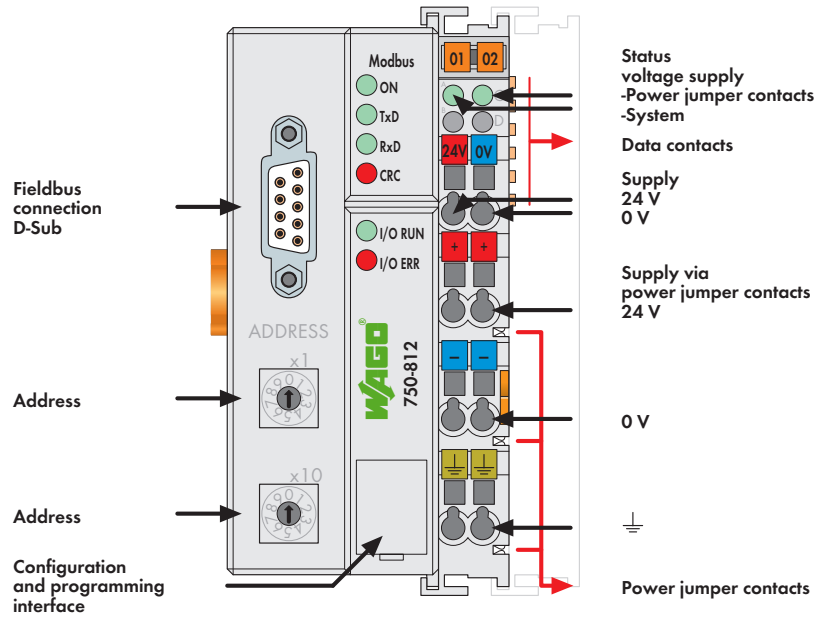


750-812, 750-814, 750-815, 750-816

PLC - MODBUS Programmable Fieldbus Controller

16-bit CPU




The MODBUS PLC is an expansion for the WAGO-I/O-SYSTEM.

This controller combines the WAGO fieldbus coupler for MODBUS with the functionality of a PLC. Programming PLC applications is performed in compliance with IEC 61131-3. The programmer can access all fieldbus and I/O data.

Features and applications:

- Use of decentralized control can better support a PLC or PC
- Complex applications can be divided into individually testable units
- Programmable fault response in the event of a fieldbus failure
- Signal pre-processing reduces fieldbus transmissions
- Peripheral equipment can be controlled directly, resulting in faster system response times
- Stand-alone, compact controller

Description	Item No.	Pack. Unit
Contr. MODBUS / RS 485 / 150 ... 19200 Bd	750-812	1
Product discontinuation	Last Call: 31.05.2018	
Product substitutes:	750-815/300-000	
Contr. MODBUS / RS 485 / 150 ... 19200 Bd/T	750-812/025-000	1
Extended temperature range: -20 °C ... +60 °C		
Product discontinuation	Last Call: 31.05.2018	
Product substitutes:	750-815/325-000	
Contr. MODBUS / RS 232 / 150 ... 19200 Bd	750-814	1
Product discontinuation	Last Call: 31.05.2018	
Product substitutes:	750-816/300-000	
Contr. MODBUS / RS 485 / 1.2 ... 115.2 kBd	750-815	1
Product discontinuation	Last Call: 31.05.2018	
Product substitutes:	750-815/300-000	
Contr. MODBUS / RS 485 / 1.2 ... 115.2 kBd/T	750-815/025-000	1
Extended temperature range: -20 °C ... +60 °C		
Product discontinuation	Last Call: 31.05.2018	
Product substitutes:	750-815/325-000	
Contr. MODBUS / RS 232 / 1.2 ... 115.2 kBd	750-816	1
Product discontinuation	Last Call: 31.05.2018	
Product substitutes:	750-816/300-000	
Accessories		
Miniature WSB Quick marking system		
 plain	248-501	5
with marking	see pages 352 ... 353	

System Data	
No. of controllers connected to Master	99 with repeater
Max. no. of I/O points	approx. 6000 (depends on master)
Transmission medium	Shielded Cu cable 2 (4) x 0.25 mm ²
Max. length of fieldbus segment	1200 m (depends on baud rate/cable)
Baud rate	150 baud ... 19200 baud (750-812, 750-814) 1.2 Kbaud ... 115.2 Kbaud (750-815, 750-816)
Buscoupler connection	1 x D-Sub 9; socket
Programming	WAGO-I/O-PRO 32
IEC 61131-3	IL, LD, FBD, ST, FC
Approvals	
Also see "Approvals Overview" in Section 1	
Conformity marking	CE
Shipbuilding (versions upon request)	ABS, BV, DNV, GL, KR, LR, NKK, PRS, RINA
UL 508	
ANSI/ISA 12.12.01	Class I, Div. 2, Grp. ABCD, T4 *
IEC 60079-0, -15	BR-Ex nA II T4 *
EN 60079-0, -15	I M2 / II 3 GD Ex nA nL IIC T4 *
EN 61241-0, -1	
*only for 750-812, 750-814, 750-815, 750-816	

