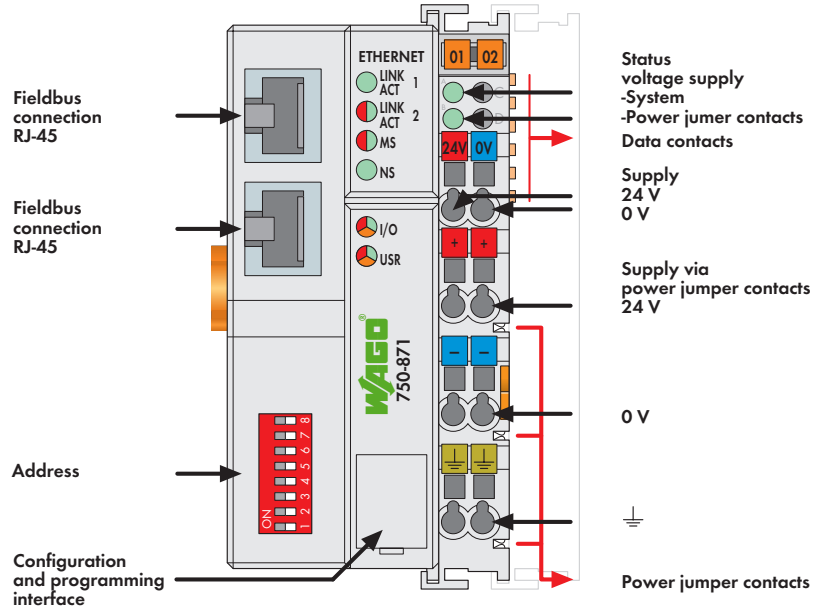


# 750-871

## PLC - ETHERNET TCP/IP Programmable Fieldbus Controller, 2 Ports

32-bit CPU, multitasking

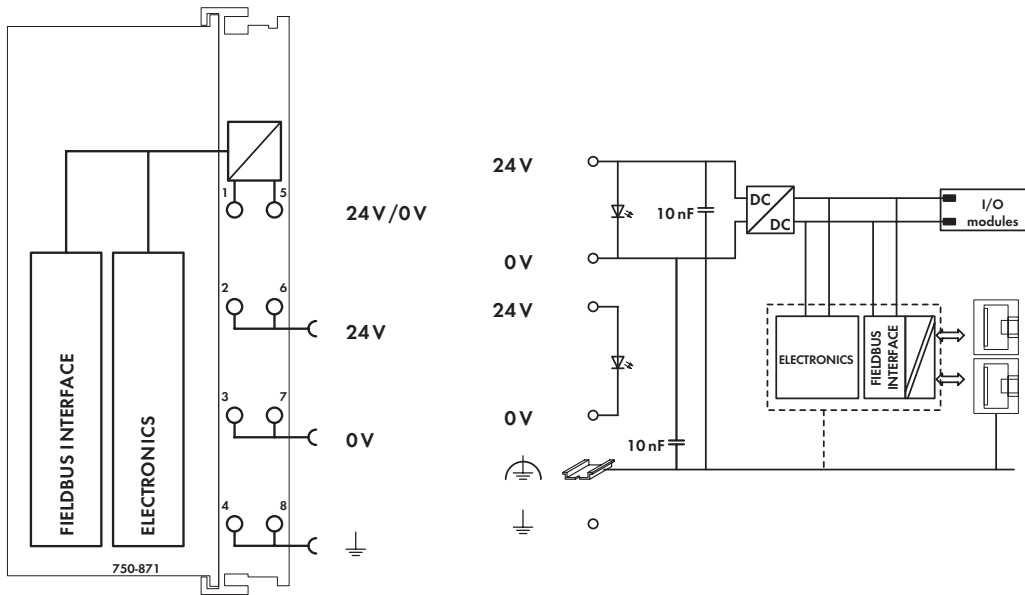


This PLC connects the ETHERNET fieldbus to the WAGO-I/O-SYSTEM. The controller automatically configures, creating a local process image which may include analog, digital or specialty modules. Analog and specialty module data is sent via words and/or bytes; digital data is sent bit by bit. The IEC 61131-3 programmable controller is capable of 10/100 Mbit/s data rates, providing 1 MB program memory, 512 KB data memory and 24 KB retain memory. It has a battery-backed RTC and 32-bit multitasking CPU.

The PLC offers many different application protocols which can be used for data acquisition or control (MODBUS, ETHERNET/IP) or for system management and diagnostics (HTTP, BootP, DHCP, DNS, SNTP, FTP, SNMP and SMTP). For Web-based applications, HTML pages can be generated on an internal server. The second ETHERNET interface allows daisy-chaining up to a maximum segment length of 100 m. Due to signal propagation time, the maximum number of controllers that can be wired in series is 20. In addition, the PLC provides the option of configuring the IP address via built-in DIP switch.

Description	Item No.	Pack. Unit
<b>ETHERNET TCP/IP 2-port Controller</b>	<b>750-871</b>	1
<b>Product discontinuation</b>	<b>Last Call: 31.12.2018</b>	
<b>Product substitutes:</b>	<b>750-881</b>	
Accessories	Item No.	Pack. Unit
<b>WAGO-I/O-PRO V2.3, RS-232 kit</b>	<b>759-333</b>	1
<b>Miniature WSB Quick marking system</b>		
plain	<b>248-501</b>	5
with marking	see pages 352 ... 353	
Approvals	Also see "Approvals Overview" in Section 1	
Conformity marking	<b>CE</b>	
Shipbuilding	ABS, DNV, GL, KR	
<b>UL 508</b>		
<b>ANSI/ISA 12.12.01</b>	Class I, Div. 2, Grp. ABCD, T4	
<b>EN 60079-0, -1</b>	I M2 / II 3 GD Ex nA nL IIC T4	
<b>EN 61241-0, -1</b>		

System Data	
No. of controllers connected to Master	limited by ETHERNET specification
Transmission medium	Twisted Pair S-UTP 100 Ω Cat 5
Max. length of fieldbus segment	100 m hub station and 750-871; max. length of network limited by ETHERNET specification
Baud rate	10/100 Mbit/s
Buscoupler connection	2 x RJ-45
Protocols	MODBUS/TCP (UDP), EtherNet/IP, HTTP, BootP, DHCP, DNS, SNTP, FTP, SNMP
Programming	WAGO-I/O-PRO V2.3
IEC 61131-3	IL, LD, FBD, ST, FC



Technical Data	
Number of I/O modules with bus extension	64 250
Fieldbus	
Max. input process image	2 Kbytes
Max. output process image	2 Kbytes
Max. input variables	512 bytes
Max. output variables	512 bytes
Configuration	via PC
Program memory	1024 Kbytes as from firmware 5, 512 kbyte (previous versions)
Data memory	512 Kbytes as from firmware 5, 256 kbyte (previous versions)
Non-volatile memory (retain)	24 Kbytes (16 Kbytes retain, 8 Kbytes flag)
Power supply	24 V DC (-25 % ... +30 %)
Max. input current [24 V]	500 mA
Efficiency of the power supply	87 %
Internal current consumption (5 V)	300 mA
Total current for I/O modules (5 V)	1700 mA
Isolation	500 V system/supply
Voltage via power jumper contacts	24 V DC (-25 % ... +30 %)
Current via power jumper contacts (max.)	10 A DC

General Specifications	
Operating temperature	0 °C ... +55 °C
Wire connection	CAGE CLAMP®
Cross sections	0.08 mm <sup>2</sup> ... 2.5 mm <sup>2</sup> / AWG 28 ... 14
Stripped lengths	8 ... 9 mm / 0.33 in
Dimensions (mm) W x H x L	51 x 65 x 100
	Height from upper-edge of DIN 35 rail
Weight	214.3 g
Storage temperature	-25 °C ... +85 °C
Relative air humidity (no condensation)	95 %
Vibration resistance	acc. to IEC 60068-2-6
Shock resistance	acc. to IEC 60068-2-27
Degree of protection	IP20
EMC: CE - immunity to interference	acc. to EN 61000-6-2 (2005)
EMC: CE - emission of interference	acc. to EN 61000-6-3 (2007)
EMC: marine applications	
- immunity to interference	acc. to Germanischer Lloyd (2003)
EMC: marine applications	
- emission of interference	acc. to Germanischer Lloyd (2003)