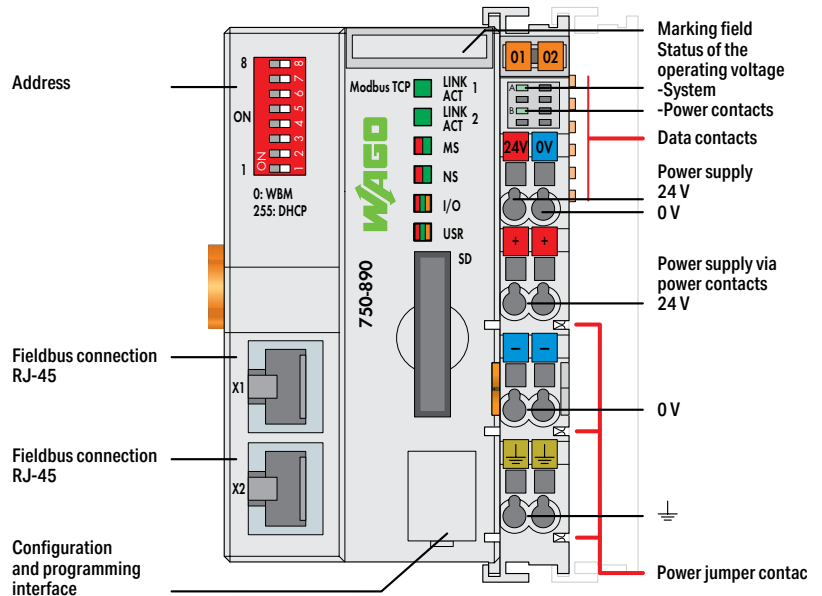
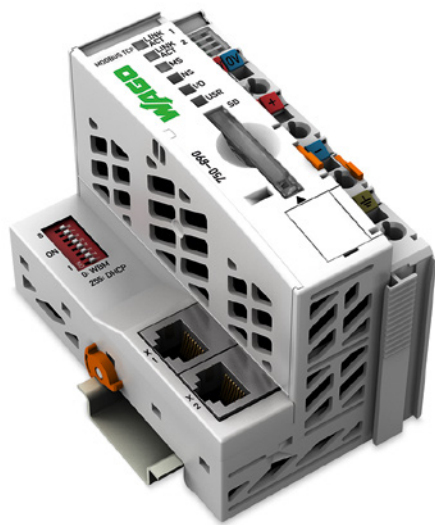


## Controller Modbus TCP; 4th generation; 2 x ETHERNET; SD Card Slot



WAGO's Modbus TCP Controller can be used as a programmable controller within ETHERNET networks in conjunction with the WAGO-I/O-SYSTEM.

It supports all digital, analog and specialty modules found within the 750/753 Series, and is suitable for data rates of 10/100 Mbit/s.

Two ETHERNET interfaces and an integrated switch allow the fieldbus to be wired in a line topology. This eliminates additional network devices, such as switches or hubs. Both interfaces support autonegotiation and Auto-MDI(X).

The DIP switch configures the last byte of the IP address and may be used for IP address assignment.

This controller supports Modbus TCP for use in industrial environments. It also supports a wide variety of standard ETHERNET proto-

cols for easy integration into IT environments (HTTP(S), BootP, DHCP, DNS, SNTP, SNMP, (S)FTP).

An integrated Webserver provides user configuration options, while displaying PLC status information.

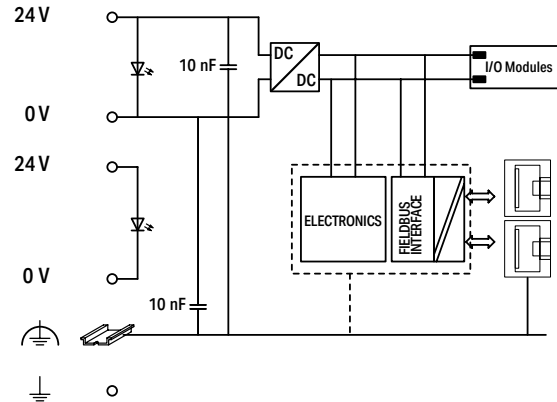
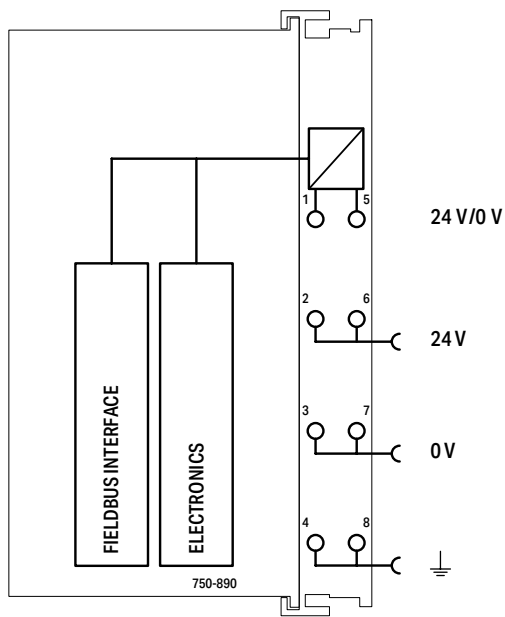
The IEC 61131-3 programmable controller is multitasking-capable and features a battery-backed RTC.

A data memory of 8 MB is available.

The controller is equipped with a removable memory card slot. A memory card can be used to transfer device parameters or files (e.g., boot files) from one controller to another. The memory card can be accessed via FTP and be used as an additional drive.

Description	Item No.	Pack. Unit
Controller Modbus TCP; G4; 2xETH; SD	750-890	1
<b>Accessories</b>		
WAGO-I/O-PRO V2.3; RS-232 Kit	759-333	1
SD memory card, 2 GB	758-879/000-001	1
Mini-WSB Quick Marking System; plain	248-501	50
<b>Approvals</b>		
Conformity marking	CE	
Marine applications	DNV GL	
E175199 Ordinary Locations		
TÜV 14 ATEX 148929 X	II 3G Ex ec IIC T4 Gc	
IECEX TUN 14.0035 X	Ex ec IIC T4 Gc	
UL E198726 Hazardous Locations	Cl I, Div 2, Group A, B, C, D, T4	

Technical Data	
Communication	Modbus (TCP, UDP)
ETHERNET protocols	HTTP(S), BootP, DHCP, DNS, SNTP, (S)FTP, SNMP
CPU	32 bits
Visualization	Web-Visu
Programming environment	WAGO-I/O-PRO V2.3 (based on CODE-SYS V2.3)
Programming languages	IL, LD, FBD (CFC), ST, FC
per IEC 61131-3	
Baud rate	10/100 Mbit/s
Transmission medium	Twisted Pair S-UTP; 100 Ω; Cat. 5; Line length (max.): 100 m
Transmission performance	Class D per EN 50173
No. of controllers connected to master	Limited by ETHERNET specification
Type of memory card	SD and SDHC up to 32 GB (all guaranteed properties only valid with WAGO 758-879/000-001 Memory Card)
SD card slot	Push-push mechanism, cover lid (sealable)



Technical Data	
Number of modules per node (max.)	250
Number of modules without bus extension (max.)	64
Configuration options	WAGO-I/O-CHECK; Web-Based Management; CODESYS Library
Input and output process image (internal) max.	1020 words/1020 words
Program memory	8192 KB
Data memory	8192 KB
Non-volatile memory (software)	32 KB
Indicators	LED (LINK/ACT) green: Network connection Port 1 ... 2; LED (MS, NS) red/green: Status of node, network; LED (I/O, USR) red/green/orange: Internal data bus status, status programmable by user; LED (A, B) green: System power supply status, field supply
Supply voltage (system)	24 VDC (-25 ... +30 %); via wiring level (CAGE CLAMP® connection)
Total current (system supply)	1700 mA
Input current (typ.) at nominal load (24 V)	500 mA
Power supply efficiency (typ.) at nominal load (24 V)	90 %
Current consumption – system supply (5 V)	440 mA
Supply voltage (field)	24 VDC (-25 ... +30 %); incoming via wiring level (CAGE CLAMP® connection); 24 VDC; outgoing via power jumper contacts
Isolation	500 V (system/supply)
Number of outgoing power jumper contacts	3
Current carrying capacity (power jumper contacts)	10 A

General Specifications	
Connection technology: communication/fieldbus	Modbus TCP/UDP: 2 x RJ-45
Connection technology: system/field supply	CAGE CLAMP®
Conductor cross sections	0.08 ... 2.5 mm <sup>2</sup> / 28 ... 14 AWG
Strip length	8 ... 9 mm / 0.31 ... 0.35 inch
Dimensions W x H x D (mm)	61.5 x 64.7 x 100;
	Height from upper-edge of DIN-rail
Mounting type	DIN-35 rail
Color	light gray
Housing material	Polycarbonate; Polyamide 6.6
Weight	151.7 g
Surrounding air temperature (operation)	0 ... 55 °C
Surrounding air temperature (storage)	-40 ... +85 °C
Protection type	IP20
Pollution degree	2 per IEC 61131-2
Operating altitude	0 ... 2000 m
Mounting position	Any
Relative humidity (without condensation)	95 %
Vibration resistance	4g per IEC 60068-2-6
Shock resistance	15g per IEC 60068-2-27
EMC immunity to interference	Per EN 61000-6-2, marine applications
EMC emission of interference	Per EN 61000-6-3, marine applications
Exposure to pollutants	Per IEC 60068-2-42 and IEC 60068-2-43