


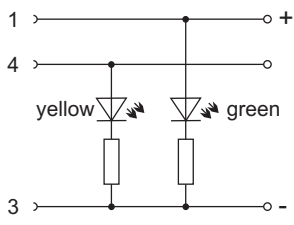
Sensor / Actuator Cable (PUR halogen free)

1/1

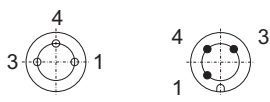
3-conductor connection cable, both end fitted, M8-LED/M12

Data sheet





LED green = Operation indicator
LED yellow = Function indicator



Color	
Pin 1	brown
Pin 2	-
Pin 3	blue
Pin 4	black

Description	Item-No.	Pack.-unit pcs																																
3-conductor (M8-LED-ASK/M12-PLG) right angle socket / plug 1 m	755-561	10																																
3-conductor (M8-LED-ASK/M12-PLG) right angle socket / plug 1.5 m	755-562	10																																
3-conductor (M8-LED-ASK/M12-PLG) right angle socket / plug 2 m	755-563	10																																
<p>Connection cable: M8 right angle socket with built-in LED, operation and function indication and M12 plug with (auto) securing safety nut.</p> <p>Cable characteristics:</p> <ul style="list-style-type: none"> • Good chemical and oil resistance. • Free of polybrominated diphenylether: Halogen, silicon and PVC free, flame retardant. • Microbe and hydrolysis-resistant. • For dynamic application: Drag chain suitability in compliance with drag chain test: <ul style="list-style-type: none"> - Bending radius 10 x d - Acceleration 5 m/s² - Path feed rate 200 m/min at 5 m horizontal path - Guaranteed bending cycles ≥2 millions • Recommended for applications in machine tools for metal cutting. • The application of these products in aggressive environments should always be checked before. 	<p>Technical Data</p> <p>Structure:</p> <table style="width: 100%; border-collapse: collapse;"> <tr> <td style="width: 30%;">Conductor</td> <td>3 x 0.34 mm² (43 x Ø 0.10 mm)</td> </tr> <tr> <td>Colors of the leads</td> <td>brown; blue; black</td> </tr> <tr> <td>Outer jacket</td> <td>PUR halogen free, Ø 4.3 mm</td> </tr> </table> <p>Materials:</p> <table style="width: 100%; border-collapse: collapse;"> <tr> <td style="width: 30%;">Moulded body plug</td> <td>TPU, self-extinguishing</td> </tr> <tr> <td>Moulded body right angle socket</td> <td>TPU, GF, self-extinguishing</td> </tr> <tr> <td>Contact</td> <td>CuZn, pre-nickeled and 0.8 µm gold-plated</td> </tr> <tr> <td>Body</td> <td>TPU, self-extinguishing, transparent</td> </tr> <tr> <td>Knurled nut / screw</td> <td>CuZn, brass, nickeled</td> </tr> <tr> <td>O-Ring</td> <td>FKM</td> </tr> </table> <p>Electrical data:</p> <table style="width: 100%; border-collapse: collapse;"> <tr> <td style="width: 30%;">Nominal voltage</td> <td>DC 10 - 30 V</td> </tr> <tr> <td>Current carrying capacity</td> <td>4 A</td> </tr> <tr> <td>Contact resistance</td> <td>≤ 5 mΩ</td> </tr> <tr> <td>Insulation resistance</td> <td>> 10⁹ Ω</td> </tr> <tr> <td>Insulation group</td> <td>C acc. to VDE 0110</td> </tr> </table> <p>Mechanical data:</p> <table style="width: 100%; border-collapse: collapse;"> <tr> <td style="width: 30%;">Protection</td> <td>IP67*</td> </tr> <tr> <td>Temperature range</td> <td>-25 °C...+80 °C</td> </tr> </table> <p style="font-size: small; margin-top: 10px;">* Protection IP67 only in fully locked position with it's plugs</p>		Conductor	3 x 0.34 mm ² (43 x Ø 0.10 mm)	Colors of the leads	brown; blue; black	Outer jacket	PUR halogen free, Ø 4.3 mm	Moulded body plug	TPU, self-extinguishing	Moulded body right angle socket	TPU, GF, self-extinguishing	Contact	CuZn, pre-nickeled and 0.8 µm gold-plated	Body	TPU, self-extinguishing, transparent	Knurled nut / screw	CuZn, brass, nickeled	O-Ring	FKM	Nominal voltage	DC 10 - 30 V	Current carrying capacity	4 A	Contact resistance	≤ 5 mΩ	Insulation resistance	> 10 ⁹ Ω	Insulation group	C acc. to VDE 0110	Protection	IP67*	Temperature range	-25 °C...+80 °C
Conductor	3 x 0.34 mm ² (43 x Ø 0.10 mm)																																	
Colors of the leads	brown; blue; black																																	
Outer jacket	PUR halogen free, Ø 4.3 mm																																	
Moulded body plug	TPU, self-extinguishing																																	
Moulded body right angle socket	TPU, GF, self-extinguishing																																	
Contact	CuZn, pre-nickeled and 0.8 µm gold-plated																																	
Body	TPU, self-extinguishing, transparent																																	
Knurled nut / screw	CuZn, brass, nickeled																																	
O-Ring	FKM																																	
Nominal voltage	DC 10 - 30 V																																	
Current carrying capacity	4 A																																	
Contact resistance	≤ 5 mΩ																																	
Insulation resistance	> 10 ⁹ Ω																																	
Insulation group	C acc. to VDE 0110																																	
Protection	IP67*																																	
Temperature range	-25 °C...+80 °C																																	