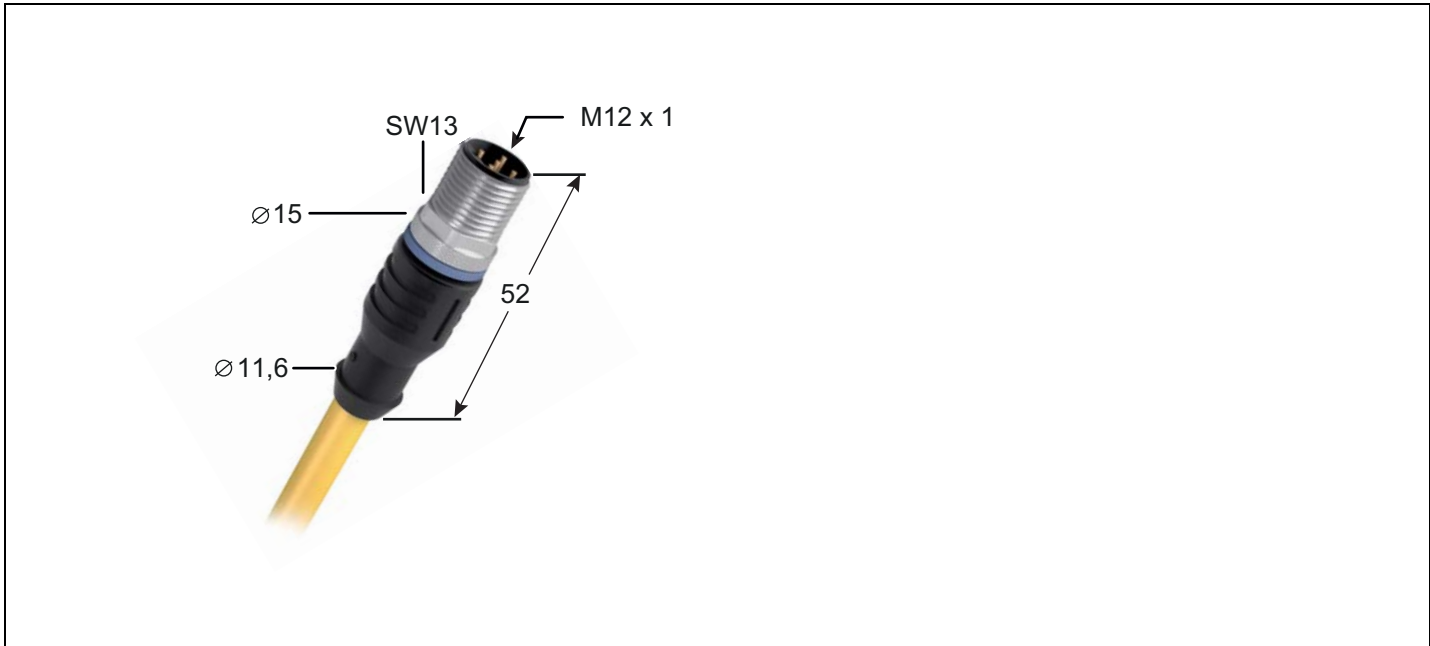


System Bus Cable

for **WAGO** *SPEEDWAY 767*



Technical data (continued)

Connectors

Plug	M12x1, B-coded
Molded body/	
Housing material	TPU/TPU, black (~ RAL 9005)
Contact material	CuZn
Contact plating	CuNi/Au
Knurled nut with hexagonal	CuZn
Knurled nut surface	Nickel-plated
Sealing ring	FPM (Viton)
Mechanical life	Max. 100 mating cycles
Torque	0.6 Nm

Accessories

Torque assembly kit incl.	
M8- und M12- Allen key	206-701