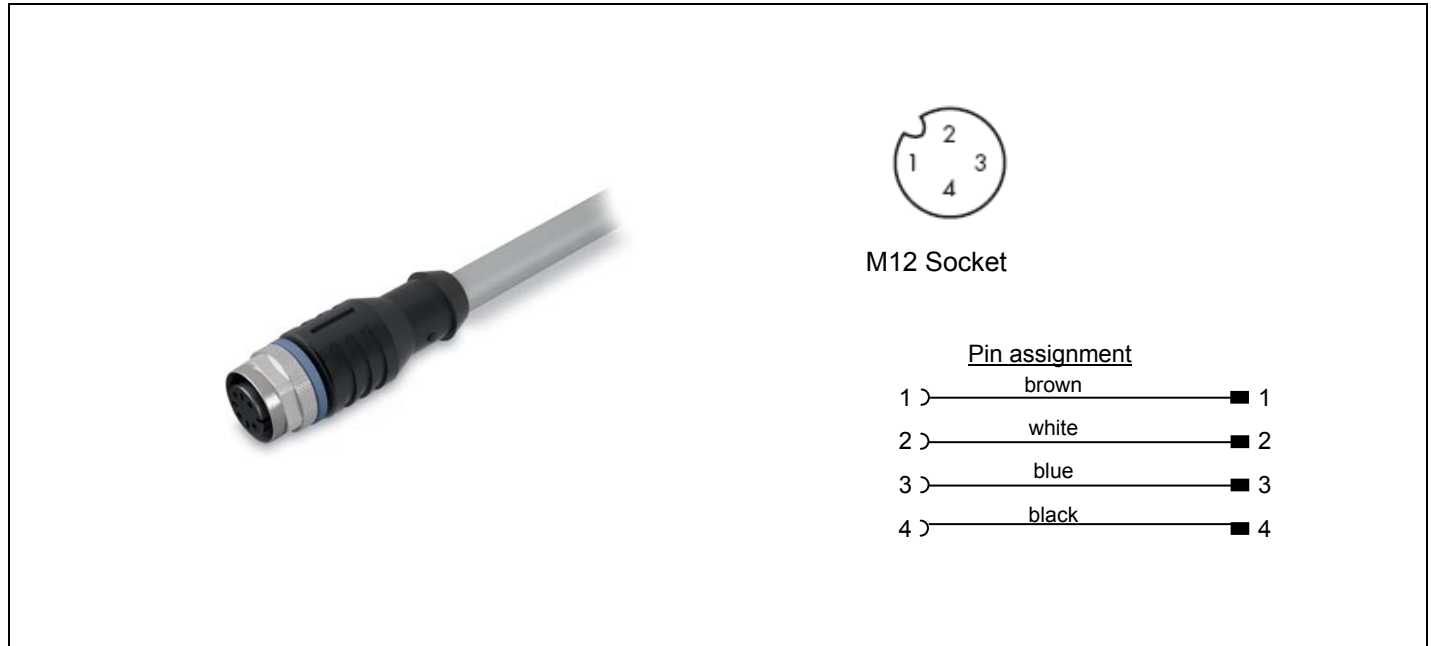


# Power supply Cable

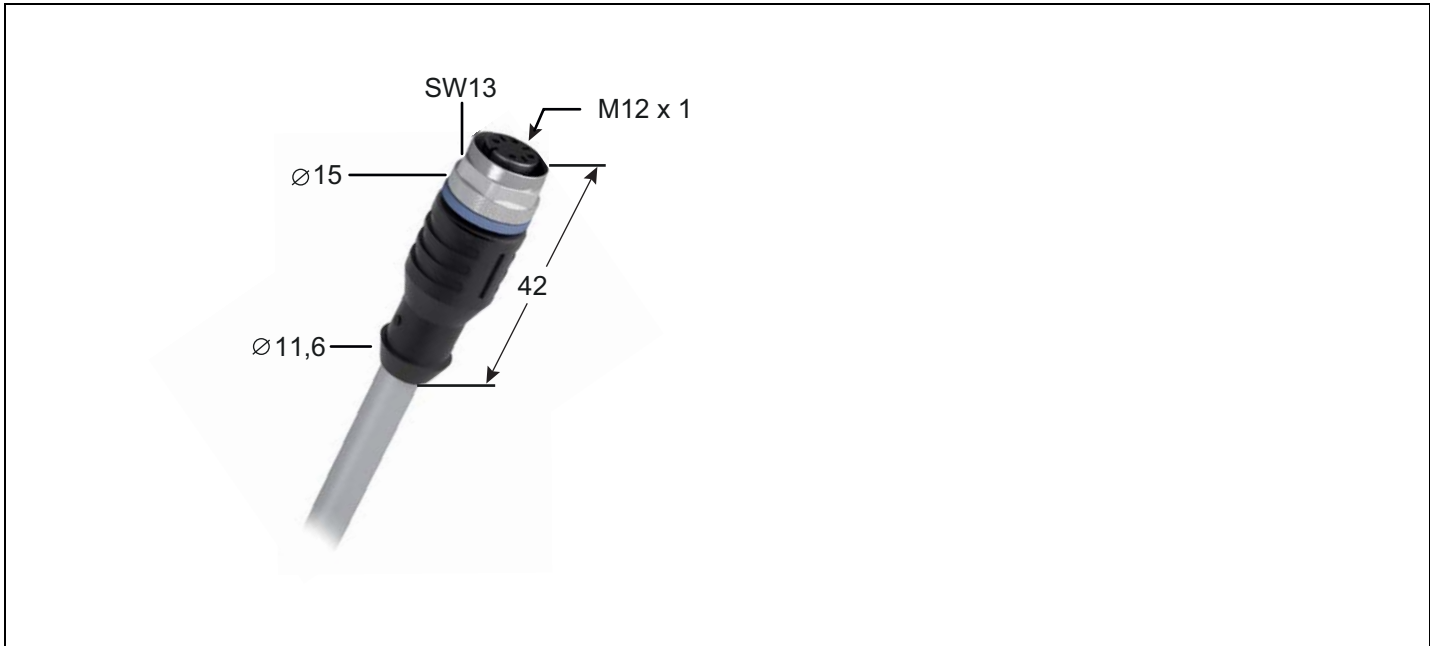
for WAGO **SPEEDWAY 767**



Description	Item no.	Pack. unit pcs																																													
Power supply cable, with one end of cable fitted, A coded																																															
M12 socket, straight, one free cable.end, 2.0 m	756-3101/0040-0020	1																																													
M12 socket, straight, one free cable.end, 5.0 m	756-3101/0040-0050	1																																													
M12 socket, straight, one free cable.end, 10.0 m	756-3101/0040-0100	1																																													
M12 socket, straight, one free cable.end, 20.0 m	756-3101/0040-0200	1																																													
Special lengths on request																																															
<b>Short description:</b> <ul style="list-style-type: none"> <li>PUR, halogen-free</li> <li>UL / CSA</li> <li>Drag chain suitability</li> <li>Free of silicon and CFC</li> <li>Good resistance to microbes, hydrolysis, oil, ozone and UV radiation. Good chemical resistance.</li> <li>UL approved</li> </ul>	<b>Technical Data</b>																																														
	<table border="1"> <thead> <tr> <th colspan="2">General</th> </tr> </thead> <tbody> <tr> <td>Operating voltage</td> <td>AC/DC 250 V acc. to IEC 60664-1</td> </tr> <tr> <td>Operating current</td> <td>4 A acc. to IEC 60512-3</td> </tr> <tr> <td>Rated surge voltage</td> <td>2.5 kV acc. to IEC 61076-2-101</td> </tr> <tr> <td>Insulation resistance</td> <td>&gt;10<sup>9</sup> Ω acc. to IEC 60512-2</td> </tr> <tr> <td>Contact resistance</td> <td>≤ 10 mΩ acc. to IEC 61076-2-101</td> </tr> <tr> <td>Resistance of conductor</td> <td>≤ 26 Ω/km</td> </tr> <tr> <td>Pollution degree</td> <td>3/2 acc. to IEC 60664-1</td> </tr> <tr> <td>Degree of protection</td> <td>IP67 acc. to IEC 60529</td> </tr> <tr> <td>Operating temperature</td> <td>-30 °C ... +80 °C (static and moving)</td> </tr> <tr> <td colspan="2">Drag chain suitability</td> </tr> <tr> <td>Min. bending radius</td> <td>10 x cable Ø</td> </tr> <tr> <td>Bending cycles</td> <td>≥ 4 million</td> </tr> <tr> <td>Max. acceleration</td> <td>10 m/s<sup>2</sup></td> </tr> <tr> <td>Max. traversing rate</td> <td>4 m/s</td> </tr> <tr> <td>Max. traverse path</td> <td>15 m horizontal</td> </tr> <tr> <td>Torsion</td> <td>max. 360°/m</td> </tr> <tr> <td>Other characteristics</td> <td>UV resistant acc. to DIN EN ISO 4892-2B (2006) (1000 h UV continuous light)</td> </tr> <tr> <td colspan="2">Cable</td> </tr> <tr> <td>Type code</td> <td>Lif9YH-11YH 4x0.75 mm<sup>2</sup></td> </tr> <tr> <td>Note</td> <td>Construction acc. to UL + CSA Style 20233</td> </tr> <tr> <td>Conductor</td> <td>Bare copper wire (40 x 0.15 mm)</td> </tr> <tr> <td>Insulation</td> <td>Halogen-free PP9Y Halogen-free polyurethane (PUR) acc. to VDE 0250 part 818, flame resistant acc. To VDE 0472 part 804/B</td> </tr> </tbody> </table>		General		Operating voltage	AC/DC 250 V acc. to IEC 60664-1	Operating current	4 A acc. to IEC 60512-3	Rated surge voltage	2.5 kV acc. to IEC 61076-2-101	Insulation resistance	>10 <sup>9</sup> Ω acc. to IEC 60512-2	Contact resistance	≤ 10 mΩ acc. to IEC 61076-2-101	Resistance of conductor	≤ 26 Ω/km	Pollution degree	3/2 acc. to IEC 60664-1	Degree of protection	IP67 acc. to IEC 60529	Operating temperature	-30 °C ... +80 °C (static and moving)	Drag chain suitability		Min. bending radius	10 x cable Ø	Bending cycles	≥ 4 million	Max. acceleration	10 m/s <sup>2</sup>	Max. traversing rate	4 m/s	Max. traverse path	15 m horizontal	Torsion	max. 360°/m	Other characteristics	UV resistant acc. to DIN EN ISO 4892-2B (2006) (1000 h UV continuous light)	Cable		Type code	Lif9YH-11YH 4x0.75 mm <sup>2</sup>	Note	Construction acc. to UL + CSA Style 20233	Conductor	Bare copper wire (40 x 0.15 mm)	Insulation
General																																															
Operating voltage	AC/DC 250 V acc. to IEC 60664-1																																														
Operating current	4 A acc. to IEC 60512-3																																														
Rated surge voltage	2.5 kV acc. to IEC 61076-2-101																																														
Insulation resistance	>10 <sup>9</sup> Ω acc. to IEC 60512-2																																														
Contact resistance	≤ 10 mΩ acc. to IEC 61076-2-101																																														
Resistance of conductor	≤ 26 Ω/km																																														
Pollution degree	3/2 acc. to IEC 60664-1																																														
Degree of protection	IP67 acc. to IEC 60529																																														
Operating temperature	-30 °C ... +80 °C (static and moving)																																														
Drag chain suitability																																															
Min. bending radius	10 x cable Ø																																														
Bending cycles	≥ 4 million																																														
Max. acceleration	10 m/s <sup>2</sup>																																														
Max. traversing rate	4 m/s																																														
Max. traverse path	15 m horizontal																																														
Torsion	max. 360°/m																																														
Other characteristics	UV resistant acc. to DIN EN ISO 4892-2B (2006) (1000 h UV continuous light)																																														
Cable																																															
Type code	Lif9YH-11YH 4x0.75 mm <sup>2</sup>																																														
Note	Construction acc. to UL + CSA Style 20233																																														
Conductor	Bare copper wire (40 x 0.15 mm)																																														
Insulation	Halogen-free PP9Y Halogen-free polyurethane (PUR) acc. to VDE 0250 part 818, flame resistant acc. To VDE 0472 part 804/B																																														

**Power supply Cable**

for **WAGO SPEEDWAY 767**



**Technical data (continued)**

Color	Gray (~ RAL 7040)
Cable diameter	Ø 6.2 mm ± 0.2
<b>Connectors</b>	
Socket	M12x1, A-coded
Molded body/	
Housing material	TPU/TPU, black (~ RAL 9005)
Contact material	CuZn
Contact plating	CuNi/Au
Knurled nut with hexagonal	CuZn
Knurled nut surface	Nickel-plated
Sealing ring	FPM (Viton)
Mechanical life	Max. 100 mating cycles
Torque	0.6 Nm

**Accessories**

Torque assembly kit incl.	
M8- und M12- Allen key	206-701