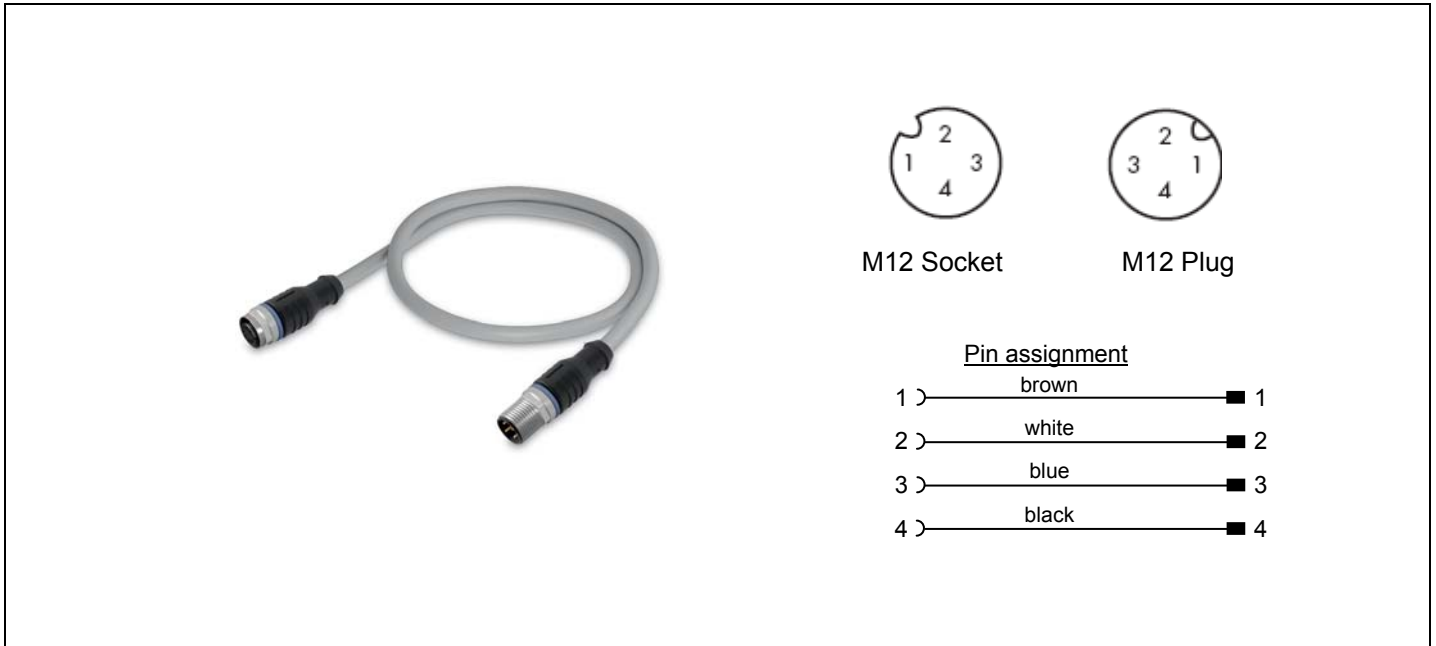


Power supply Cable

1/2

for WAGO **SPEEDWAY 767**

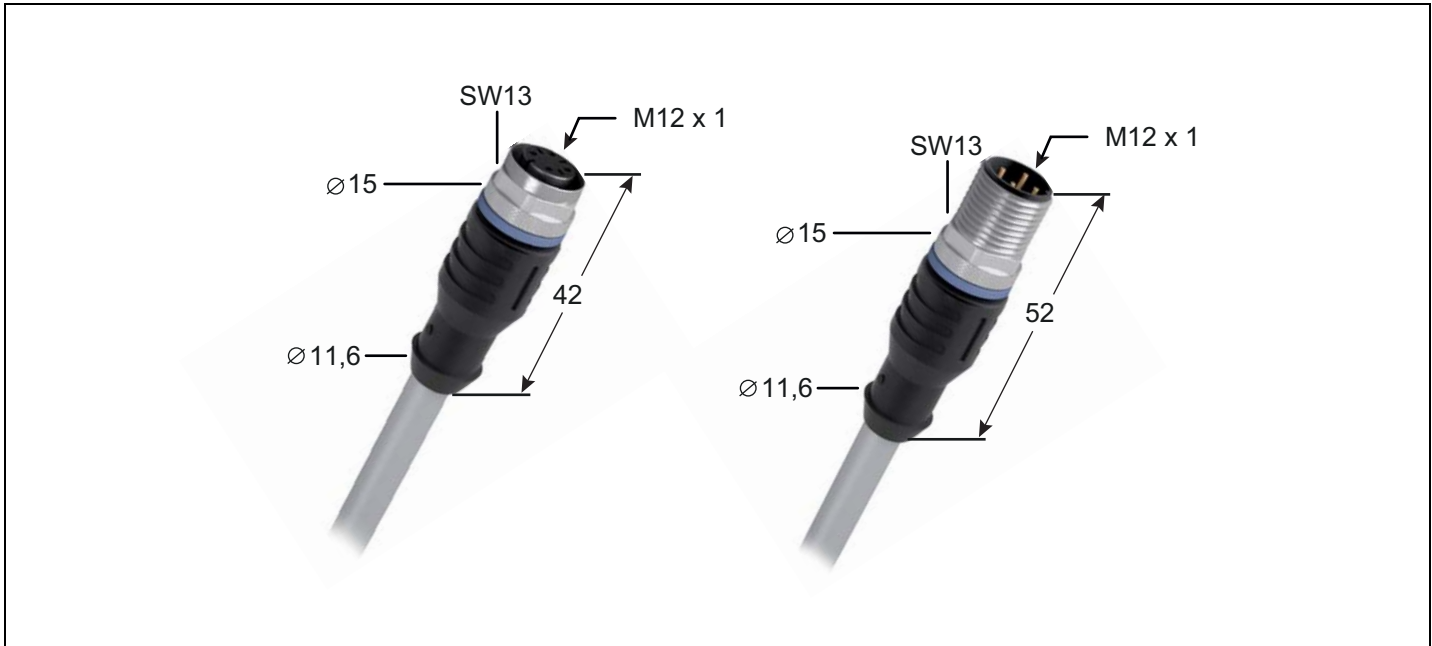
Data Sheet



Description	Item no.	Pack. unit pcs
Power supply cable, with both ends of cable fitted, A coded		
M12 socket, straight, M12 plug, straight, 0.2 m	756-3105/0040-0002	1
M12 socket, straight, M12 plug, straight, 0.3 m	756-3105/0040-0003	1
M12 socket, straight, M12 plug, straight, 0.5 m	756-3105/0040-0005	1
M12 socket, straight, M12 plug, straight, 1.0 m	756-3105/0040-0010	1
M12 socket, straight, M12 plug, straight, 2.0 m	756-3105/0040-0020	1
M12 socket, straight, M12 plug, straight, 5.0 m	756-3105/0040-0050	1
M12 socket, straight, M12 plug, straight, 10.0 m	756-3105/0040-0100	1
M12 socket, straight, M12 plug, straight, 20.0 m	756-3105/0040-0200	1
Special lengths on request		
Short description:	Technical Data	
<ul style="list-style-type: none"> PUR, halogen-free UL / CSA Drag chain suitability Free of silicon and CFC Good resistance to microbes, hydrolysis, oil, ozone and UV radiation. Good chemical resistance. UL approved 	General Operating voltage AC/DC 250 V acc. to IEC 60664-1 Operating current 4 A acc. to IEC 60512-3 Rated surge voltage 2.5 kV acc. to IEC 61076-2-101 Insulation resistance >10 ⁹ Ω acc. to IEC 60512-2 Contact resistance ≤ 10 mΩ acc. to IEC 61076-2-101 Resistance of conductor ≤ 26 Ω/km Pollution degree 3/2 acc. to IEC 60664-1 Degree of protection IP67 acc. to IEC 60529 Operating temperature -30 °C ... +80 °C (static and moving) Drag chain suitability Min. bending radius 10 x cable Ø Bending cycles ≥ 4 million Max. acceleration 10 m/s ² Max. traversing rate 4 m/s Max. traverse path 15 m horizontal Torsion max. 360°/m Other characteristics UV resistant acc. to DIN EN ISO 4892-2B (2006) (1000 h UV continuous light)	
	Cable Type code Lif9YH-11YH 4x0.75 mm ² Note Construction acc. to UL + CSA Style 20233 Conductor Bare copper wire (40 x 0.15 mm)	

Power supply Cable

for **WAGO** *SPEEDWAY 767*



Technical data (continued)

Insulation	Halogen-free PP9Y Halogen-free polyurethane (PUR) acc. to VDE 0250 part 818, flame resistant acc. To VDE 0472 part 804/B
Color	Gray (~ RAL 7040)
Cable diameter	Ø 6.2 mm ± 0.2

Connectors

Socket/Plug	M12x1, A-coded
Molded body/	
Housing material	TPU/TPU, black (~ RAL 9005)
Contact material	CuZn
Contact plating	CuNi/Au
Knurled nut with hexagonal	CuZn
Knurled nut surface	Nickel-plated
Sealing ring	FPM (Viton)
Mechanical life	Max. 100 mating cycles
Torque	0.6 Nm

Accessories

Torque assembly kit incl.	
M8- und M12- Allen key	206-701