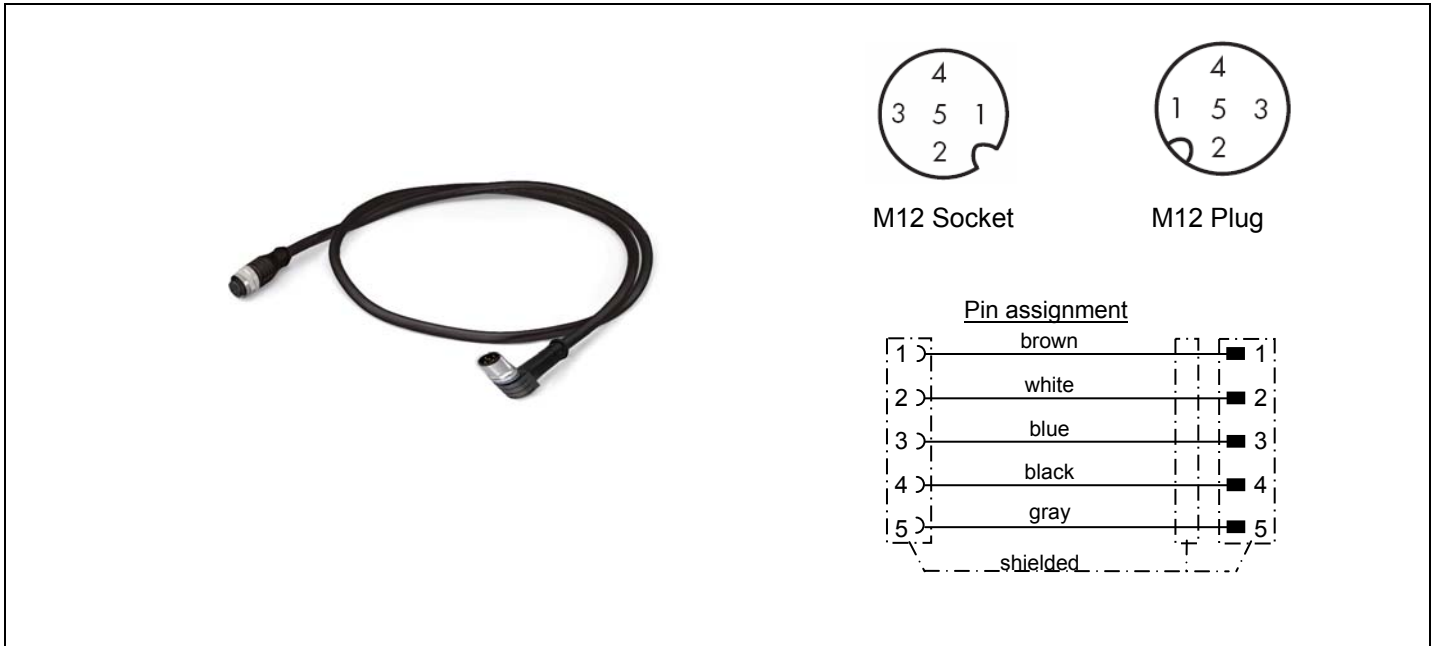


Sensor/ Actuator Cable, shielded

for **WAGO** \equiv **SPEEDWAY 767**

Data Sheet



Description	Item no.	Pack. unit pcs
Sensor/ Actuator cable, with both ends of cable fitted, A-coded		
M12 socket, straight, M12 plug, right angle, 1.0 m	756-5402/0060-0010	1
M12 socket, straight, M12 plug, right angle, 2.0 m	756-5402/0060-0020	1
Special lengths on request		

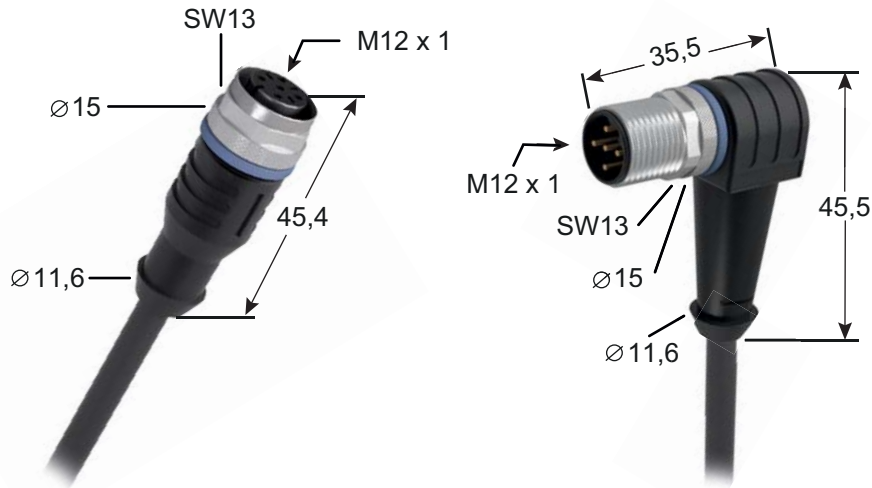
Short description:	Technical data
<ul style="list-style-type: none"> PUR, halogen-free Suitable for drag chains Good resistance to microbes, hydrolysis, oil, ozone and UV radiation. Good chemical resistance. UL approved 	<p>General</p> <p>Operating voltage ≤ 60 V</p> <p>Operating voltage 4 A acc. to IEC 60512-3</p> <p>Rated surge voltage 1.5 kV acc. to IEC 61076-2-101</p> <p>Insulation resistance ≥ 1.6x10¹⁰ Ωxkm acc. to IEC 60512-2</p> <p>Contact resistance ≤ 10 mΩ acc. to IEC 61076-2-101</p> <p>Resistance of conductor < 57 Ω/km</p> <p>Pollution degree 3/2 acc. to IEC 60664-1</p> <p>Degree of protection IP67 acc. to IEC 60529</p> <p>Operating temperature -50 °C ... +80 °C (static)</p> <p>-40 °C ... +80 °C (moving)</p> <p>Drag chain suitability</p> <p>Min. bending radius 7.5 x cable Ø (moving)</p> <p>4 x cable Ø (static)</p> <p>Bending cycles ≥ 2 Mio.</p> <p>Max. acceleration max. 10 m/s²</p> <p>Max. traversing rate max. 4 m/s</p> <p>Max. traverse path max. 15 m horizontal</p> <p>Torsion 180 °/m</p> <p>Other characteristics Silicone-free, FCKW-free, resistant to microbes, hydrolysis, oil and UV resistant acc. to DIN EN ISO 4892-2B (2006) (1000 h UV continuous light)</p>

Sensor/ Actuator Cable, shielded

2/2

for **WAGO SPEEDWAY 767**

Data Sheet



Technical data (continued)

Cable

Type code	Li9YC11Y-HF 5x0.34 mm ² shielded
Overall shield	Overlapped aluminum-laminated foil and tinned copper braid, 80 % optical coverage
Conductor	Bare copper wire (7x0.25 mm)
Insulation	Halogen-free PE
Outer jacket	Halogen-free polyurethane (PUR) acc to VDE 0250 part 818, flame resistant acc. to IEC 60332-1-2 Color: black (~ RAL 9005)
Cable diameter	Ø 6.5 mm ± 0.2

Connector

Socked/plug	M12x1, A-coded
Molded body//	
Housing material	TPU/TPU, black (~ RAL 9005)
Contact material	CuZn
Contact plating	CuNi/Au
Knurled nut with hexagonal	CuZn
Knurled nut surface	Nickel-plated
Sealing ring	FPM (Viton)
Mechanical life	Max. 100 mating cycles
Torque	0.6 Nm

Accessories

Torque assembly kit incl.	
M8- und M12- Allen key	206-701