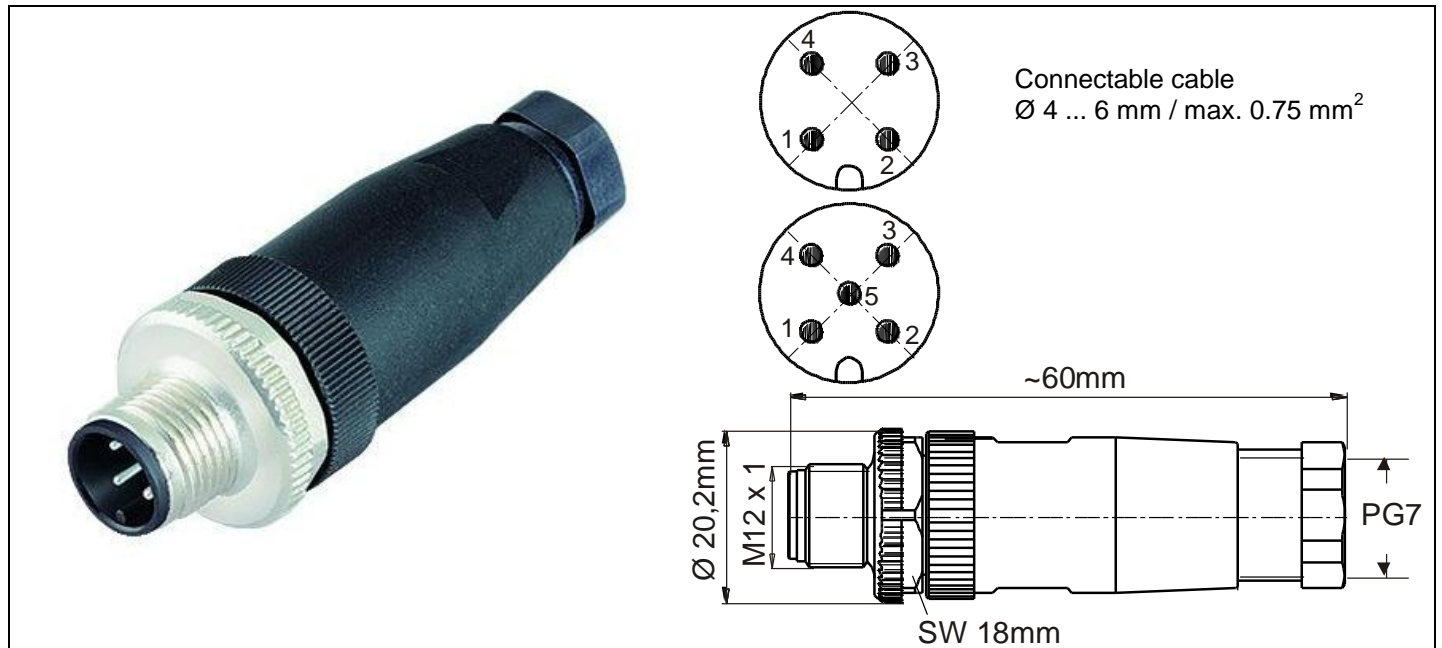


# Configurable M12 plug, unshielded

1/1

Screw connection technology

Data Sheet



Description	Item no.	Pack. unit pcs
M12 plug, A-coded, straight, 4-poles, screw technology	756-9201/0040-0000	1
M12 plug, A-coded, straight, 5-poles, screw technology	756-9201/0050-0000	1

Mounting	Technical data																								
	<p><b>General:</b></p> <table border="0"> <tr><td>Housing material</td><td>Polyamid (PA)</td></tr> <tr><td>Contact material</td><td>brass (CuZn)</td></tr> <tr><td>Insert material</td><td>PA</td></tr> <tr><td>Contact plating</td><td>Gold (Au)</td></tr> <tr><td>Type of connection</td><td>Screw</td></tr> <tr><td>Seal</td><td>Neoprene</td></tr> <tr><td>Temperature range</td><td>-25 °C...+85 °C</td></tr> <tr><td>Cable entry</td><td>Ø 4-6 mm</td></tr> <tr><td>Kind of locking</td><td>Screw locking M12</td></tr> <tr><td>Mating cycles</td><td>&gt;100</td></tr> <tr><td>Class of protection</td><td>IP67 in locked position</td></tr> <tr><td>Approvals</td><td>UL (Underwriters Laboratories Inc.)</td></tr> </table>	Housing material	Polyamid (PA)	Contact material	brass (CuZn)	Insert material	PA	Contact plating	Gold (Au)	Type of connection	Screw	Seal	Neoprene	Temperature range	-25 °C...+85 °C	Cable entry	Ø 4-6 mm	Kind of locking	Screw locking M12	Mating cycles	>100	Class of protection	IP67 in locked position	Approvals	UL (Underwriters Laboratories Inc.)
	Housing material	Polyamid (PA)																							
Contact material	brass (CuZn)																								
Insert material	PA																								
Contact plating	Gold (Au)																								
Type of connection	Screw																								
Seal	Neoprene																								
Temperature range	-25 °C...+85 °C																								
Cable entry	Ø 4-6 mm																								
Kind of locking	Screw locking M12																								
Mating cycles	>100																								
Class of protection	IP67 in locked position																								
Approvals	UL (Underwriters Laboratories Inc.)																								
	<p><b>Electrical data:</b></p> <table border="0"> <tr><td>Pole number</td><td>4 / 5</td></tr> <tr><td>Contact number</td><td>4 / 5</td></tr> <tr><td>Conductor size</td><td>0.25...0.75 mm<sup>2</sup> (max. AWG 18)</td></tr> <tr><td>Rated current</td><td>4 A (40 °C)</td></tr> <tr><td>Nenn-/Bemessungsspannung</td><td>250 V / 125 V</td></tr> <tr><td>Test voltage</td><td>AC 2.5 kV / AC 1.5 kV</td></tr> <tr><td>Overvoltage category</td><td>II</td></tr> <tr><td>Material group</td><td>III</td></tr> <tr><td>Transition resistance</td><td>≤3 mΩ</td></tr> <tr><td>Pollution degree</td><td>3</td></tr> </table>	Pole number	4 / 5	Contact number	4 / 5	Conductor size	0.25...0.75 mm <sup>2</sup> (max. AWG 18)	Rated current	4 A (40 °C)	Nenn-/Bemessungsspannung	250 V / 125 V	Test voltage	AC 2.5 kV / AC 1.5 kV	Overvoltage category	II	Material group	III	Transition resistance	≤3 mΩ	Pollution degree	3				
Pole number	4 / 5																								
Contact number	4 / 5																								
Conductor size	0.25...0.75 mm <sup>2</sup> (max. AWG 18)																								
Rated current	4 A (40 °C)																								
Nenn-/Bemessungsspannung	250 V / 125 V																								
Test voltage	AC 2.5 kV / AC 1.5 kV																								
Overvoltage category	II																								
Material group	III																								
Transition resistance	≤3 mΩ																								
Pollution degree	3																								