

# Configurable M12 connector, unshielded

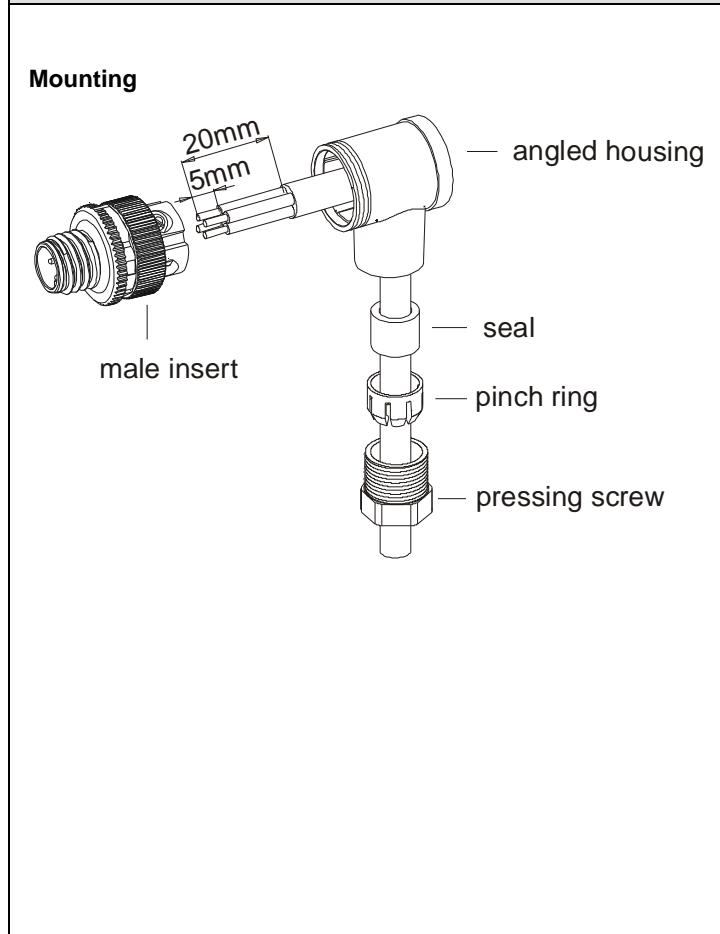
1/1

Screw connection technology

Data Sheet



Description	Item no.	Pack. unit pcs
M12 plug, A-coded, right angle, 4-poles, screw technology	756-9204/0040-0000	1
M12 plug, A-coded, right angle, 5-poles, screw technology	756-9204/0050-0000	1



**Technical data**

<b>General:</b>	
Housing material	Polybutylene terephthalate (PBT)
Housing surface	brass (CuZn)
Insert material	Polyamid (PA)
Contact plating	Gold (Au)
Type of connection	Screw
Seal	Neoprene
Temperature range	-25 °C...+85 °C
Cable entry	Ø 4-6 mm
Kind of locking	Screw locking M12
Mating cycles	>100
Class of protection	IP67 in locked position
Approvals	UL (Underwriters Laboratories Inc.)
<b>Electrical data:</b>	
Pole number	4 / 5
Contact number	4 / 5
Conductor size	0.25... 0.75 mm <sup>2</sup> (max. AWG 18)
Rated current	4 A (40 °C)
Rated voltage	250 V / 125 V
Test voltage	AC 2.5 kV / AC 1.5 kV
Overvoltage category	II
Material group	II
Transition resistance	≤3 mΩ
Pollution degree	3