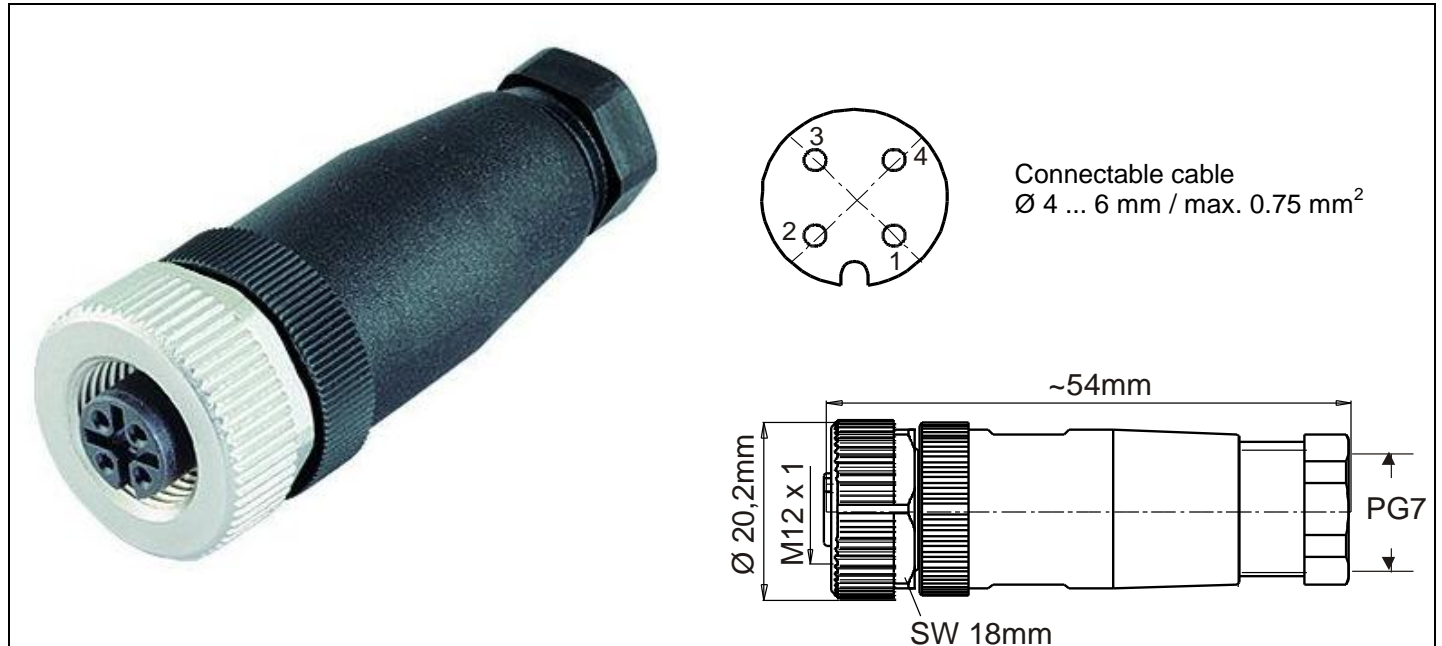


Configurable M12 connector, unshielded

1/1

Screw connection technology

Data Sheet



Connectable cable
Ø 4 ... 6 mm / max. 0.75 mm²

Description	Item no.	Pack. unit pcs
M12 socket, A-coded, straight, 4-poles, screw technology	756-9211/0040-0000	1

Mounting	Technical data																																												
<p>female insert</p>	<p>General:</p> <table border="1"> <tr><td>Housing material</td><td>Polyamid (PA)</td></tr> <tr><td>Housing surface</td><td>Brass (CuZn)</td></tr> <tr><td>Insert material</td><td>PA (UL 94 HB)</td></tr> <tr><td>Contact plating</td><td>Gold (Au)</td></tr> <tr><td>Type of connection</td><td>Screw</td></tr> <tr><td>Seal</td><td>Neoprene</td></tr> <tr><td>Temperature range</td><td>-25 °C...+85 °C</td></tr> <tr><td>Cable entry</td><td>Ø 4-6 mm</td></tr> <tr><td>Kind of locking</td><td>Screw locking M12</td></tr> <tr><td>Mating cycles</td><td>>50</td></tr> <tr><td>Class of protection</td><td>IP67 in locked position</td></tr> <tr><td>Approvals</td><td>UL (Underwriters Laboratories Inc.)</td></tr> </table> <p>Electrical data:</p> <table border="1"> <tr><td>Pole number</td><td>4</td></tr> <tr><td>Contact number</td><td>4</td></tr> <tr><td>Conductor size</td><td>0.25...0.75 mm² (max. AWG 18)</td></tr> <tr><td>Rated current</td><td>4 A (40 °C)</td></tr> <tr><td>Rated voltage</td><td>250 V</td></tr> <tr><td>Test voltage</td><td>AC 2.5 kV</td></tr> <tr><td>Overvoltage category</td><td>II</td></tr> <tr><td>Material group</td><td>II</td></tr> <tr><td>Transition resistance</td><td>≤3 mΩ</td></tr> <tr><td>Pollution degree</td><td>3</td></tr> </table>	Housing material	Polyamid (PA)	Housing surface	Brass (CuZn)	Insert material	PA (UL 94 HB)	Contact plating	Gold (Au)	Type of connection	Screw	Seal	Neoprene	Temperature range	-25 °C...+85 °C	Cable entry	Ø 4-6 mm	Kind of locking	Screw locking M12	Mating cycles	>50	Class of protection	IP67 in locked position	Approvals	UL (Underwriters Laboratories Inc.)	Pole number	4	Contact number	4	Conductor size	0.25...0.75 mm ² (max. AWG 18)	Rated current	4 A (40 °C)	Rated voltage	250 V	Test voltage	AC 2.5 kV	Overvoltage category	II	Material group	II	Transition resistance	≤3 mΩ	Pollution degree	3
	Housing material	Polyamid (PA)																																											
Housing surface	Brass (CuZn)																																												
Insert material	PA (UL 94 HB)																																												
Contact plating	Gold (Au)																																												
Type of connection	Screw																																												
Seal	Neoprene																																												
Temperature range	-25 °C...+85 °C																																												
Cable entry	Ø 4-6 mm																																												
Kind of locking	Screw locking M12																																												
Mating cycles	>50																																												
Class of protection	IP67 in locked position																																												
Approvals	UL (Underwriters Laboratories Inc.)																																												
Pole number	4																																												
Contact number	4																																												
Conductor size	0.25...0.75 mm ² (max. AWG 18)																																												
Rated current	4 A (40 °C)																																												
Rated voltage	250 V																																												
Test voltage	AC 2.5 kV																																												
Overvoltage category	II																																												
Material group	II																																												
Transition resistance	≤3 mΩ																																												
Pollution degree	3																																												