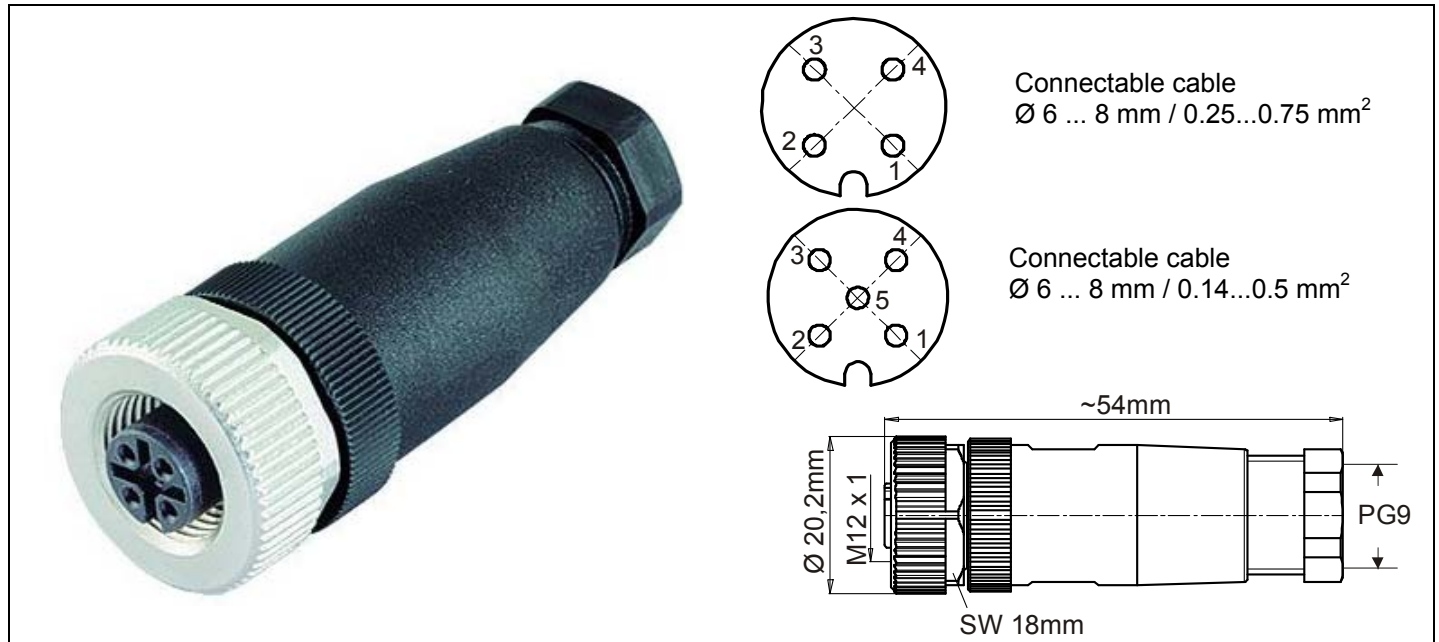


Configurable M12 connector, unshielded

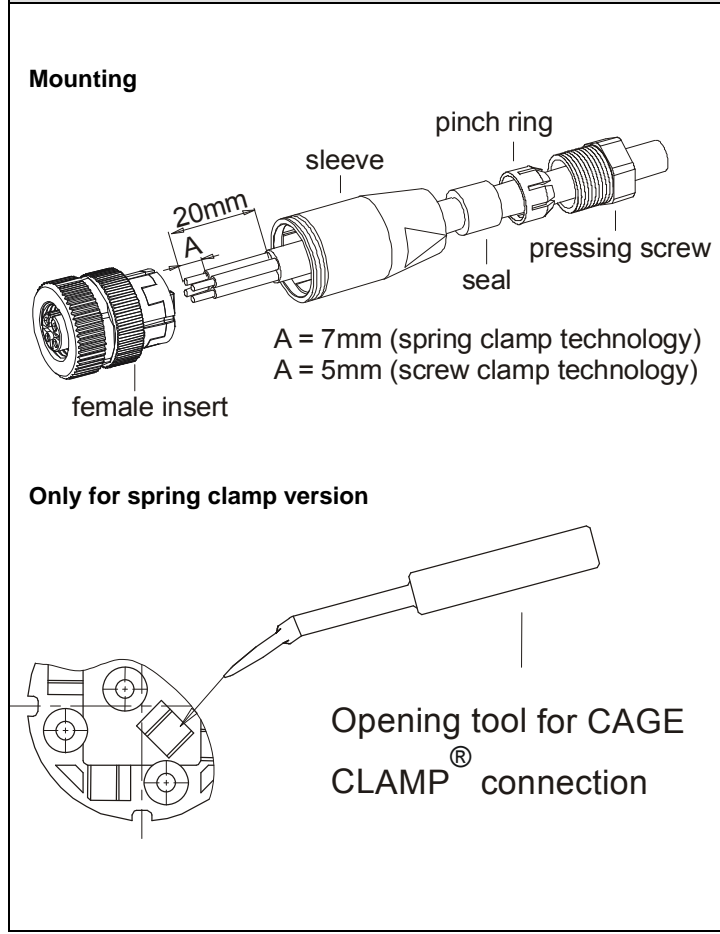
1/1

Screw connection technology (Supply), Spring clamp technology (CANopen / DeviceNet)

Data Sheet



Description	Item no.	Pack. unit pcs
M12 socket, A-coded, straight, 4-poles, screw technology, PG 9	756-9213/0040-0000	1
M12 socket, A-coded, straight, 5-poles, spring clamp technology; PG 9	756-9213/0050-0000	1



Technical data

General:	
Housing material	Polyamid (PA)
Housing surface	Brass (CuZn)
Insert material	PA (UL 94 HB)
Contact plating	Gold (Au)
Type of connection	Screw respectively spring clamp
Seal	Neoprene
Temperature range	-25 °C...+85 °C
Cable entry	Ø 6-8 mm
Kind of locking	Screw locking M12
Mating cycles	>100
Class of protection	IP67 in locked position
Electrical data:	
Pole number	4 / 5
Contact number	4 / 5
Conductor size	
Screw technology	0.25...0.75 mm ²
Spring clamp technology	0.14...0.5 mm ²
Rated current	4 A (40 °C)
Rated current	4 A (40 °C)
Rated voltage	250 V / 60 V
Test voltage	AC 2.5 kV / AC 1.5 kV
Overvoltage category	II
Material group	II
Transition resistance	≤3 mΩ
Pollution degree	3