

Configurable M12 connector, unshielded

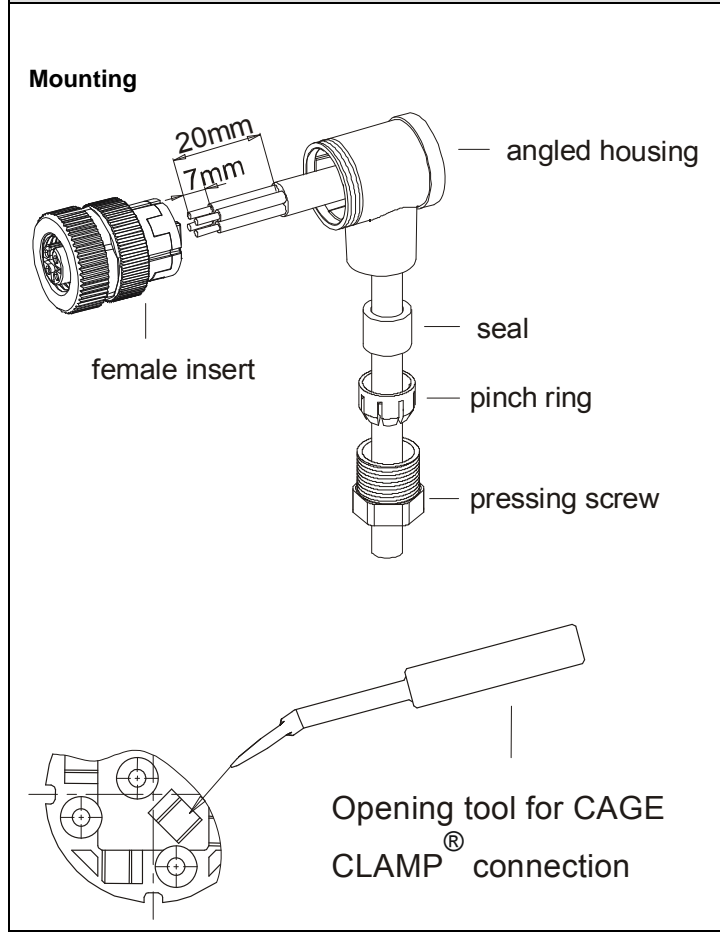
Spring clamp technology

1/1

Data sheet



Description	Item no.	Pack. unit pcs
M12 socket, A-coded, right angle, 4-poles, spring clamp technology	756-9215/0040-0000	1
M12 socket, A-coded, right angle, 5-poles, spring clamp technology	756-9215/0050-0000	1



Technical data	
General:	
Housing material	Polybutylene terephthalate (PBT)
Frame surface	Brass (CuZn)
Insert material	Polyamid (PA)
Contact surface	Gold (Au)
Type of connection	Spring clamp
Seal	Neoprene
Temperature range	-25 °C...+85 °C
Cable entry	Ø 4-6 mm
Kind of locking	Screw locking M12
Mating cycles	>100
Class of protection	IP67 in in locked position
Electrical data:	
Pole number	4 / 5
Contact number	4 / 5
Conductor size	max. 0.5 mm ² (AWG 20)
Rated current	4 A (40 °C)
Rated voltage	250 V / 60 V
Test voltage	AC 2.5 kV / AC 1.5 kV
Overvoltage category	II
Material group	III/II
Transition resistance	≤3 mΩ
Pollution degree	3