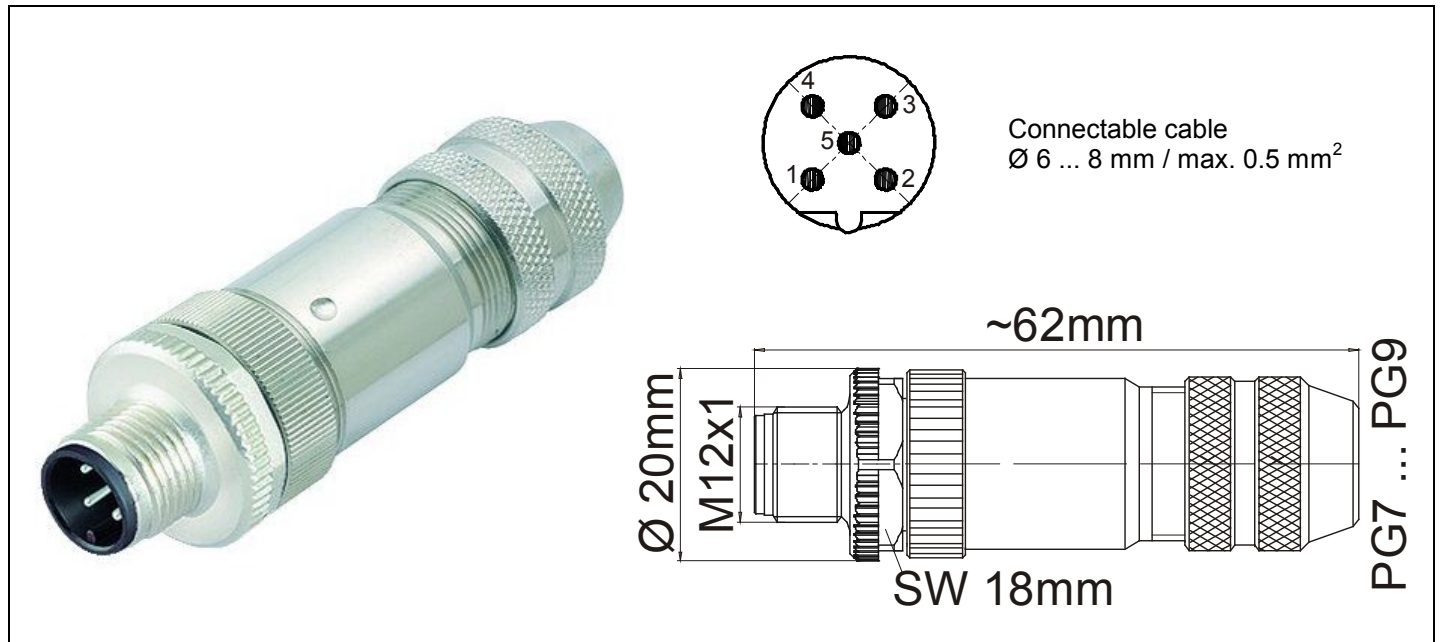


M12 PROFIBUS plug, straight

1/1

Data Sheet



Description	Item no.	Pack. unit pcs
M12 plug, B-coded, straight, 5-poles, shielded, spring clamp technology	756-9401/060-000	1

Mounting

Opening tool for CAGE CLAMP® connection

Technical data

General	
Housing material	Zinc die casting
Housing surface	Nickel plated
Contact material	brass (CuZn)
Insert material	PA
Contact plating	Gold (Au)
Type of connection	Spring clamp
Seal	Neoprene
O-Ring	Viton
Temperature range	-40 °C ... +85 °C
Cable entry	Ø 6-8 mm
Kind of locking	Screw locking M12
Mating cycles	100
Class of protection	IP67 in locked position

Electrical data:	
Pole number	5
Conductor size	max. 0.5 mm ² (AWG 20)
Rated current	4 A (40 °C)
Rated voltage	125 V
Test voltage	1.5 kV AC
Overvoltage category	II
Material group	III
Transition resistance	≤3 mΩ
Pollution degree	3