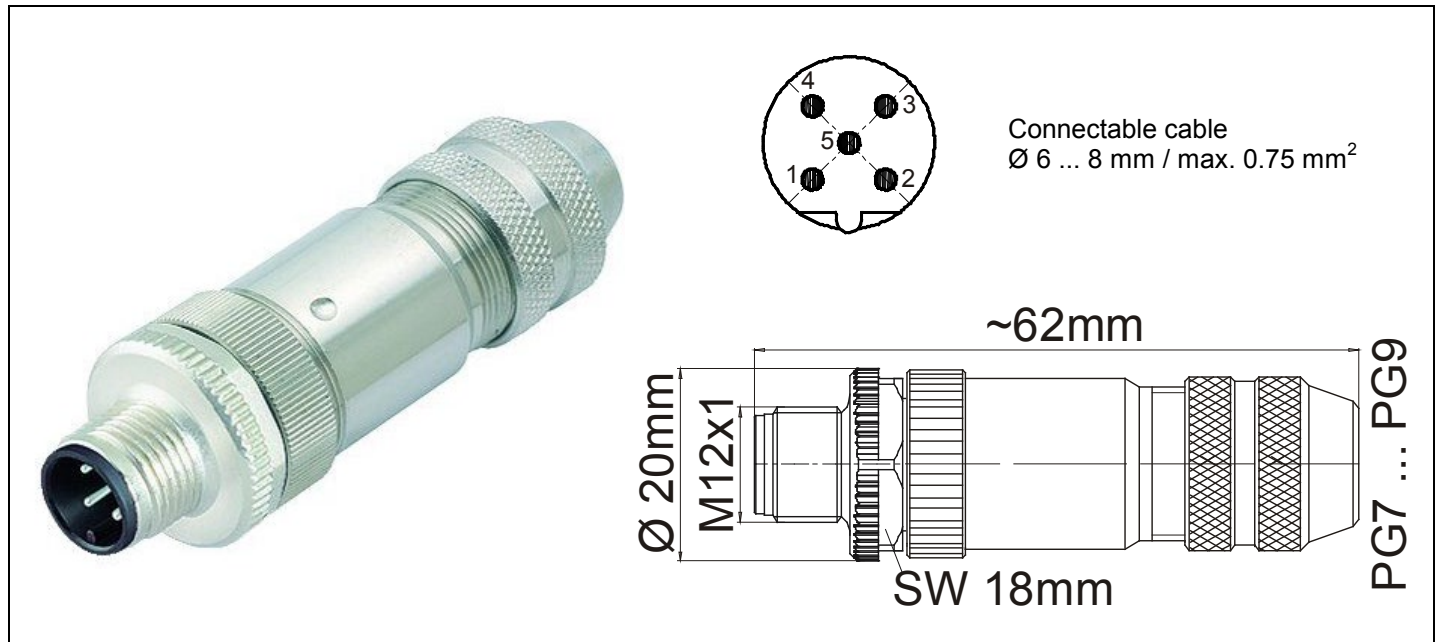


M12 PROFIBUS / S-BUS plug, straight

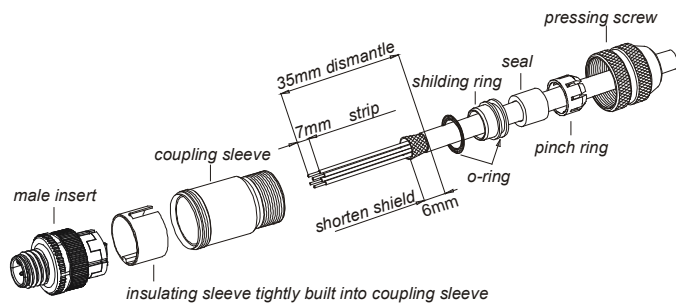
1/1

Data Sheet



Description	Item no.	Pack. unit pcs
M12 plug, B-coded, straight, 5-poles, shielded, screw technology	756-9411/060-000	1

Mounting



Technical data

General

Housing material	Zinc die casting
Housing surface	Nickel plated
Contact material	brass (CuZn)
Insert material	PA
Contact plating	Gold (Au)
Type of connection	Screw
Seal	Neoprene
O-Ring	Viton
Temperature range	-40 °C ... +85 °C
Cable entry	Ø 6-8 mm
Kind of locking	Screw locking M12
Mating cycles	100
Class of protection	IP67 in locked position

Electrical data:

Pole number	5
Conductor size	max. 0.75 mm ² (AWG 20)
Rated current	4 A (40 °C)
Rated voltage	125 V
Test voltage	1.5 kV AC
Overvoltage category	II
Material group	III
Transition resistance	≤3 mΩ
Pollution degree	3

Note:

Assembling S-bus¹ lines requires the four ground conductors to be crimped together in a 0.75mm² ferrule and connected to pin 5.

1) S-bus = Systembus