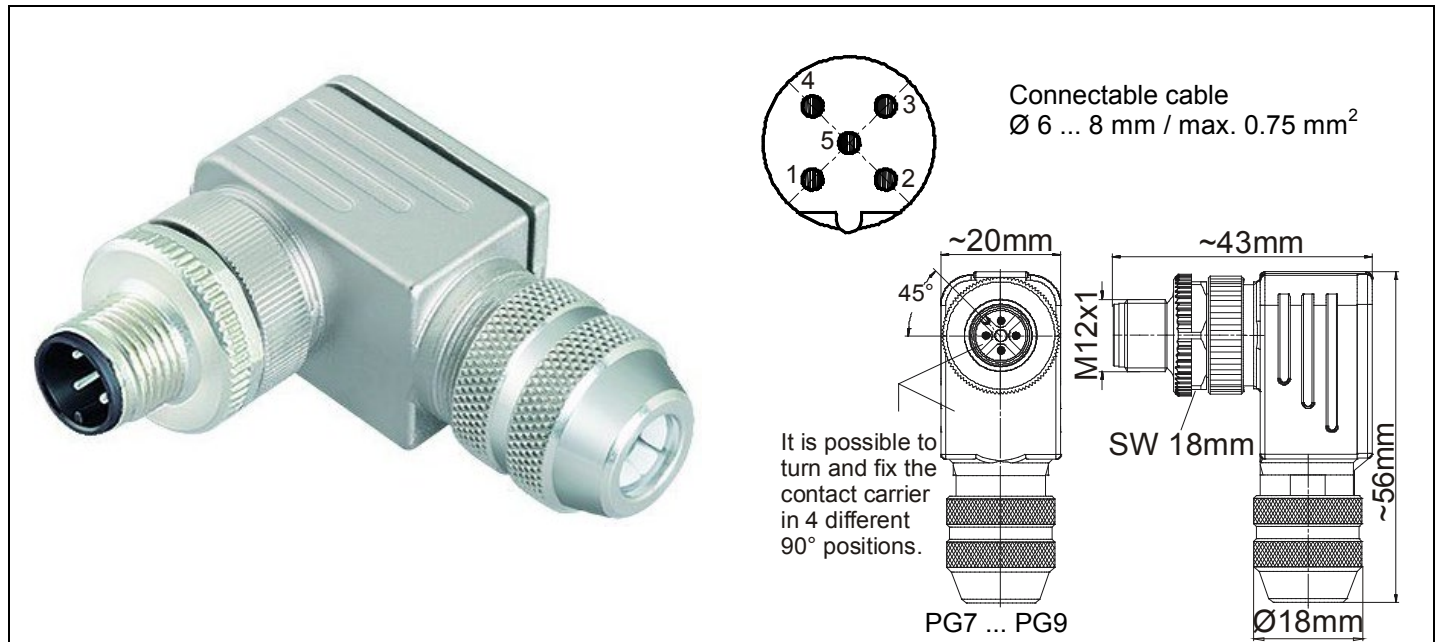
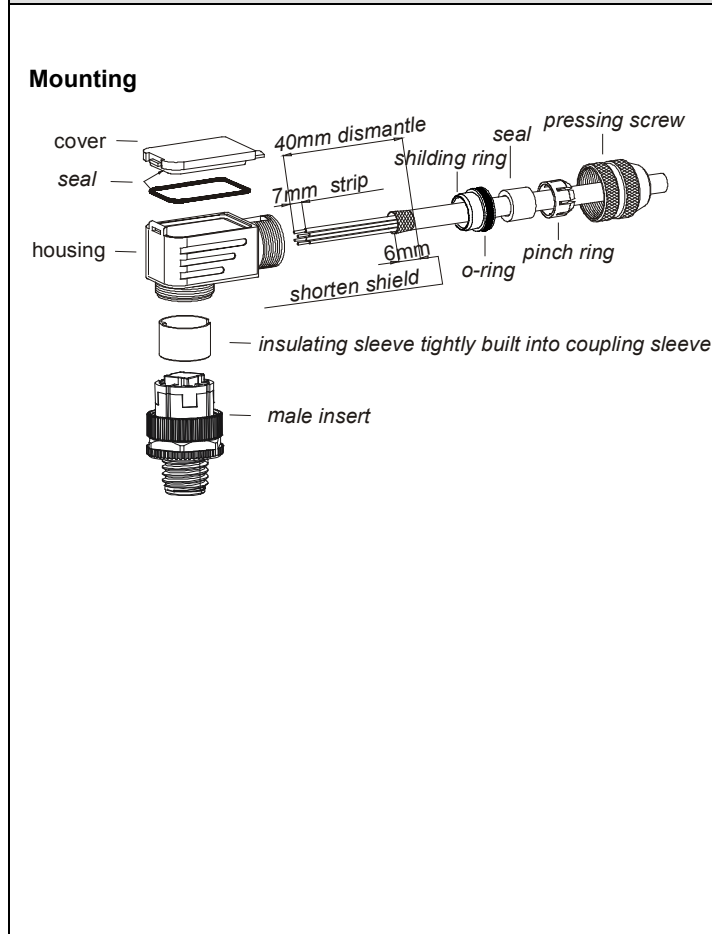


# M12 PROFIBUS / S-BUS plug, right angle



Description	Item no.	Pack. unit pcs
M12 plug, B-coded, right angle, 5-poles, shielded, screw technology	756-9413/060-000	1



### Technical data

General	
Housing material	Zinc die casting
Housing surface	Nickel-plated
Contact material	brass (CuZn)
Insert material	PA
Contact plating	Gold (Au)
Type of connection	Screw
Seal	Neoprene
O-Ring	Viton
Temperature range	-40 °C ... +85 °C
Cable entry	$\varnothing$ 6-8 mm
Kind of locking	Screw locking M12
Mating cycles	100
Class of protection	IP67 in locked position
Electrical data:	
Pole number	5
Conductor size	max. 0.75 mm <sup>2</sup> (AWG 20)
Rated current	4 A (40 °C)
Rated voltage	125 V
Test voltage	1.5 kV AC
Overvoltage category	II
Material group	III
Transition resistance	$\leq$ 3 m $\Omega$
Pollution degree	3
Note:	
Assembling S-bus <sup>1</sup> lines requires the four ground conductors to be crimped together in a 0.75 mm <sup>2</sup> ferrule and connected to pin 5.	
1) S-bus = Systembus	