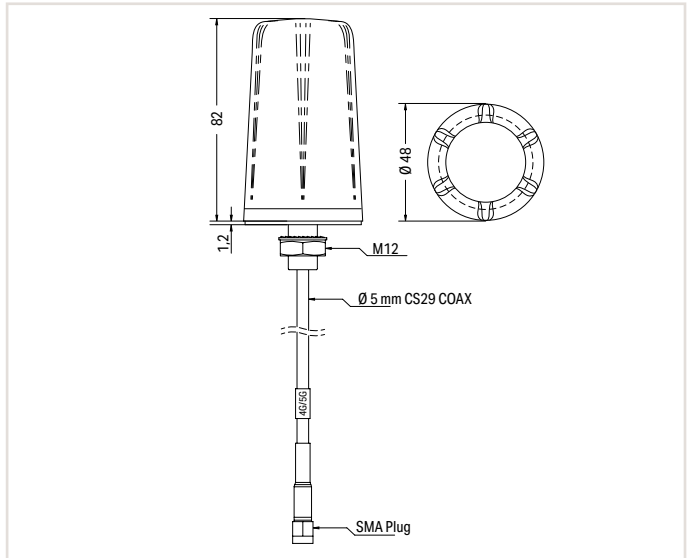


**RF Antenna; with 2.5 m cable and SMA plug;
GSM/UMTS/LTE/Bluetooth®/WLAN;
698-960, 1710-6000 MHz; 2G/ 3G/ 4G/ 5G**



Item Description	
Item No.	
Technical Data	
Radio technology	GSM; UMTS; LTE; Bluetooth®; WLAN; 5G
Frequency band	617 ... 960 MHz; 1710 ... 6000 MHz
Gain	617 ... 960 MHz: 1dBi; 1710 ... 2700 MHz: 4dBi; 3400 ... 3800 MHz: 8dBi; 4900 ... 6000 MHz: 9dBi
Mechanical Data	
Connector	SMA plug
Connection cable length	2 m
Mounting type	Enclosure installation; Adhesive strips
Cable type	CS29
Surrounding air temperature (operation)	-40 ... 85 °C
Weight	185 g
Protection type	IP66

- The antenna must be mounted on a conductive base plate measuring at least 40 x 40 cm.
- The distance of interfering sources to the antenna and antenna line must be at least 30 cm. The free space between the antenna and the next wall must be at least 35 cm.
- The antenna cable must not, under any circumstances, be bent sharply, since irreversible damage may result to the antenna line.