

Relay Socket with Small Switching Relay

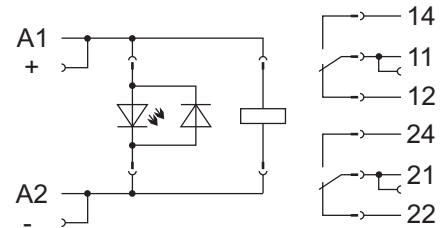
1/2

Socket with relay (2 changeover contacts) and status indication

Data sheet



Similar photo



Description	Item-No.	Pack.-unit pcs																																																			
Socket with relay, DC 60 V, 2 changeover contacts	788-314	1																																																			
<ul style="list-style-type: none"> Relay socket for DIN 35 carrier rails. Status indication through pluggable LED module (red). Insulated, pluggable jumper system suitable for both coil and load side. CAGE CLAMP® S connection. Solid wires, fine-stranded wires with crimped ferrules or ultrasonically bonded wire ends can be inserted directly. Quick exchange of the relay and the status indication during maintenance, without having to detach the wiring. Safe electrical isolation in accordance with DIN VDE 0140 Part 1. <p>DC-Load limiting value graph</p> <p>Note: Inductive loads have to be attenuated by an appropriate protective circuit in order to protect relay coils and contacts !</p>	<p>Technical Data</p> <table border="1"> <tr><td>Contact material</td><td>AgNi 90/10</td></tr> <tr><td>Input nominal voltage U_N</td><td>DC 60 V</td></tr> <tr><td>Input voltage range</td><td>$U_N \pm 10 \%$</td></tr> <tr><td>Current input at U_N (20 °C)</td><td>9.4 mA</td></tr> <tr><td>Max. switching voltage</td><td>AC 250 V</td></tr> <tr><td>Max. making current (resistive)</td><td></td></tr> <tr><td>at 10 % continuous duty</td><td>4 s (AC) 15 A</td></tr> <tr><td>Max. continuous current</td><td>2 x 8 A</td></tr> <tr><td>Max. switching power (resistive)</td><td>2 x AC 2000 VA</td></tr> <tr><td>(resistive)</td><td>DC see load limiting value graph</td></tr> <tr><td>Max. number of switching operations with/without load</td><td>6 min⁻¹ / 1200 min⁻¹</td></tr> <tr><td>Operating power</td><td>400 mW_{typ.}</td></tr> <tr><td>Pull-in/dropout/bounce time_{e typ.}</td><td>7 ms / 2 ms / 3 ms</td></tr> <tr><td>Operation at normal rating</td><td>100 % continuous duty</td></tr> <tr><td>Dielectric strength</td><td></td></tr> <tr><td>contact/coil</td><td>5 kV_{rms.}</td></tr> <tr><td>open contact</td><td>1 kV_{rms.}</td></tr> <tr><td>Nominal voltage acc. to VDE 0110 Part1 / 4.97</td><td></td></tr> <tr><td>IEC 60664-1</td><td>250 V / 4 kV / 3</td></tr> <tr><td>Mechanical life</td><td>30 x 10⁶ switching operations</td></tr> <tr><td>Degree of protection</td><td>IP 20</td></tr> <tr><td>Relay type</td><td>RT 2</td></tr> <tr><td>Ambient operating temperature</td><td>-25 °C ... +50 °C</td></tr> <tr><td>Storage temperature</td><td>-40 °C ... +70 °C</td></tr> <tr><td>Dimensions (WxHxD)</td><td>(15x53*x86) mm / (0.59x2.09x3.39) in</td></tr> <tr><td></td><td>* from upper edge of DIN 35 rail</td></tr> </table>	Contact material	AgNi 90/10	Input nominal voltage U_N	DC 60 V	Input voltage range	$U_N \pm 10 \%$	Current input at U_N (20 °C)	9.4 mA	Max. switching voltage	AC 250 V	Max. making current (resistive)		at 10 % continuous duty	4 s (AC) 15 A	Max. continuous current	2 x 8 A	Max. switching power (resistive)	2 x AC 2000 VA	(resistive)	DC see load limiting value graph	Max. number of switching operations with/without load	6 min ⁻¹ / 1200 min ⁻¹	Operating power	400 mW _{typ.}	Pull-in/dropout/bounce time _{e typ.}	7 ms / 2 ms / 3 ms	Operation at normal rating	100 % continuous duty	Dielectric strength		contact/coil	5 kV _{rms.}	open contact	1 kV _{rms.}	Nominal voltage acc. to VDE 0110 Part1 / 4.97		IEC 60664-1	250 V / 4 kV / 3	Mechanical life	30 x 10 ⁶ switching operations	Degree of protection	IP 20	Relay type	RT 2	Ambient operating temperature	-25 °C ... +50 °C	Storage temperature	-40 °C ... +70 °C	Dimensions (WxHxD)	(15x53*x86) mm / (0.59x2.09x3.39) in		* from upper edge of DIN 35 rail
Contact material	AgNi 90/10																																																				
Input nominal voltage U_N	DC 60 V																																																				
Input voltage range	$U_N \pm 10 \%$																																																				
Current input at U_N (20 °C)	9.4 mA																																																				
Max. switching voltage	AC 250 V																																																				
Max. making current (resistive)																																																					
at 10 % continuous duty	4 s (AC) 15 A																																																				
Max. continuous current	2 x 8 A																																																				
Max. switching power (resistive)	2 x AC 2000 VA																																																				
(resistive)	DC see load limiting value graph																																																				
Max. number of switching operations with/without load	6 min ⁻¹ / 1200 min ⁻¹																																																				
Operating power	400 mW _{typ.}																																																				
Pull-in/dropout/bounce time _{e typ.}	7 ms / 2 ms / 3 ms																																																				
Operation at normal rating	100 % continuous duty																																																				
Dielectric strength																																																					
contact/coil	5 kV _{rms.}																																																				
open contact	1 kV _{rms.}																																																				
Nominal voltage acc. to VDE 0110 Part1 / 4.97																																																					
IEC 60664-1	250 V / 4 kV / 3																																																				
Mechanical life	30 x 10 ⁶ switching operations																																																				
Degree of protection	IP 20																																																				
Relay type	RT 2																																																				
Ambient operating temperature	-25 °C ... +50 °C																																																				
Storage temperature	-40 °C ... +70 °C																																																				
Dimensions (WxHxD)	(15x53*x86) mm / (0.59x2.09x3.39) in																																																				
	* from upper edge of DIN 35 rail																																																				

Relay Socket with Small Switching Relay

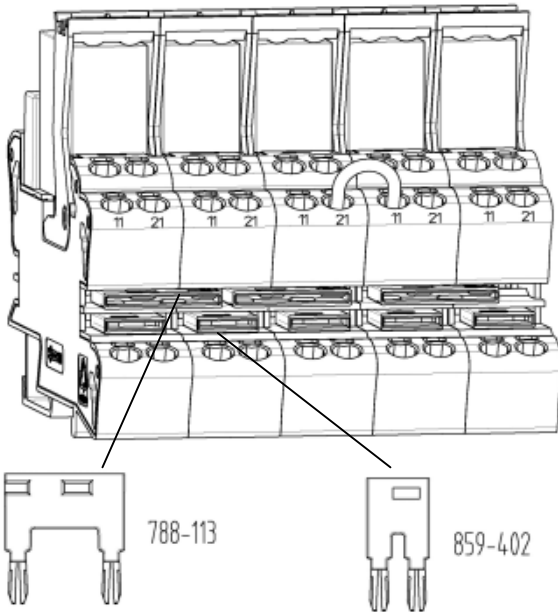
2/2

Socket with relay (2 changeover contacts) and status indication

Data sheet

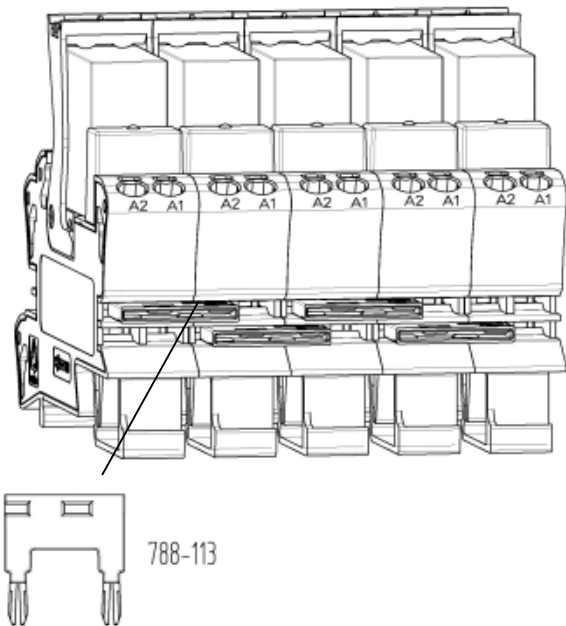
Commoning possibilities on the contact side:

- relay internal contacts 11/21
- relay spanning contacts 11/11



Commoning possibilities on the coil side:

- contacts A2/A2



Wire connection	CAGE CLAMP® S 0,34-2,5 mm ² / AWG 22-12
Stripped length	9-10 mm / 0.37 in
Standards / prescriptions	DIN VDE 0140 Part1, DIN EN 61140 DIN VDE 0160, EN 50178 Class of protection II
Approvals	cUL _{us} UL508 / CSA22.2 E175199 Only use replacement relay 788-164 for UL applications (see accessories)
Accessories:	
Comb type jumper bar	
18 A, 2-way	788-113
18 A, 3-way	788-114
18 A, 4-way	788-115
18 A, 6-way	788-116
18 A, 8-way	788-117
18 A, 2-way	859-402
Operat. indication DC 48-60 V	788-121
Relay RT2, 2 CO	788-164
WMB Multi marking system	(General catalogue W3 Vol.1 Chapt.8)