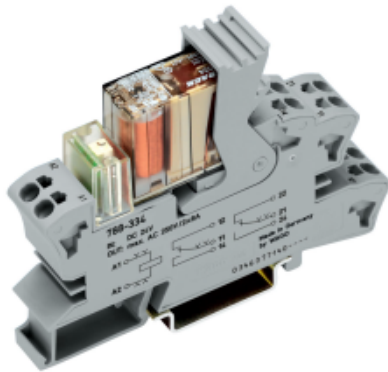


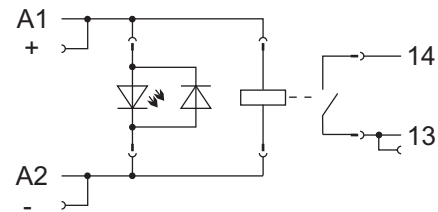
Relay Socket with Small Switching Relay

Socket with relay (1 make contact) und status indication

Data sheet



Similar photo



Description	Item-No.	Pack.-unit pcs																																																																	
Socket with relay RP3SL, DC 24 V, 1 make contact	788-355	1																																																																	
<ul style="list-style-type: none"> Relay socket for DIN 35 carrier rails. Status indication through pluggable LED module (red). Insulated, pluggable jumper system suitable for both coil and load side. CAGE CLAMP® S connection. Solid wires, fine-stranded wires with crimped ferrules or ultrasonically bonded wire ends can be inserted directly Quick exchange of the relay and the status indication during maintenance, without having to detach the wiring. Safe electrical isolation in acc. with DIN VDE 0140 Part 1. Particularly for switching of high peak inrush currents of lamp loads. Application in lighting systems, with motor controls and in building installations. Contact life at different lamp loads: <table border="1" data-bbox="164 1688 675 1895"> <thead> <tr> <th>Load</th> <th>Switching operations</th> </tr> </thead> <tbody> <tr> <td>12 A, AC 250 V, cos φ = 1</td> <td>3 x 10⁵</td> </tr> <tr> <td>TV 8 acc. to UL508</td> <td>25 x 10³</td> </tr> <tr> <td>2500 W, AC 230 V Halogen lamp</td> <td>>10⁴</td> </tr> <tr> <td>1000 W, AC 250 V Incandescent lamp</td> <td>2.3 x 10⁵</td> </tr> <tr> <td>3000 W, AC 250 V Incandescent lamp</td> <td>3.6 x 10⁴</td> </tr> <tr> <td>1500 VA, Fluorescent lamp 163 µF</td> <td>10⁴</td> </tr> </tbody> </table> <p>Note: Inductive loads have to be attenuated by an appropriate protective circuit in order to protect relay coils and contacts !</p>	Load	Switching operations	12 A, AC 250 V, cos φ = 1	3 x 10 ⁵	TV 8 acc. to UL508	25 x 10 ³	2500 W, AC 230 V Halogen lamp	>10 ⁴	1000 W, AC 250 V Incandescent lamp	2.3 x 10 ⁵	3000 W, AC 250 V Incandescent lamp	3.6 x 10 ⁴	1500 VA, Fluorescent lamp 163 µF	10 ⁴	<p>Technical Data</p> <table border="1"> <tbody> <tr><td>Contact material</td><td>AgSnO₂</td></tr> <tr><td>Input nominal voltage U_N</td><td>DC 24 V</td></tr> <tr><td>Input voltage range</td><td>U_N-15 %...+20 %</td></tr> <tr><td>Current input at U_N (20 °C)</td><td>21.8 mA</td></tr> <tr><td>Max. switching voltage</td><td>AC 250 V</td></tr> <tr><td>Max. making current</td><td>4 s (AC) 25 A</td></tr> <tr><td>Peak inrush current</td><td>20 ms / 120 A</td></tr> <tr><td>Max. continuous current</td><td>16 A</td></tr> <tr><td>Max. switching power (resistive)</td><td>AC 4000 VA</td></tr> <tr><td>(resistive)</td><td>DC see load limiting value graph</td></tr> <tr><td>Recommended min. load</td><td>>100 mA / AC/DC 12 V</td></tr> <tr><td>Operating power</td><td>500 mW</td></tr> <tr><td>Pull-in/dropout/bounce time_{e,typ.}</td><td>8 ms / 2 ms / 2 ms</td></tr> <tr><td>Operation at normal rating</td><td>100 % continuous duty</td></tr> <tr><td>Dielectric strength contact/coil</td><td>4 kV</td></tr> <tr><td>open contact</td><td>1 kV</td></tr> <tr><td>Nominal voltage acc. to VDE 0110 Part1 / 4.97</td><td></td></tr> <tr><td>IEC 60664-1</td><td>250 V / 4 kV / 3</td></tr> <tr><td>Mechanical life at max. load (resistive)</td><td>30 x 10⁶ switching operations</td></tr> <tr><td>at max. lamp load</td><td>see table lamp loads</td></tr> <tr><td>Degree of protection</td><td>IP 20</td></tr> <tr><td>Relay type</td><td>RP3SL</td></tr> <tr><td>Ambient operating temperature</td><td>-25 °C ... +50 °C</td></tr> <tr><td>Storage temperature</td><td>-40 °C ... +70 °C</td></tr> <tr><td>Dimensions (WxHxD)</td><td>(15 x 63* x 86) mm / (0.59x2.48x3.39) in</td></tr> <tr><td></td><td>* from upper edge of DIN 35 rail</td></tr> </tbody> </table>	Contact material	AgSnO ₂	Input nominal voltage U _N	DC 24 V	Input voltage range	U _N -15 %...+20 %	Current input at U _N (20 °C)	21.8 mA	Max. switching voltage	AC 250 V	Max. making current	4 s (AC) 25 A	Peak inrush current	20 ms / 120 A	Max. continuous current	16 A	Max. switching power (resistive)	AC 4000 VA	(resistive)	DC see load limiting value graph	Recommended min. load	>100 mA / AC/DC 12 V	Operating power	500 mW	Pull-in/dropout/bounce time _{e,typ.}	8 ms / 2 ms / 2 ms	Operation at normal rating	100 % continuous duty	Dielectric strength contact/coil	4 kV	open contact	1 kV	Nominal voltage acc. to VDE 0110 Part1 / 4.97		IEC 60664-1	250 V / 4 kV / 3	Mechanical life at max. load (resistive)	30 x 10 ⁶ switching operations	at max. lamp load	see table lamp loads	Degree of protection	IP 20	Relay type	RP3SL	Ambient operating temperature	-25 °C ... +50 °C	Storage temperature	-40 °C ... +70 °C	Dimensions (WxHxD)	(15 x 63* x 86) mm / (0.59x2.48x3.39) in		* from upper edge of DIN 35 rail
Load	Switching operations																																																																		
12 A, AC 250 V, cos φ = 1	3 x 10 ⁵																																																																		
TV 8 acc. to UL508	25 x 10 ³																																																																		
2500 W, AC 230 V Halogen lamp	>10 ⁴																																																																		
1000 W, AC 250 V Incandescent lamp	2.3 x 10 ⁵																																																																		
3000 W, AC 250 V Incandescent lamp	3.6 x 10 ⁴																																																																		
1500 VA, Fluorescent lamp 163 µF	10 ⁴																																																																		
Contact material	AgSnO ₂																																																																		
Input nominal voltage U _N	DC 24 V																																																																		
Input voltage range	U _N -15 %...+20 %																																																																		
Current input at U _N (20 °C)	21.8 mA																																																																		
Max. switching voltage	AC 250 V																																																																		
Max. making current	4 s (AC) 25 A																																																																		
Peak inrush current	20 ms / 120 A																																																																		
Max. continuous current	16 A																																																																		
Max. switching power (resistive)	AC 4000 VA																																																																		
(resistive)	DC see load limiting value graph																																																																		
Recommended min. load	>100 mA / AC/DC 12 V																																																																		
Operating power	500 mW																																																																		
Pull-in/dropout/bounce time _{e,typ.}	8 ms / 2 ms / 2 ms																																																																		
Operation at normal rating	100 % continuous duty																																																																		
Dielectric strength contact/coil	4 kV																																																																		
open contact	1 kV																																																																		
Nominal voltage acc. to VDE 0110 Part1 / 4.97																																																																			
IEC 60664-1	250 V / 4 kV / 3																																																																		
Mechanical life at max. load (resistive)	30 x 10 ⁶ switching operations																																																																		
at max. lamp load	see table lamp loads																																																																		
Degree of protection	IP 20																																																																		
Relay type	RP3SL																																																																		
Ambient operating temperature	-25 °C ... +50 °C																																																																		
Storage temperature	-40 °C ... +70 °C																																																																		
Dimensions (WxHxD)	(15 x 63* x 86) mm / (0.59x2.48x3.39) in																																																																		
	* from upper edge of DIN 35 rail																																																																		

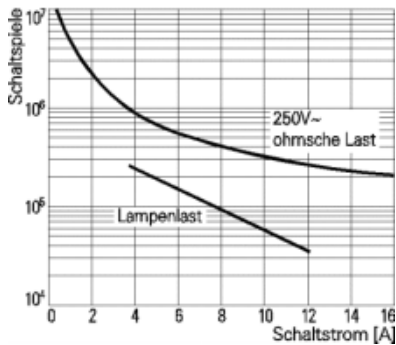
Relay Socket with Small Switching Relay

2/2

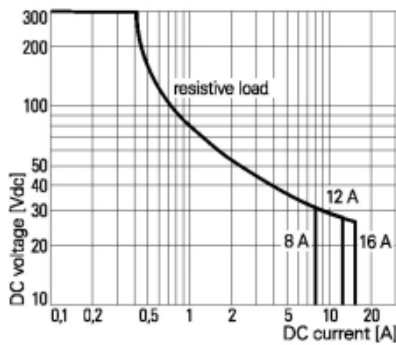
Socket with relay (1 make contact) und status indication

Data sheet

Life characteristic

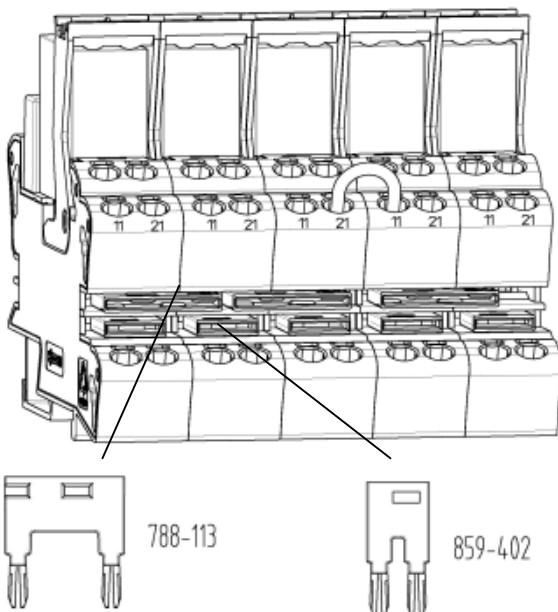


DC Load limiting value graph



Commoning possibilities on the contact side:

- relay internal contacts 11/21
- relay spanning contacts 11/11



Wire connection

CAGE CLAMP® S

Stripped length

0,34-2,5 mm² / AWG 22-12
9-10 mm / 0.37 in

Standards / prescriptions

DIN VDE 0140 Part1, DIN EN 61140
DIN VDE 0160, EN 50178
Class of protection II

Accessories:

Comb type jumper bar

18 A, 2-way 788-113

18 A, 3-way 788-114

18 A, 4-way 788-115

18 A, 6-way 788-116

18 A, 8-way 788-117

18 A, 2-way 859-402

Operat. indication DC 12-24 V 788-120

Relay RP3SL, 1 make contact 788-194

WMB Multi marking system (General catalogue W3 Vol.1 Chapt.8)

Commoning possibilities on the coil side:

- contacts A2/A2

