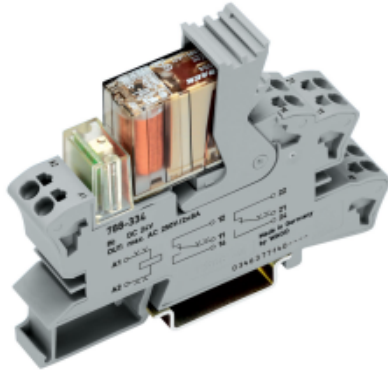


# Relay Socket with Small Switching Relay

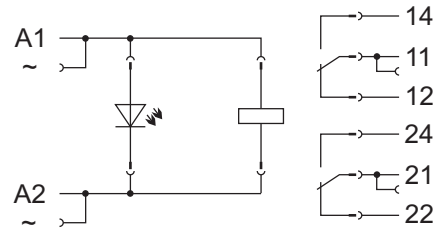
1/2

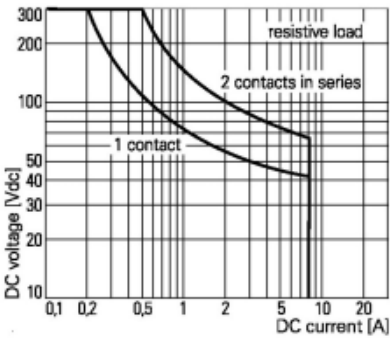
Socket with relay (2 changeover contacts) and status indication

Data sheet



Similar photo



Description	Item-No.	Pack.-unit pcs																																																			
Socket with relay, AC 230 V, 2 changeover contacts	788-538	1																																																			
<ul style="list-style-type: none"> <li>• Relay socket for DIN 35 carrier rails.</li> <li>• Status indication through pluggable LED module (red).</li> <li>• Insulated, pluggable jumper system suitable for both coil and load side.</li> <li>• CAGE CLAMP® S connection. Solid wires, fine-stranded wires with crimped ferrules or ultrasonically bonded wire ends can be inserted directly.</li> <li>• Quick exchange of the relay and the status indication during maintenance, without having to detach the wiring.</li> <li>• Safe electrical isolation in accordance with DIN VDE 0140 Part 1.</li> </ul> <p>DC-Load limiting value graph</p>  <p><b>Note:</b> Inductive loads have to be attenuated by an appropriate protective circuit in order to protect relay coils and contacts !</p>	<p><b>Technical Data</b></p> <table border="1"> <tr><td>Contact material</td><td>AgCdO</td></tr> <tr><td>Input nominal voltage <math>U_N</math></td><td>AC 230 V</td></tr> <tr><td>Input voltage range</td><td><math>U_N \pm 10\%</math></td></tr> <tr><td>Current input at <math>U_N</math> (20 °C)</td><td>5.6 mA</td></tr> <tr><td>Max. switching voltage</td><td>AC 250 V</td></tr> <tr><td>Max. making current (resistive)</td><td></td></tr> <tr><td>at 10 % continuous duty</td><td>4 s (AC) 14 A</td></tr> <tr><td>Max. continuous current</td><td>2 x 8 A</td></tr> <tr><td>Max. switching power (resistive)</td><td>2 x AC 2000 VA</td></tr> <tr><td>(resistive)</td><td>DC see load limiting value graph</td></tr> <tr><td>Max. number of switching operations with/without load</td><td>10 min<sup>-1</sup> / 1200 min<sup>-1</sup></td></tr> <tr><td>Operating power</td><td>500 mW</td></tr> <tr><td>Pull-in/dropout/bounce time<sub>e typ.</sub></td><td>9 ms / 3 ms / 3 ms</td></tr> <tr><td>Operation at normal rating</td><td>100 % continuous duty</td></tr> <tr><td>Dielectric strength</td><td></td></tr> <tr><td>contact/coil</td><td>4 kV<sub>rms</sub></td></tr> <tr><td>open contact</td><td>1 kV<sub>rms</sub></td></tr> <tr><td>Nominal voltage acc. to VDE 0110 Part1 / 4.97</td><td></td></tr> <tr><td>IEC 60664-1</td><td>250 V / 4 kV / 3</td></tr> <tr><td>Mechanical life</td><td>20 x 10<sup>6</sup> switching operations</td></tr> <tr><td>Degree of protection</td><td>IP 20</td></tr> <tr><td>Relay type</td><td>RP II/2</td></tr> <tr><td>Ambient operating temperature</td><td>-25 °C ... +50 °C</td></tr> <tr><td>Storage temperature</td><td>-40 °C ... +70 °C</td></tr> <tr><td>Dimensions (WxHxD)</td><td>(15x63*x86) mm / (0.59x2.48x3.39) in</td></tr> <tr><td></td><td>* from upper edge of DIN 35 rail</td></tr> </table>	Contact material	AgCdO	Input nominal voltage $U_N$	AC 230 V	Input voltage range	$U_N \pm 10\%$	Current input at $U_N$ (20 °C)	5.6 mA	Max. switching voltage	AC 250 V	Max. making current (resistive)		at 10 % continuous duty	4 s (AC) 14 A	Max. continuous current	2 x 8 A	Max. switching power (resistive)	2 x AC 2000 VA	(resistive)	DC see load limiting value graph	Max. number of switching operations with/without load	10 min <sup>-1</sup> / 1200 min <sup>-1</sup>	Operating power	500 mW	Pull-in/dropout/bounce time <sub>e typ.</sub>	9 ms / 3 ms / 3 ms	Operation at normal rating	100 % continuous duty	Dielectric strength		contact/coil	4 kV <sub>rms</sub>	open contact	1 kV <sub>rms</sub>	Nominal voltage acc. to VDE 0110 Part1 / 4.97		IEC 60664-1	250 V / 4 kV / 3	Mechanical life	20 x 10 <sup>6</sup> switching operations	Degree of protection	IP 20	Relay type	RP II/2	Ambient operating temperature	-25 °C ... +50 °C	Storage temperature	-40 °C ... +70 °C	Dimensions (WxHxD)	(15x63*x86) mm / (0.59x2.48x3.39) in		* from upper edge of DIN 35 rail
Contact material	AgCdO																																																				
Input nominal voltage $U_N$	AC 230 V																																																				
Input voltage range	$U_N \pm 10\%$																																																				
Current input at $U_N$ (20 °C)	5.6 mA																																																				
Max. switching voltage	AC 250 V																																																				
Max. making current (resistive)																																																					
at 10 % continuous duty	4 s (AC) 14 A																																																				
Max. continuous current	2 x 8 A																																																				
Max. switching power (resistive)	2 x AC 2000 VA																																																				
(resistive)	DC see load limiting value graph																																																				
Max. number of switching operations with/without load	10 min <sup>-1</sup> / 1200 min <sup>-1</sup>																																																				
Operating power	500 mW																																																				
Pull-in/dropout/bounce time <sub>e typ.</sub>	9 ms / 3 ms / 3 ms																																																				
Operation at normal rating	100 % continuous duty																																																				
Dielectric strength																																																					
contact/coil	4 kV <sub>rms</sub>																																																				
open contact	1 kV <sub>rms</sub>																																																				
Nominal voltage acc. to VDE 0110 Part1 / 4.97																																																					
IEC 60664-1	250 V / 4 kV / 3																																																				
Mechanical life	20 x 10 <sup>6</sup> switching operations																																																				
Degree of protection	IP 20																																																				
Relay type	RP II/2																																																				
Ambient operating temperature	-25 °C ... +50 °C																																																				
Storage temperature	-40 °C ... +70 °C																																																				
Dimensions (WxHxD)	(15x63*x86) mm / (0.59x2.48x3.39) in																																																				
	* from upper edge of DIN 35 rail																																																				

## Relay Socket with Small Switching Relay

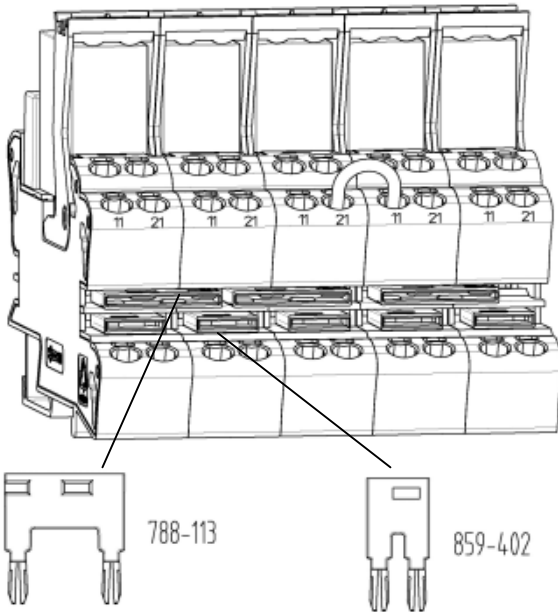
2/2

Socket with relay (2 changeover contacts) and status indication

**Data sheet**

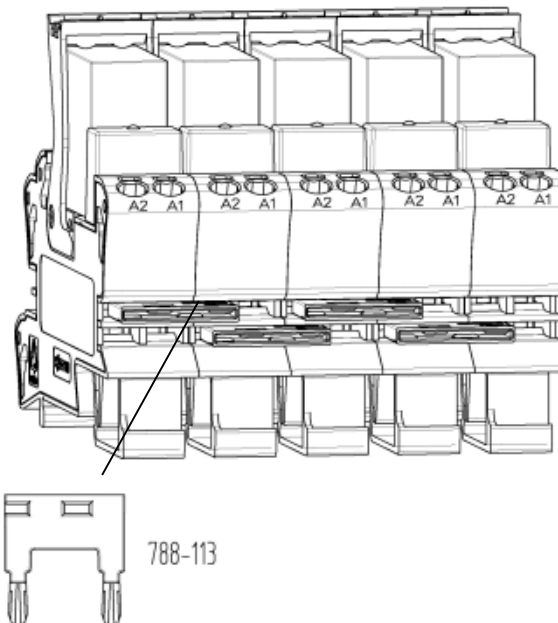
### Commoning possibilities on the contact side:

- relay internal contacts 11/21
- relay spanning contacts 11/11



### Commoning possibilities on the coil side:

- contacts A2/A2



Wire connection	CAGE CLAMP® S 0,34-2,5 mm <sup>2</sup> / AWG 22-12
Stripped length	9-10 mm / 0.37 in
Standards / prescriptions	DIN VDE 0140 Part1, DIN EN 61140 DIN VDE 0160, EN 50178 Class of protection II
Approvals	cUL <sub>us</sub> UL508 / CSA22.2 E175199 Ambient operating temp. -25°C...+40°C Only use replacement relay 788-193 for UL applications (see accessories)

### Accessories:

Comb type jumper bar	
18 A, 2-way	788-113
18 A, 3-way	788-114
18 A, 4-way	788-115
18 A, 6-way	788-116
18 A, 8-way	788-117
18 A, 2-way	859-402
Operation indication AC 230 V	788-125
Relay RP II/2, 2 CO	788-193
WMB Multi marking system	(General catalogue W3 Vol.1 Chapt.8)