

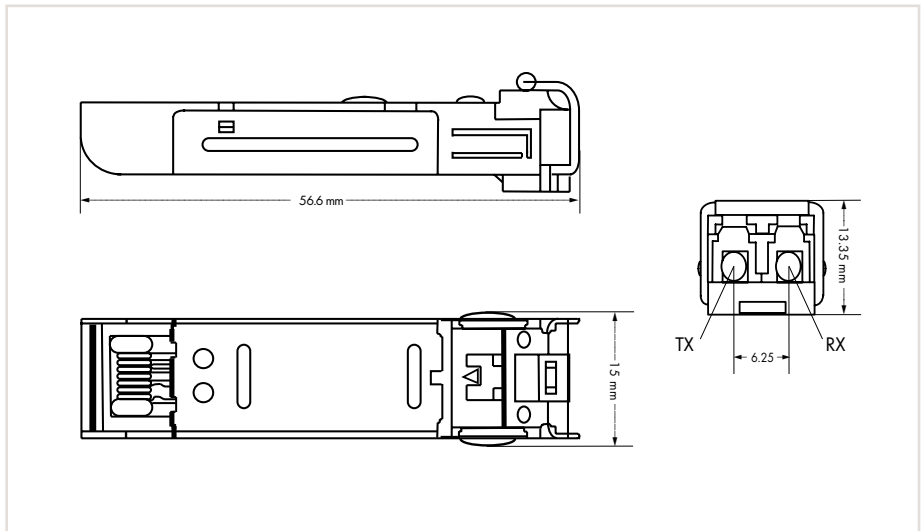
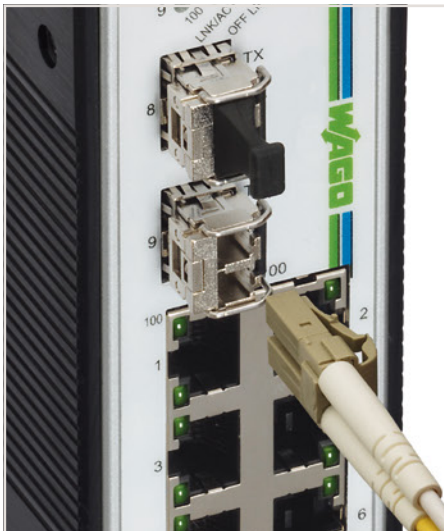
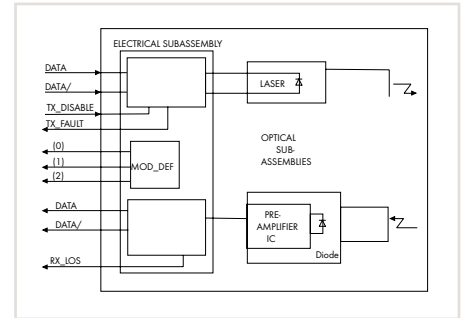
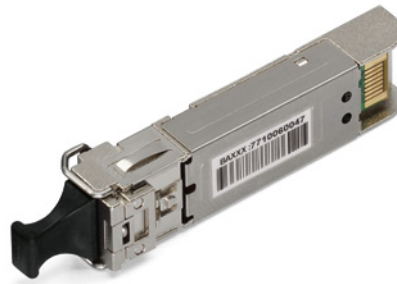
Industrial Switches – Accessories

SFP Modules



Features:

- Duplex LC optical connector
- Small Form-Factor Pluggable (SFP) industry-standard design
- Compliant with Fast ETHERNET standard and Gigabit ETHERNET standard IEEE802.3z
- Differential LVPECL inputs and outputs
- Supply voltage: 3.3 V
- TTL signal detect indicator
- Hot-pluggable capability



Item Description
Version
Item No.
Order Text

SFP Module; 100BASE
FX Multi-Mode 1310 nm LC; 2 km
852-201/107-002
SFP Module 2: 1310nm; 100BASE-FX Multi-Mode LC; 2 km

SFP Module 1000BASE; Extended temperature; DDM
SX Multi-Mode 850 nm LC; 0.55 km
852-1200
SFP Module 1000BASE; SX Multi-Mode 850 nm LC; 0.55 km; EXT; DDM

Technical Data
Wavelength
Multi-mode fiber
Lengths (max.)
Laser type
Other
Surrounding air temperature (operation)
Dimensions W x H x D
Data sheet and further information, see:

1310 nm
62.5/125 µm; 50/125 µm
2 km
Laser class 1 per EN 60825-1
-40 ... +70 °C
13.4 x 13.3 x 56.6 mm
wago.com/852-201/107-002

850 nm
62.5/125 µm; 50/125 µm
300 m; 550 m
Laser class 1 per EN 60825-1
Supports "Digital Diagnostics Monitoring"
-40 ... +85 °C
13.4 x 13.3 x 56.6 mm
wago.com/852-1200

Item Description
Version
Item No.
Order Text

SFP Module; 100BASE
FX Single-Mode 1310 nm LC; 30 km
852-201/107-030
SFP Module 30: 1310nm; 100BASE-FX Single-Mode LC; 30 km

SFP Module 1000BASE; Extended temperature; DDM
LX Single-Mode 1310 nm LC; 10 km
852-1210
SFP Module 1000BASE; LX Single-Mode 1310 nm LC; 10 km; EXT; DDM

ZX Single-Mode 1550 nm LC; 80 km
852-1280
SFP Module 1000BASE; ZX Single-Mode 1550 nm LC; 80 km; EXT; DDM

Technical Data
Wavelength
Single-mode fiber
Lengths (max.)
Laser type
Other
Surrounding air temperature (operation)
Dimensions W x H x D
Data sheet and further information, see:

1310 nm
9/125 µm
30 km
Laser class 1 per EN 60825-1
0 °C ... +60 °C
13.4 x 13.3 x 56.6 mm
wago.com/852-201/107-030

1310 nm	1550 nm
9/125 µm	
10 km	80 km
Laser class 1 per EN 60825-1	
Supports "Digital Diagnostics Monitoring"	
-40 ... +85 °C	
13.4 x 13.3 x 56.6 mm	
wago.com/852-1210	wago.com/852-1280