

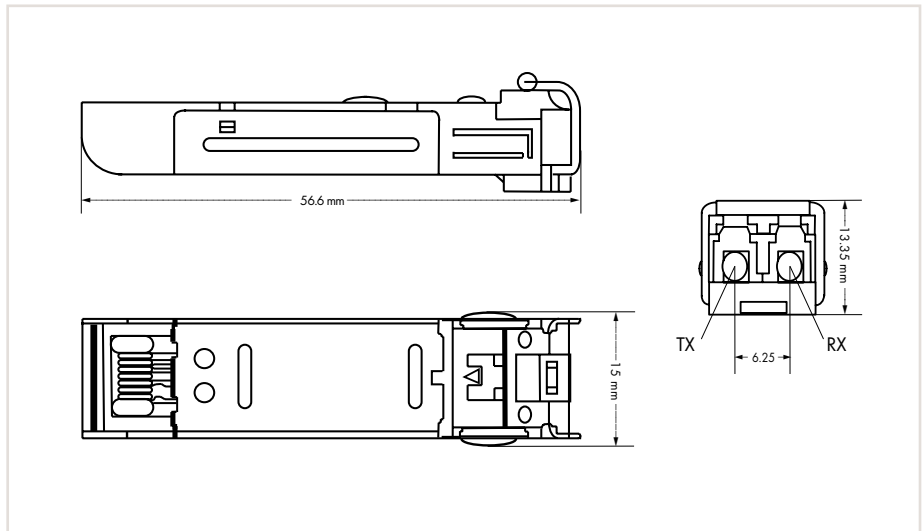
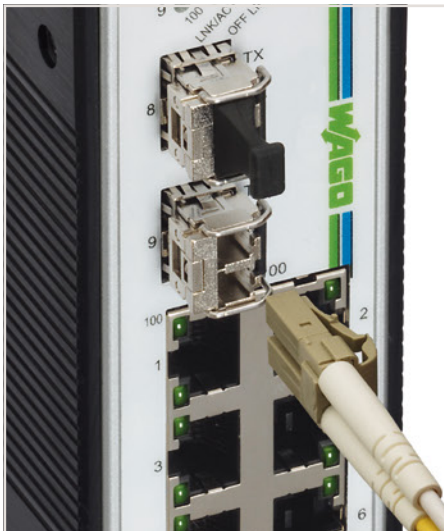
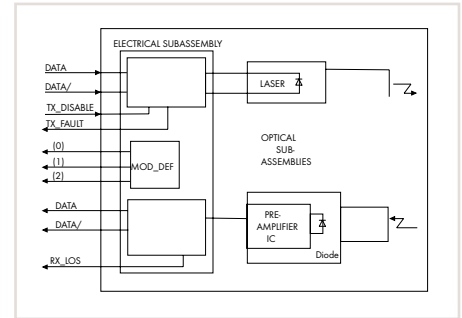
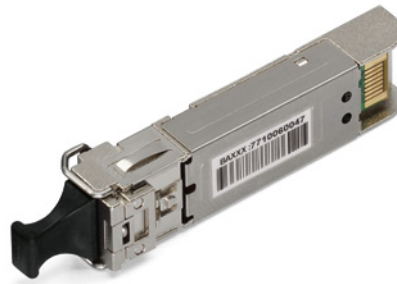
# Industrial Switches – Accessories

## SFP Modules



### Features:

- Duplex LC optical connector
- Small Form-Factor Pluggable (SFP) industry-standard design
- Compliant with Fast ETHERNET standard and Gigabit ETHERNET standard IEEE802.3z
- Differential LVPECL inputs and outputs
- Supply voltage: 3.3 V
- TTL signal detect indicator
- Hot-pluggable capability



<b>Item Description</b>
<b>Version</b>
<b>Item No.</b>
<b>Order Text</b>

<b>SFP Module; 100BASE</b>
<b>FX Multi-Mode 1310 nm LC; 2 km</b>
<b>852-201/107-002</b>
SFP Module 2: 1310nm; 100BASE-FX Multi-Mode LC; 2 km

<b>SFP Module 1000BASE; Extended temperature; DDM</b>
<b>SX Multi-Mode 850 nm LC; 0.55 km</b>
<b>852-1200</b>
SFP Module 1000BASE; SX Multi-Mode 850 nm LC; 0.55 km; EXT; DDM

<b>Technical Data</b>
Wavelength
Multi-mode fiber
Lengths (max.)
Laser type
Other
Surrounding air temperature (operation)
Dimensions W x H x D
Data sheet and further information, see:

1310 nm
62.5/125 µm; 50/125 µm
2 km
Laser class 1 per EN 60825-1
-40 ... +70 °C
13.4 x 13.3 x 56.6 mm
<a href="http://wago.com/852-201/107-002">wago.com/852-201/107-002</a>

850 nm
62.5/125 µm; 50/125 µm
300 m; 550 m
Laser class 1 per EN 60825-1
Supports "Digital Diagnostics Monitoring"
-40 ... +85 °C
13.4 x 13.3 x 56.6 mm
<a href="http://wago.com/852-1200">wago.com/852-1200</a>

<b>Item Description</b>
<b>Version</b>
<b>Item No.</b>
<b>Order Text</b>

<b>SFP Module; 100BASE</b>
<b>FX Single-Mode 1310 nm LC; 30 km</b>
<b>852-201/107-030</b>
SFP Module 30: 1310nm; 100BASE-FX Single-Mode LC; 30 km

<b>SFP Module 1000BASE; Extended temperature; DDM</b>
<b>LX Single-Mode 1310 nm LC; 10 km</b>
<b>852-1210</b>
SFP Module 1000BASE; LX Single-Mode 1310 nm LC; 10 km; EXT; DDM

<b>ZX Single-Mode 1550 nm LC; 80 km</b>
<b>852-1280</b>
SFP Module 1000BASE; ZX Single-Mode 1550 nm LC; 80 km; EXT; DDM

<b>Technical Data</b>
Wavelength
Single-mode fiber
Lengths (max.)
Laser type
Other
Surrounding air temperature (operation)
Dimensions W x H x D
Data sheet and further information, see:

1310 nm
9/125 µm
30 km
Laser class 1 per EN 60825-1
0 °C ... +60 °C
13.4 x 13.3 x 56.6 mm
<a href="http://wago.com/852-201/107-030">wago.com/852-201/107-030</a>

1310 nm	1550 nm
9/125 µm	
10 km	80 km
Laser class 1 per EN 60825-1	
Supports "Digital Diagnostics Monitoring"	
-40 ... +85 °C	
13.4 x 13.3 x 56.6 mm	
<a href="http://wago.com/852-1210">wago.com/852-1210</a>	<a href="http://wago.com/852-1280">wago.com/852-1280</a>